

panel mounting socket outlet, straight - flange 75x75,
fixing centers 60x60

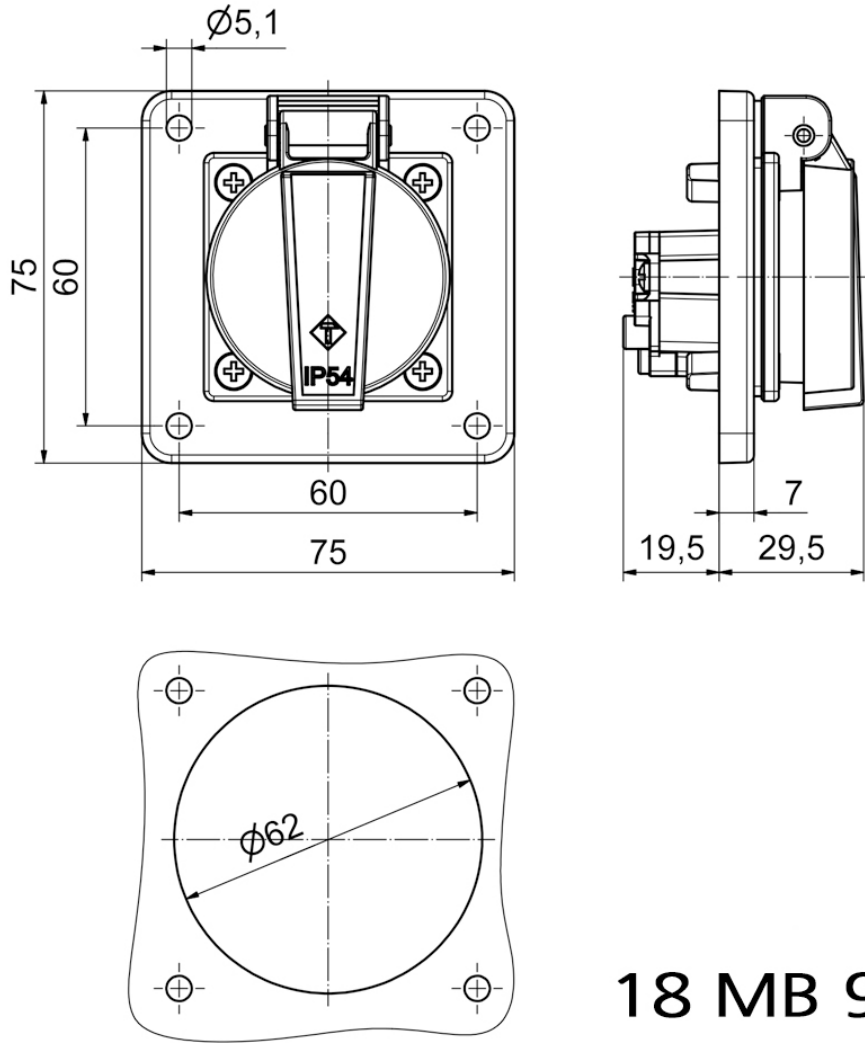


Product description	
BALS-Prd.-Nr	7112
EAN	4024941071123
Product group	Domestic panel mounting socket outlet, straight, System F German standard
Current	16A
Number of poles	3p
Arrangement of the phases	2P+PE
Voltage	250V
Frequency	alternating current (AC)

Product description	
Protection degree	IP68
Colour code	blue
Colour of appliance	Enclosure blue, Hinged lid blue, Bayonet ring grey
Connection design	head-screw terminal
Cable entry	null
Height	75mm
Width	75mm
Depth	78mm
Flange size vertical in mm	75mm
Flange size horizontal in mm	75mm
Drill hole distance vertical in mm	60mm
Drill hole distance horizontal in mm	60mm
Material of enclosure	Polyamide
Contacts	The contact carrier is made of high temperature resistant material, the contacts are brass nickel plated

Additional technical information	
	The connection is rear
	With hammer symbol
	With bayonet cover on strap

Logistics data	
Weight/pcs	0.12 kg / piece
Packaging	bag
Content amount	1 ST
EAN	4024941071123
Length	78 mm
Width	75 mm
Height	75 mm
Weight	0.121 kg
Volume	438.75 ccm
Packaging	carton
Content amount	10 ST
EAN	4024941959490
Length	275 mm
Width	175 mm
Height	137 mm
Weight	1.325 kg
Volume	5,737.5 ccm



18 MB 99