

connector - with screwless terminals, for harsh applications



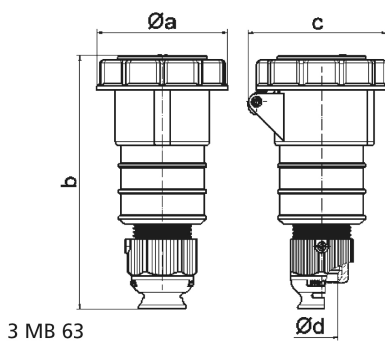
Product description	
BALS-Prd.-Nr	31247
EAN	4024941312479
product category (PG)	Quick-Connect TE-Plus Connector Multi-Grip cable gland
current (A)	32A
number of poles (P99)	5p
number of poles (P)	3p+N+PE
position of earth contact (H)	6 h
voltage (V)	200/346 up to 240/415V

Product description	
frequency (HZ)	50 and 60Hz
protection degree (SA)	IP67
colour code 1 (KF1)	red RAL 3000
Colour of appliance	Hinged lid red, Enclosure red, Bayonet ring grey, Cable gland grey
connection design (AT)	screwless spring terminals as cage clamp with Kontext-contact
maximum conductor size (LQ)	6,0 qmm
cable entry (KE)	Cable gland
Height	196mm
Width	101.5mm
Depth	106mm
material of enclosure (GM)	Polyamide
contact	The contact carrier is made of high temperature resistant material, the contacts are brass nickel plated

Additional technical information	
	For cable diameter from 13 up to max. 27 mm, Multi-Grip cable gland with gasket, integrated cable clamp and additional water evacuation openings

Logistics data	
Weight/pcs	0.397 kg / Piece
Packaging	Bag
Content amount	1 ST

Logistics data	
EAN	4024941312479
Length	106 mm
Width	101.5 mm
Height	196 mm
Weight	0.398 kg
Volume	2,108.764 ccm
Packaging	Carton
Content amount	10 ST
EAN	4024941958387
Length	330 mm
Width	216 mm
Height	260 mm
Weight	4.196 kg
Volume	17,062.5 ccm



Ampere	16	16	16	32	32	32
Polzahl	3	4	5	3	4	5
a ø	70,5	78,0	86,5	94,0	94,0	101,5
b	161,0	161,0	168,0	196,0	196,0	200,0
c	77,0	83,0	93,0	99,0	99,0	107,0
d ø	18,0	18,0	21,0	23,0	23,0	27,0
Leiter mm <sup>2</sup> min	1	1	1	2,5	2,5	2,5
Leiter mm <sup>2</sup> max	2,5	2,5	2,5	6	6	6