

Description



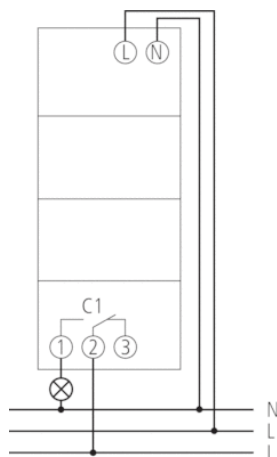
- Digital time switch with weekly program
- 1 channel
- Programming by app possible
- Safe transfer via optional Bluetooth Low Energy OBELISK top3
- Maximum manipulation security, time switch programs can only be transferred from the app to the time switch when the Bluetooth OBELISK top3 is plugged into the time switch
- 100 % compatible with top2
- DuoFix spring terminals
 - For 2 conductors each
 - Wire or strand (with or without wire end sleeve)
 - Wire diameter: 0.5 - 2.5 mm²
 - Button for releasing plug-in connection
- Text-oriented user guidance in display
 - Preset date and time
 - fully operable without mains connection
- 56 memory locations
- Interface for OBELISK top2 memory card (PC programming)
 - 2. insertable switching program
 - Copying programs
 - Storing programs
- 10 year power reserve (lithium battery)
- Zero-cross switching for relay-saving switching and high lamp loads (not with 24 V devices)
- ON-OFF switching times
- Switching preselection
- Permanent switching ON/OFF
- Integrated operating hour counter
 - Reset option
 - Service function for monitoring maintenance intervals
- Holiday program
- Display back light (can be turned off)
- Permanent switching ON/OFF
- PIN coding
- Automatic summer/winter time changeover
 - can be deactivated
 - Date rule options are already stored for Europe, the USA and other countries
 - own date rule options or changeover around set dates are available

Technical data

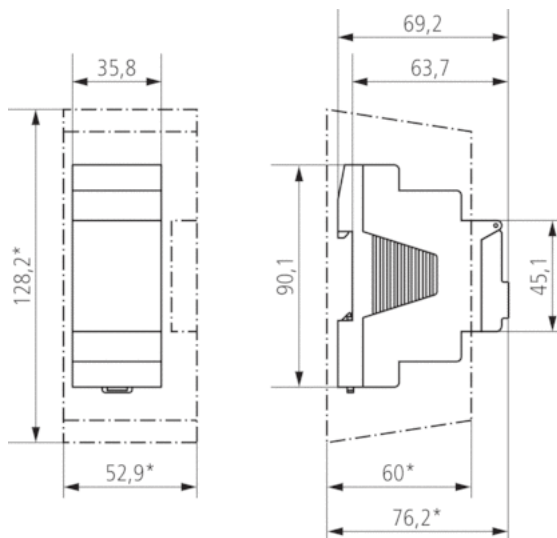
Operating voltage	230 V AC
Frequency	50 – 60 Hz
Width	2 modules
Installation type	DIN rail
Type of contact	Changeover contact
Switching output	Phase-independent
Opening width	< 3 mm
Program	Weekly program
Program functions	ON-OFF
Number of channels	1
Number of memory locations	56
Power reserve	10 years

Switching capacity at 250 V AC, $\cos \varphi = 1$	16 A
Switching capacity at 250 V AC, $\cos \varphi = 0,6$	10 A
Incandescent/halogen lamp load 230 V	2600 W
Energy saving lamps 230 V	1100 W
LED lamp < 2 W	50 W
LED lamp 2-8 W	600 W
LED lamp > 8 W	600 W
Fluorescent lamp load (conventional) not corrected	2600 VA
Fluorescent lamp load (conventional) series-corrected	2600 VA
Fluorescent lamp load (conventional) parallel-corrected	1300 VA 130 μ F
Switching capacity min.	ca. 10 mA
Shortest switching times	1 min
Time accuracy at 25 °C	typical $\pm 0,25$ s/day (quartz)
Time basis	Quartz
Stand-by consumption	$\sim 0,4$ W
Memory card supplied	–
Type of connection	DuoFix spring terminals
Keyboards	4 touch buttons
Housing and insulation material	High-temperature resistant, self-extinguishing thermoplastic
Type of protection	IP 20
Protection class	II according to EN 60 730-1
Ambient temperature	-30 °C ... +55 °C

Connection example



Scale drawings



Accessories

Bluetooth OBELISK top3

- Article number: 9070130
Details ▶ www.theben.de



Wall mounting kit 35 mm

- Article number: 9070064
Details ▶ www.theben.de



PC set OBELISK top2/3

- Article number: 9070409
Details ▶ www.theben.de



Memory card OBELISK top2

- Article number: 9070404
Details ▶ www.theben.de



Front panel kit

- Article number: 9070001
Details ▶ www.theben.de

