

SGE
1

Schaltschrank-Systeme
Enclosure Systems
Systèmes d'armoires électriques
Schakelkastsystemen
Apparatskåpsystem
Sistemi di armadi per quadri di comando
Sistemas de armarios
エンクロージャシステム



SGE
2

Elektronik-Aufbau-Systeme EL
Electronic Systems EL
Systèmes d'armoires électroniques EL
Elektronika-opbouwsystemen EL
Elektronikinbyggnadssystem EL
Sist. di allestimento EL per l'elett. industr.
Sistemas de soportes electrónicos EL
エレクトロニクスエンクロージャシステムEL



SGE
3

Schaltschrank-Klimatisierung SK
Enclosure Air-Conditioning SK
Climatisation d'armoires électriques SK
Schakelkast klimaatbeheersing SK
Apparatskåpsklimatisering SK
Apparecchi SK per la clim. di quadri di com.
Climatización para armarios SK
エンクロージャエアコンディショニング製品SK



SGE
4

Stromverteilungs-Komponenten SV
Power Distribution Components SV
Composants de distribution de courant SV
Stroomverdelingskomponenten SV
Strömfördelningskomponenter SV
Comp. SV per la distr. di corrente elettrica
Comp. para distribución de corriente SV
ブスバー配電コンポーネントSV



SGE
5

Datenübertragungs-Komponenten DK
Data Communication Components DK
Comp. de distr. de données informat. DK
Data-overdrachtskomponenten DK
Dataöverföringskomponenter DK
Comp. DK per trasmissione date e telefonia
Componentes para la transmisión de datos
データ通信コンポーネントDK



Rittal
SK



Einschublüfter	SK 3340 024 - 3342 500
Rack-mounted Fans	SK 3340 024 - 3342 500
Einschublüfter Vario	SK 3350 024 - 3352 500
Vario Rack-mounted Fans	SK 3350 024 - 3352 500
Führungsrahmen	SK 3355 100 - 3358 100
Guide Frames	SK 3355 100 - 3358 100

Einschublüfter
Rack-Mounted Fans

Montageanleitung
Assembly Instructions

Rittal-Werk
Rudolf Loh
GmbH & Co. KG
Postfach 16 62
D-35726 Herborn
Telefon
(0 27 72) 5 05-0
Telefax
(0 27 72) 5 05-319
Telex 8 73 913



Umschalten auf Perfektion RITTAL

7/95



Umschalten auf Perfektion RITTAL

English

Contents

1. Application
2. Technical Specifications
3. Installation
 - 3.1 Installation of Rack-mounted Fans
 - 3.2 Installation of Vario Rack-mounted Fans
4. Electrical Connection
5. Scope of Delivery
6. Guarantee, Safety Instructions

1. Application

Installing rack-mounted fans ensures a permanent circulation of air within the enclosure, thereby preventing the build-up of hot spots.

The customer has a wide choice of applications with the rack-mounted fan for installation in 19" enclosures or the Vario rack-mounted fan, which also facilitates flexible installation in 84 TE card frames.

2. Technical Specifications

(See table 2.1)

3. Installation

3.1 Installation of Rack-mounted Fans

Mount the rack-mounted fan on the 19" mounting angles using screws and captive nuts (see figure 3.1).

3.2 Installation of Vario Rack-mounted Fans

The Vario rack-mounted fan can only be installed in conjunction with a suitable guide frame. The Vario rack-mounted fan offers the user two different installation variants:

Mounting on the 19" mounting angles:

Mount the guide frame with mounting brackets on the 19" mounting angles using screws and M6 captive nuts (see figure 3.2). Push in the Vario rack-mounted fan, lock into position, and voilà!

Installation in an 84 TE card frame:

Dismantle the mounting brackets from the guide frame. Screw the guide frame to the card frame using the dismantled M4 screws (see figure 3.3). The depth position of the fans can be altered using the tapped strips which are pushed into the guide frame.

4. Electrical Connection

For pin assignment, please refer to figures 4.1 to 4.6.

4.1 Function of Fan Monitoring (SK 3342 500, 3352 500, 3357 100)

The fan units contain 3 axial fans with a speed monitor which responds to a 30% reduction in speed within 10 s. An evaluation circuit forms a composite signal which can be evaluated across two potential-free contacts (relays with two changeover contacts) in case of a reduction in speed or fan failure. The fault signal switches back once the unit has returned to the set speed. The error is indicated by the red LED labelled "alarm" and stored in the memory. The error is cancelled using the "reset" key. By pressing this key in normal operating mode, you can test the red "alarm" LED for correct functioning.

5. Scope of Delivery

Rack-mounted fan:

- 1 rack-mounted fan including terminal strip
- 1 set of assembly instructions

Vario rack-mounted fan:

- 1 Vario rack-mounted fan including connection adapter for guide frame
- 1 set of assembly instructions
- Guide frame:
 - 1 guide frame including connection cable
 - 2 mounting brackets (pre-assembled) including 4 x M4 screws
 - 2 x M4 tapped strips (pushed into guide frame)
 - 1 set of assembly instructions

6. Guarantee, Safety Instructions

We provide a one-year guarantee on this unit from the date of delivery, subject to correct utilisation. Within this period, if the unit is sent back to the factory, it will be repaired or replaced free of charge. The fan unit must only be used to ventilate enclosures. The manufacturer's guarantee will be invalidated by improper use or incorrect connection. We cannot accept liability for any damages caused in such cases.

Safety instructions:

- Installation regulations DIN EN 60 204.
- The relevant DIN/VDE provisions and country-specific regulations must be observed.
- **Caution:** The fan units must only be connected and disconnected with the power supply disconnected.
- **Caution:** Only one type of operating voltage must be connected. The supply voltage must comply with protection category I as defined in DIN EN 60 204, part 1.

Table 2.1

	SK 3340 230 SK 3350 230	SK 3340 115 SK 3350 115	SK 3340 024 SK 3350 024	SK 3341 230 SK 3351 230 SK 3342 230 SK 3352 230	SK 3341 115 SK 3351 115 SK 3342 115 SK 3352 115	SK 3341 024 SK 3351 024 SK 3342 024 SK 3352 024	SK 3352 500 SK 3342 500
Rated voltage	AC 230 V	AC 115 V	DC 24 V	AC 230 V	AC 115 V	DC 24 V	24 V DC
Frequency	50/60 Hz	50/60 Hz	-	50/60 Hz	50/60 Hz	-	115-230 V AC 50/60 Hz
Rated current	0.24 A/0.22 A	0.46 A/0.46 A	0.49 A	0.36 A/0.33 A	0.69 A/0.69 A	0.74 A	0.85 A
Pre-fuse	T6A	T6A	T6A	T6A	T6A	T6A	T6A
Number of fans	2	2	2	3	3	3	3
Unimpeded air throughput	320 m ³ /h	320 m ³ /h	320 m ³ /h	480 m ³ /h	480 m ³ /h	480 m ³ /h	480 m ³ /h
Operating temperature	-10 °C to +55 °C	-10 °C to +55 °C	-10 °C to +55 °C	-10 °C to +55 °C	-10 °C to +55 °C	-10 °C to +55 °C	-10 °C to +55 °C
Noise level	51 dB (A)	52 dB (A)	51 dB (A)	51 dB (A)	52 dB (A)	51 dB (A)	51 dB (A)

Abb. 3.1 Montage Einschublüfter

Fig. 3.1 Installation of the rack-mounted fan

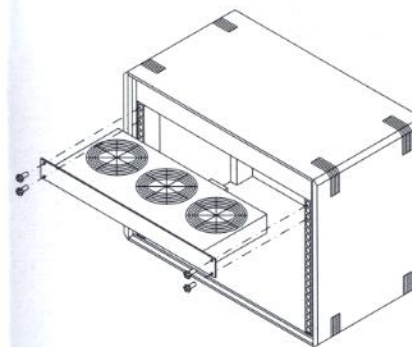


Abb. 3.2 Montage Einschublüfter Vario in die 482,6 mm-Ebene

Fig. 3.2 Installation of the Vario rack-mounted fan on the 19" mounting angles

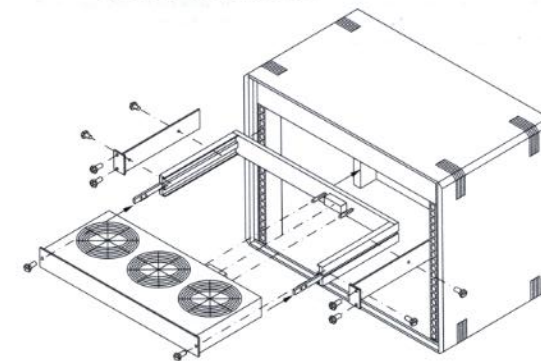


Abb. 3.3 Montage Einschublüfter Vario im Baugruppenträger 84 TE

Fig. 3.3 Installation of the Vario rack-mounted fan in the 84 TE card frame

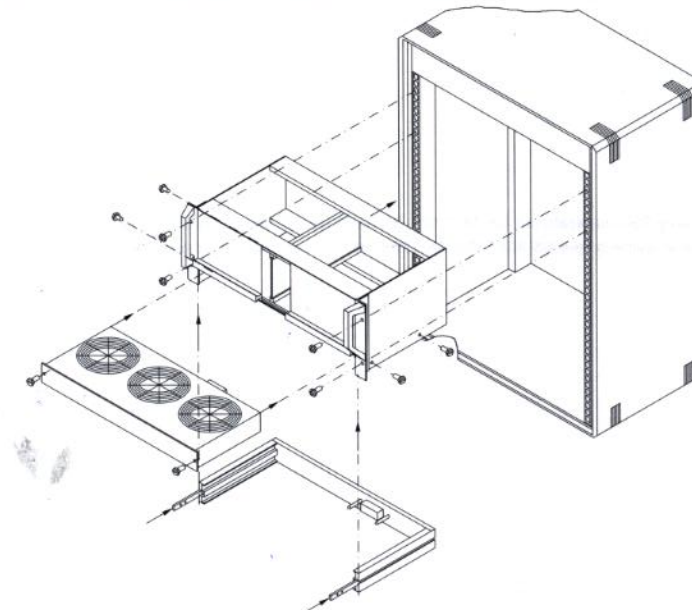
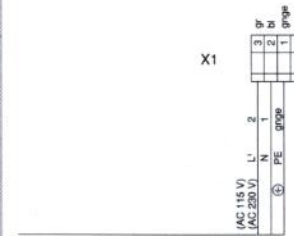


Abb. 4.1 **Anschlußbelegung
Einschublüfter**

Fig. 4.1 **Pin assignment,
rack-mounted fan**

SK 3342 230, SK 3342 115,
SK 3341 230, SK 3341 115,
SK 3340 230, SK 3340 115

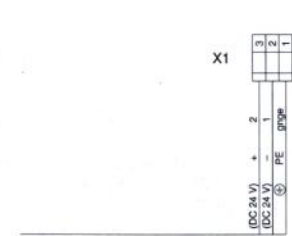


Anschlußleitung 3 x 0,75'
Connection cable 3 x 0.75'

Abb. 4.2 **Anschlußbelegung
Einschublüfter**

Fig. 4.2 **Pin assignment,
rack-mounted fan**

SK 3342 024, SK 3341 024,
SK 3340 024

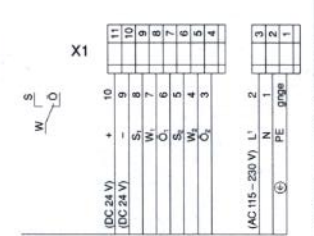


Anschlußleitung 3 x 0,75'
Connection cable 3 x 0.75'

Abb. 4.3 **Anschlußbelegung
Einschublüfter mit
Überwachung**

Fig. 4.3 **Pin assignment,
rack-mounted fan
with monitor**

SK 3342 500



Anschlußleitung 12 x 0,75'
Connection cable 12 x 0.75'

Abb. 4.4 **Anschlußbelegung Führungsrahmen
SK 3355 100 für Einschublüfter Vario**

Fig. 4.4 **Pin assignment of guide frame SK 3355 100
for Vario rack-mounted fan**

SK 3350 230, SK 3351 230, SK 3352 230,
SK 3350 115, SK 3351 115, SK 3352 115



Abb. 4.6 **Anschlußbelegung Führungsrahmen SK 3357 100, SK 3358 100 für Einschublüfter Vario**

Fig. 4.6 **Pin assignment of guide frame SK 3357 100, SK 3358 100 for Vario rack-mounted fan
SK 3352 500**

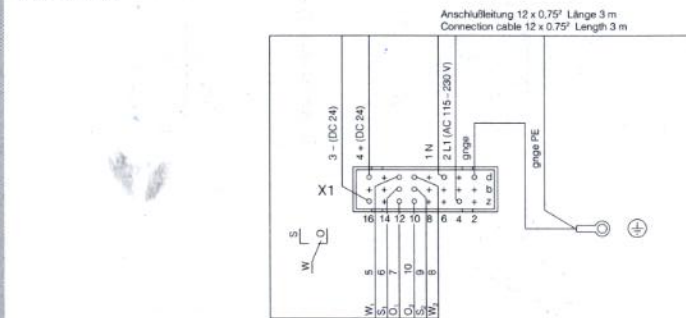


Abb. 4.5 **Anschlußbelegung Führungsrahmen SK 3356 100
für Einschublüfter**

Fig. 4.5 **Pin assignment of
guide frame SK 3356 100
for rack-mounted fan**

SK 3350 024, SK 3351 024, SK 3352 024

