

DII gG 25A/500V



Specifications

ETI Code	002312407
Description	DII gG 25A/500V
Class name	Fuse link
Type	D
Size	DII
Rated current (A)	25A
Rated AC voltage (V)	500V
Rated DC voltage (V)	250V
Characteristics	gG
Breaking capacity AC (kA)	50kA
Breaking capacity DC (kA)	8kA
fuse type	D
Indicator	Top fuse status indicator
Power dissipation (W)	3.3W
Standards	DIN EN 60269-1,DIN EN 60269-3
efuse	1

Online product page 

Other documentation

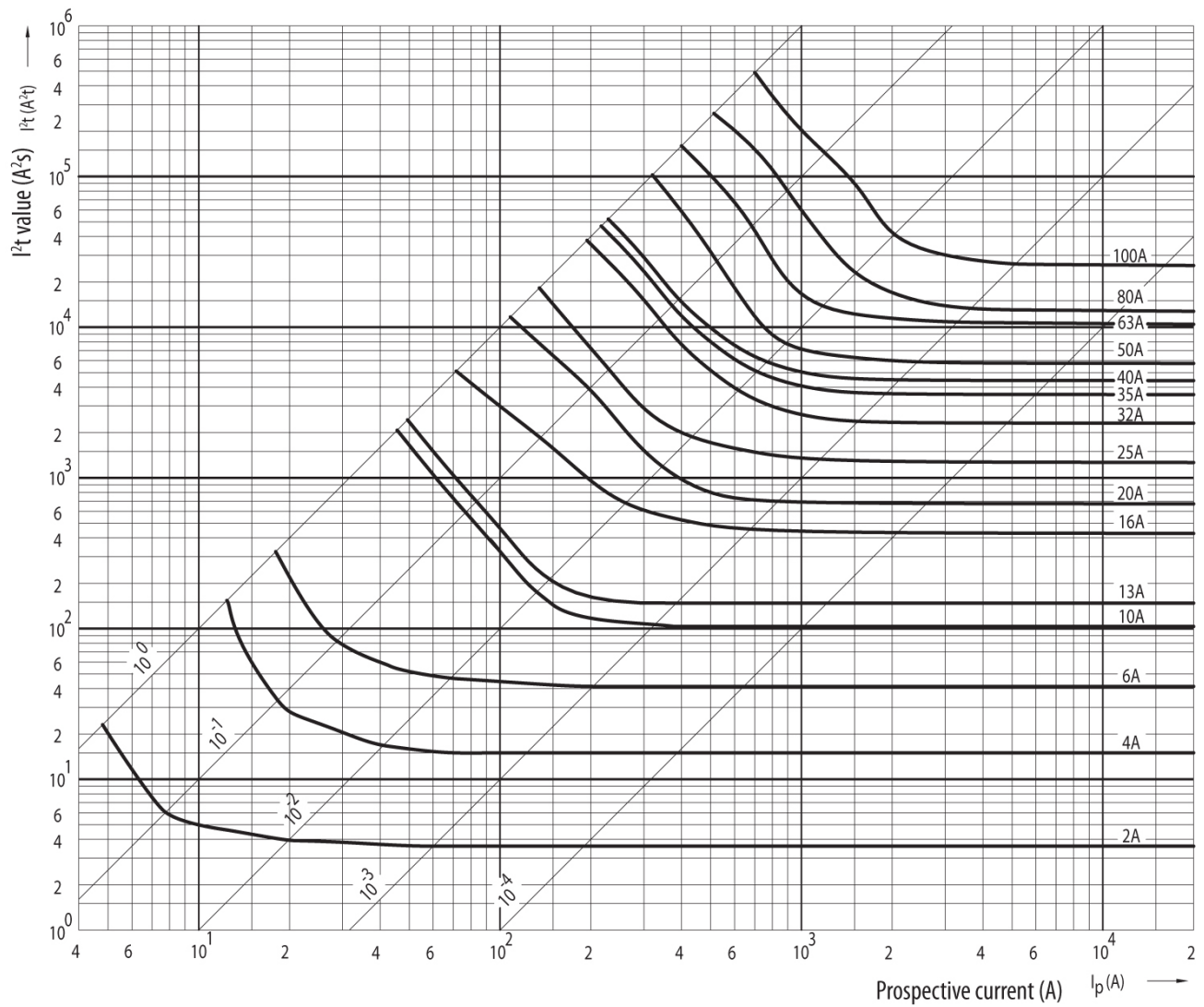


[Technical data catalogue](#)
[Certificate](#)
[2D File](#)
[Instruction manual](#)
[CE declaration](#)
[Eplan file](#)

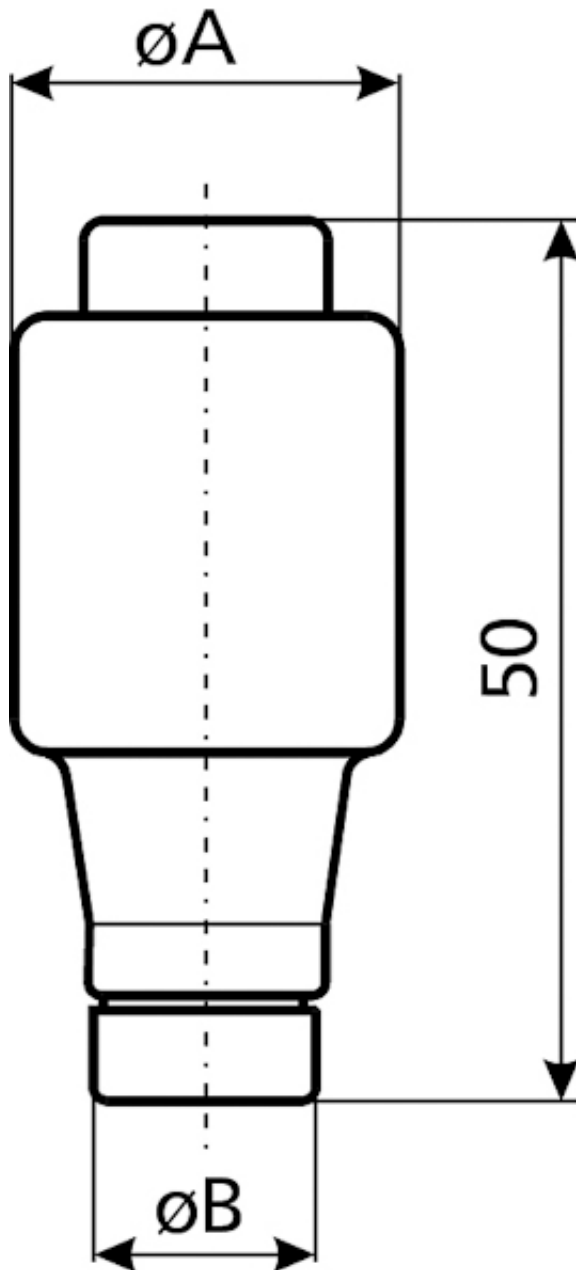
ETIM international classification

Classification	EC000099
Class name	D-system fuse link
Construction size	DII
Rated current	25A
Rated voltage	250V
Colour code	Yellow
Utilization category	Other
Release characteristic	Time-lag (T)

Melting energy characteristics



Dimension drawing



[A]	$\varnothing A$	$\varnothing B$
2	21,5	6
4	21,5	6
6	21,5	6
10	21,5	8
13	21,5	8
16	21,5	10
20	21,5	12
25	21,5	14

Cut-off current characteristics

