

TRANBERG® JUNCTION BOX

Type 1058 Heat Trace/De-Ice Pipe Mounted

Zone 1, Zone 2 & Safe Area



Tranberg heat trace boxes are represented in most of the oil installations in the North Sea, and also petrochemical industries and other industries subjected to rough environments.

Application

- Hazardous areas
- Chemical and petrochemical industries
- Industrial plants (for frost protection or temperature maintenance)
- According to NORSOK requirements

Features and benefits

- High ingress protection. IP66/67 is standard, IP67 without drain plug.
- Manufactured in acid proof stainless steel (AISI 316L)
- Stainless steel type label spot welded to the cover.
- Several earthing alternatives.
- Maximum strength and corrosion resistance.
- High operational reliability.
- Low lifetime maintenance cost.
- Recommended for up to 2 heating cables.

Equipped with

- 2 pcs. Transition units with stopping plugs
- 10581616: 10 pcs. Terminals PHOENIX UT6
- 10581619: 6 pcs. Terminals PHOENIX UT6, 4 pcs. Terminals PHOENIX UT10
- 5 pcs. Ø25 entries

Approvals and certificates

ATEX: Presafe 14ATEX4124

IECEX: IECEX PRE 14.0001

Compliance standards:

Directive 2014/34/EU

Refer to EU Declaration of conformity for more details.

R. Stahl Tranberg have designed and manufactured heat tracing equipment and heating applications for rough environments for more than 25 years.

Our product range includes therefore a number of different heat tracing junction boxes.



* Elevator for high temperature lines shown on picture

Technical Data

Ex-protection:	⊕ II 2 G Ex eb IIC T5 Gb
Ingress Protection:	IP66/67
Material:	AISI 316L / EN 1.4404
Finish:	10581606 and 10581616: Bright chemical dip 10581646 and 10581636: Electro polished
Voltage:	Max. 10 mm ² 690V
Tamb (Operation):	-40°C to +40°C

R. STAHL TRANBERG AS

Main office | Strandvingen 6 | N-4032 Stavanger, Norway | T +47 51 57 89 00 | E info.no-st@r-stahl.com | stahl-tranberg.com

TRANBERG STAHL

THE STRONGEST LINK.

TRANBERG® JUNCTION BOX

Type 1058 Heat Trace/De-Ice Pipe Mounted

Zone 1, Zone 2 & Safe Area

Description	Weight	Part No.
Junction box with 5 pc. Ø25 entries (with temporary plugs). Bright chemical dip. * Note 1: Label kit not included	2,1 kg	1058 1606
Junction box with 5 pc. Ø25 entries (with temporary plugs). Electro polished. * Note 1: Label kit not included	2,1 kg	1058 1646
Junction box with 2 pc. cable gland E204/622 M25/D9 (Ø13,0-17,0mm), 2 pc. stopping plug M25 and 1 pc. drainplug M25. Bright chemical dip	2,9 kg	1058 1616
Junction box with 2 pc. cable gland E204/622 M25/D9 (Ø13,0-17,0mm), 2 pc. stopping plug M25 and 1 pc. drainplug M25. Bright chemical dip	2,9 kg	1058 1619
Junction box with 2 pc. cable gland E204/622 M25/D9 (Ø13,0-17,0mm), 2 pc. stopping plug M25 and 1 pc. drainplug M25. Electro polished	2,9 kg	1058 1636

Description Accessories	Weight	Part No.
Connection kit Pipe Mounting for Raychem Cables: 3BTV-5BTV-10QTVR-15QTVR-XTV-VPL-HTV 5x11 - w/ Termination kit C25-21 - HOT	0,1 kg.	9179223
Connection kit Pipe Mounting for Raychem Cables: 8BTV-10BTV-20QTVR-KTV 5x15 - w/Termination kit C25-21 - HOT	0,1 kg.	9179218
Connection kit Pipe Mounting for all Raychem Cables 5x11/5x15 - w/Termination kit C25-21 - HOT	0,1 kg.	9179220
Connection kit Pipe Mounting for Raychem Cables: 3BTV-5BTV-10QTVR-15QTVR-XTV-VPL-HTV 5x11 - w/ Termination kit C25-100 - COLD	0,1 kg.	9179225
Connection Kit Pipe Mounting for Raychem Cables: 8BTV-10BTV-20QTVR-KTV 5x15 - w/Termination kit C25-100 - COLD	0,1 kg.	9179199
Connection kit Pipe Mounting for all Raychem Cables 5x11/5x15 - w/Termination kit C25-100 - COLD	0,1 kg.	9179215
<i>Note: Please see datasheet TPS5687, connection kit for wall mounting, for more part numbers and details on connection kit.</i>		
Elevator for high temperature line		6071
Cable Gland Exe: E204/622 M25/D9/9mm (Ø13,0-17,0mm), w/ lock nut	0,1 kg.	6222532
Cable Gland Exe: E204/622 M25/D1/9mm (Ø15,0-20,1mm), w/ lock nut	0,1 kg.	6222512
Stopping plug, Brass M25 Exe with lock nut	0,1 kg.	6502502
TEF 731 Drainplug/Breather Exe - M25-9mm w/Lock nut - Brass	0,1 kg.	7312106
Trafolyte label with mounting kit		9090025



R. STAHL TRANBERG AS

Main office | Strandsvingen 6 | N-4032 Stavanger, Norway | T +47 51 57 89 00 | E info.no-st@r-stahl.com | stahl-tranberg.com

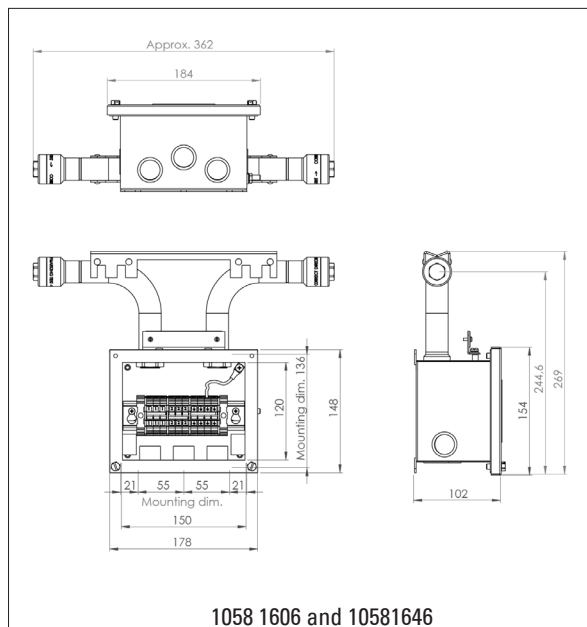
TRANBERG

TRANBERG® JUNCTION BOX

Type 1058 Heat Trace/De-Ice Pipe Mounted

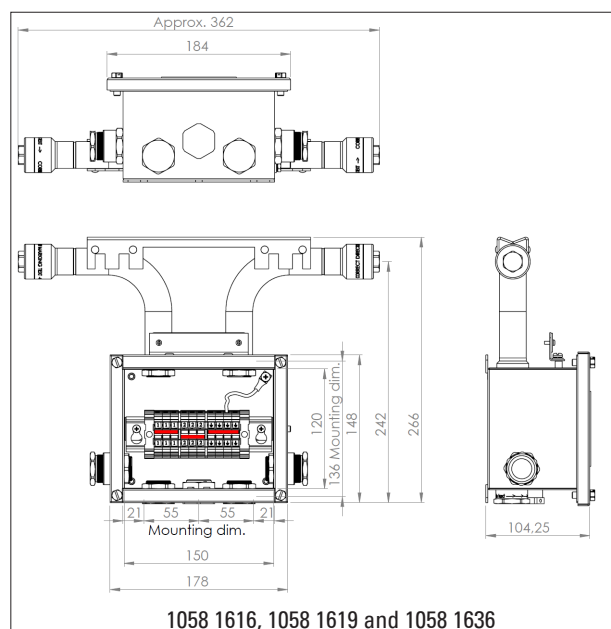
Zone 1, Zone 2 & Safe Area

Dimensions



1058 1606 and 10581646

100A108870



1058 1616, 1058 1619 and 1058 1636

100A108869 (1058 1616 and 1058 1636)
100A122298 (1058 1619)

*** Note**

*For vertical installation
re-locate drain plug to the
lowest side.*



R. STAHL TRANBERG AS

Main office | Strandsvingen 6 | N-4032 Stavanger, Norway | T +47 51 57 89 00 | E info.no-st@r-stahl.com | stahl-tranberg.com

TRANBERG