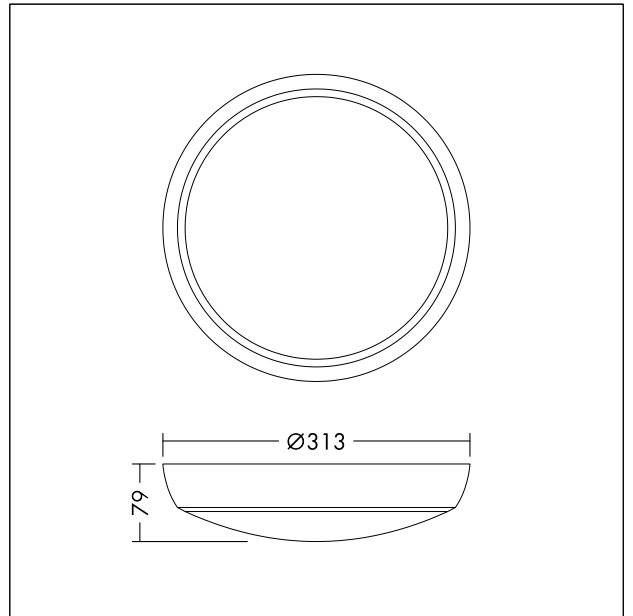


Wall-/ceiling luminaire, IP66

Innovative, Wall-/ceiling luminaire, IP66 with opal diffuser for indoor and outdoor applications. Made of high quality UV-resistant polycarbonate. Unique design with patented, screwless locking mechanism for fast and comfortable installation, whilst maintaining vandal proof security against unauthorized opening access to the driver. Impact strength: IK10. Total luminous flux: 2200 lm, Luminaire input power: 20 W, Lamp efficacy: 110 lm/W, Colour rendering Ra > 80, colour temperature 3000/3500/4000/5700/6500 K adjustable via switch, Lifetime: 50.000h L80, Chromaticity tolerance (initial MacAdam): 5, Body colour: white. Complete with integrated microwave presence and daylight sensor. Available accessory: Plug&Play Emergency kit for 3 hour (240lm) emergency conversion (self- and manual test). Suitable for conduit, BESA and Nordic installation. Variable flux, Input power adjustable on site by 4 step (FLEX1: 2200 lm (20W), FLEX2: 1800 lm (17W), FLEX3: 1200 lm (11W), FLEX4: 800 lm (7,5W)). Detailed power and CCT setting information available on www.THORNeco.com. Dimensions: Ø313 x 79 mm, weight: 1.3 kg.



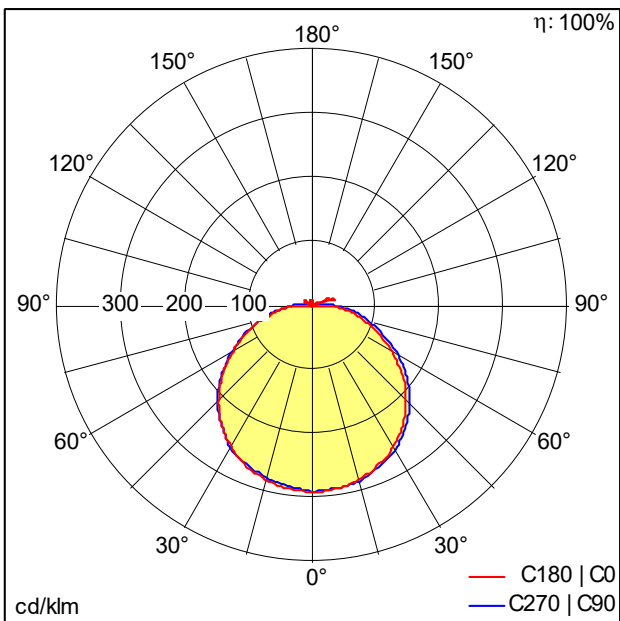
TE_TOMVF_F_LIT_TOP.jpg



TE_TOMVF_M_300.wmf

Light Distribution

STD - standard



TE_TOM_VF_2200_840_FLEX1.idt

- Light Source: LED
- Luminaire luminous flux*: 2200 lm
- Total emergency luminous flux: 240 lm
- Luminaire efficacy*: 110 lm/W
- Colour Rendering Index min.: 80
- Correlated colour temperature*: 3000-6500 Kelvin
- Chromaticity tolerance (initial MacAdam): 5
- Rated median useful life*:
L80 50000 h at 25 °C
- Ballast: 1x LED_Con
- Luminaire input power*: 20 W Power factor = 0.9
- Dimming: Fixed output
- Maintenance category CIE 97: E - Dust-proof IP5X
- Total harmonic distortion (THD): 20.00 %

All values marked with an * are rated values. Connected electrical load and luminous flux are subject to an initial tolerance of +/- 10%, the most similar colour temperature is subject to an initial tolerance of +/- 150K. Unless stated otherwise, the values apply to an ambient temperature of 25°C.