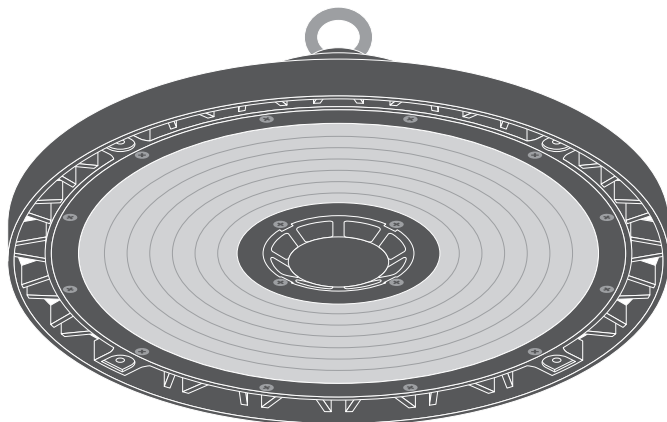


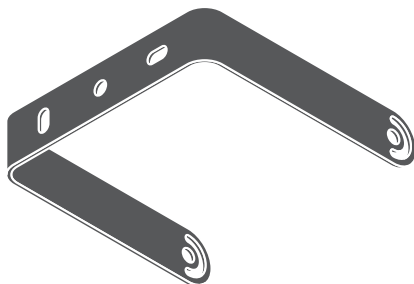
HIGHBAY GEN5





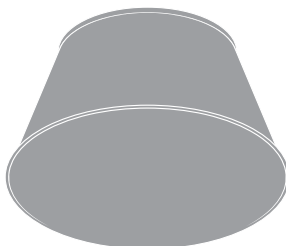
	EAN	Ø x h [mm]	W	V _{AC}	Hz	lm	lm/W	K
HB P 75W 840 70DEG IP66 PS	4058075844285	280 x 161	75 / 53	220-240	50/60	13200 / 9328	176	4000
HB P 75W 840 110DEG IP66 PS	4058075844292	280 x 161	75 / 53	220-240	50/60	13500 / 9540	180	4000
HB P 150W 840 70DEG IP66 PS	4058075844308	321 x 160	150 / 125	220-240	50/60	26250 / 21875	175	4000
HB P 150W 840 110DEG IP66 PS	4058075844315	321 x 160	150 / 125	220-240	50/60	26700 / 22250	178	4000
HB P 200W 840 70DEG IP66 PS	4058075844322	321 x 162	200 / 173	220-240	50/60	35000 / 30275	175	4000
HB P 200W 840 110DEG IP66 PS	4058075844339	321 x 162	200 / 173	220-240	50/60	36200 / 31313	181	4000
HB P 75W 865 70DEG IP66 PS	4058075844346	280 x 161	75 / 53	220-240	50/60	13125 / 9275	175	6500
HB P 75W 865 110DEG IP66 PS	4058075844353	280 x 161	75 / 53	220-240	50/60	13350 / 9434	178	6500
HB P 150W 865 70DEG IP66 PS	4058075844360	321 x 160	150 / 125	220-240	50/60	26250 / 21875	175	6500
HB P 150W 865 110DEG IP66 PS	4058075844377	321 x 160	150 / 125	220-240	50/60	26250 / 21875	175	6500
HB P 200W 865 70DEG IP66 PS	4058075844384	321 x 162	200 / 173	220-240	50/60	35000 / 30275	175	6500
HB P 200W 865 110DEG IP66 PS	4058075844391	321 x 162	200 / 173	220-240	50/60	35000 / 30275	175	6500


	EAN	IP	IK	∇	R _a	⊖ (°C)	PF	👤
HB P 75W 840 70DEG IP66 PS	4058075844285	66	10	70	>80	-30...+50	> 0.95	2.6 kg
HB P 75W 840 110DEG IP66 PS	4058075844292	66	10	110	>80	-30...+50	> 0.95	2.6 kg
HB P 150W 840 70DEG IP66 PS	4058075844308	66	10	70	>80	-30...+50	> 0.95	2.9 kg
HB P 150W 840 110DEG IP66 PS	4058075844315	66	10	110	>80	-30...+50	> 0.95	2.9 kg
HB P 200W 840 70DEG IP66 PS	4058075844322	66	10	70	>80	-30...+50	> 0.95	3.3 kg
HB P 200W 840 110DEG IP66 PS	4058075844339	66	10	110	>80	-30...+50	> 0.95	3.3 kg
HB P 75W 865 70DEG IP66 PS	4058075844346	66	10	70	>80	-30...+50	> 0.95	2.6 kg
HB P 75W 865 110DEG IP66 PS	4058075844353	66	10	110	>80	-30...+50	> 0.95	2.6 kg
HB P 150W 865 70DEG IP66 PS	4058075844360	66	10	70	>80	-30...+50	> 0.95	2.9 kg
HB P 150W 865 110DEG IP66 PS	4058075844377	66	10	110	>80	-30...+50	> 0.95	2.9 kg
HB P 200W 865 70DEG IP66 PS	4058075844384	66	10	70	>80	-30...+50	> 0.95	3.3 kg
HB P 200W 865 110DEG IP66 PS	4058075844391	66	10	110	>80	-30...+50	> 0.95	3.3 kg

HIGHBAY GEN5




	EAN	l x w x h [mm]	
HB BRACKET 138	4058075844643	138 x 35 x 203	0.35 kg

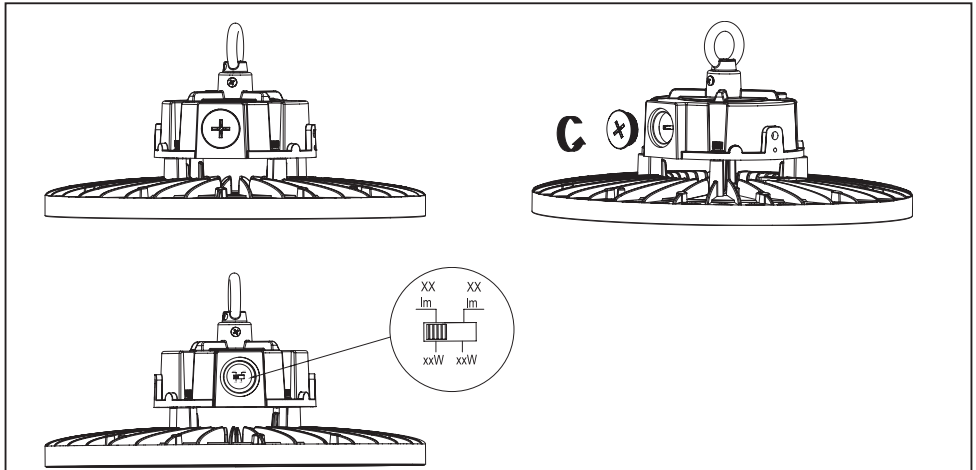
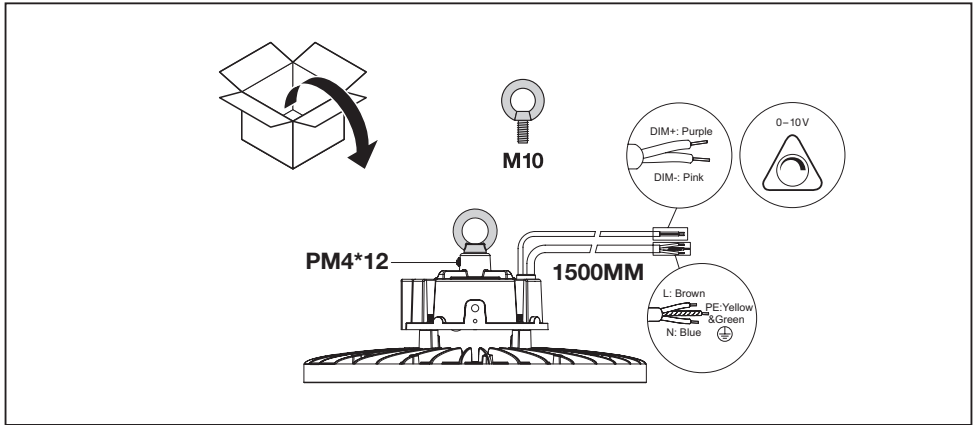


	EAN	Ø x h [mm]	
HB ALU REFLECTOR 415	4058075844568	415 x 205	0.3 kg
HB ALU REFLECTOR 500	4058075844582	500 x 235	0.5 kg



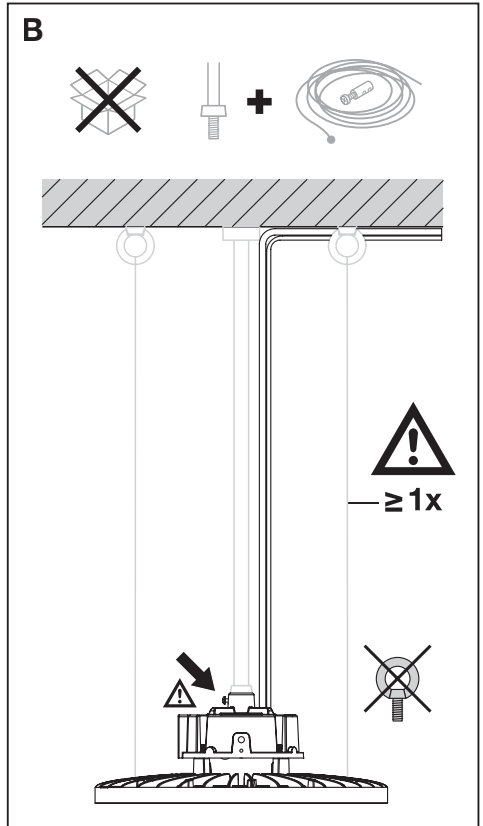
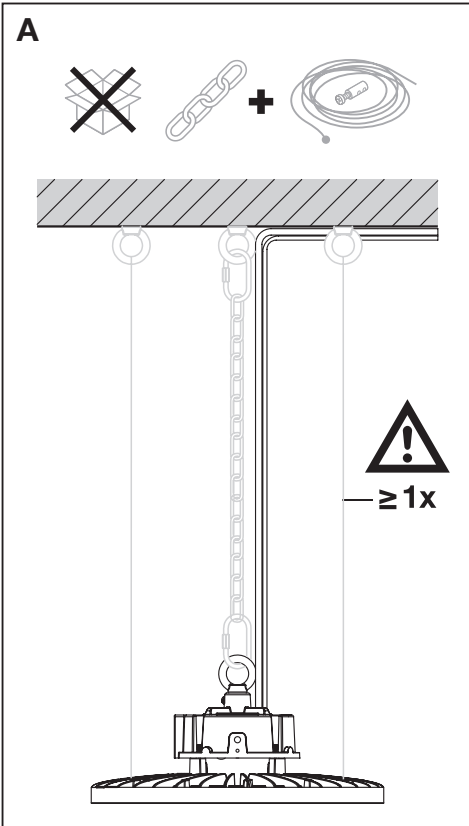
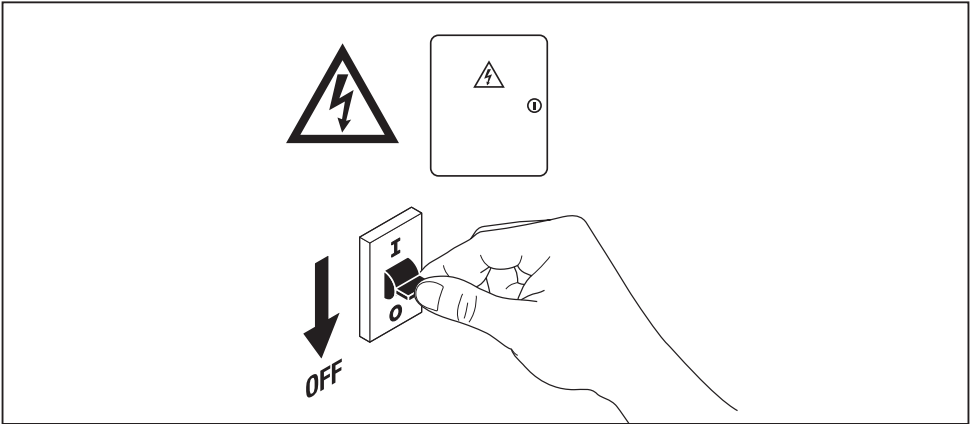
	EAN	Ø x h [mm]	
HB PC REFRACTOR 415	4058075844605	413 x 205	0.7 kg
HB PC REFRACTOR 500	4058075844629	480 x 250	1.0 kg

HIGHBAY GEN5



	W	lm	lm/W	Input current (mA)
HB P 75W 840 70DEG IP66 PS	75 / 53	13200 / 9328	176	335 / 240
HB P 75W 840 110DEG IP66 PS	75 / 53	13500 / 9540	180	
HB P 150W 840 70DEG IP66 PS	150 / 125	26250 / 21875	175	665 / 555
HB P 150W 840 110DEG IP66 PS	150 / 125	26700 / 22250	178	
HB P 200W 840 70DEG IP66 PS	200 / 173	35000 / 30275	175	880 / 770
HB P 200W 840 110DEG IP66 PS	200 / 173	36200 / 31313	181	
HB P 75W 865 70DEG IP66 PS	75 / 53	13125 / 9275	175	335 / 240
HB P 75W 865 110DEG IP66 PS	75 / 53	13350 / 9434	178	
HB P 150W 865 70DEG IP66 PS	150 / 125	26250 / 21875	175	665 / 555
HB P 150W 865 110DEG IP66 PS	150 / 125	26250 / 21875	175	
HB P 200W 865 70DEG IP66 PS	200 / 173	35000 / 30275	175	880 / 770
HB P 200W 865 110DEG IP66 PS	200 / 173	35000 / 30275	175	





HIGHBAY GEN5

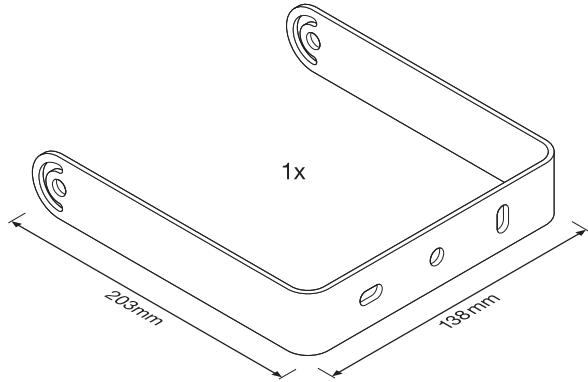


HIGHBAY GEN5

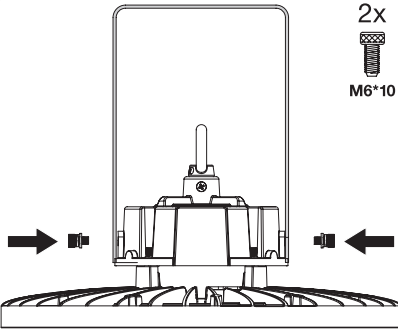





HB Bracket 138
EAN 4058075844643

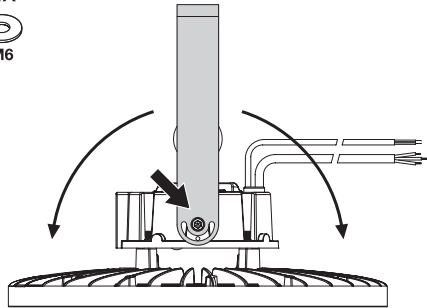
2x 2x 2x 2x
   
M6*10 M6 M6 M4*8



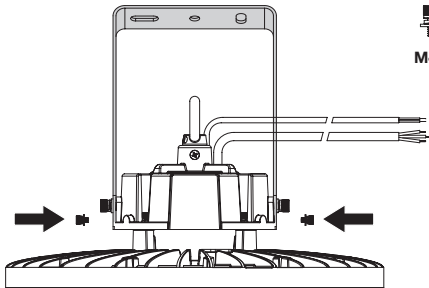
1



2x 2x 2x
  
M6*10 M6 M6

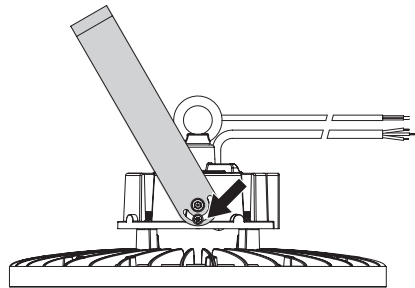


2

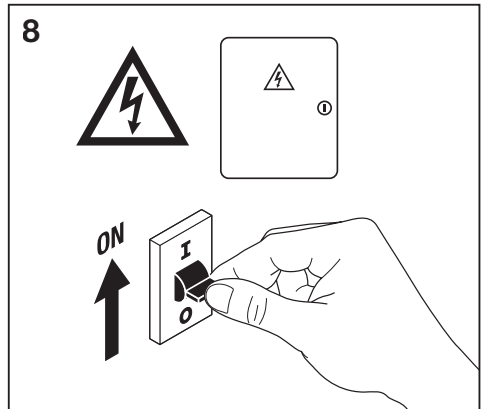
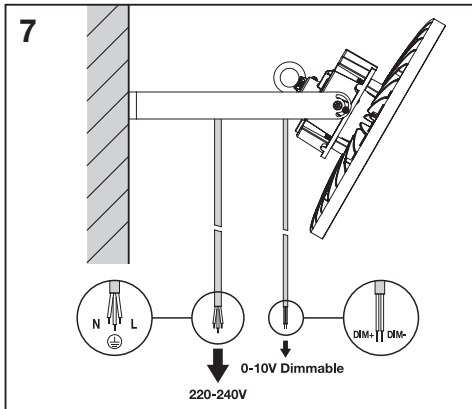
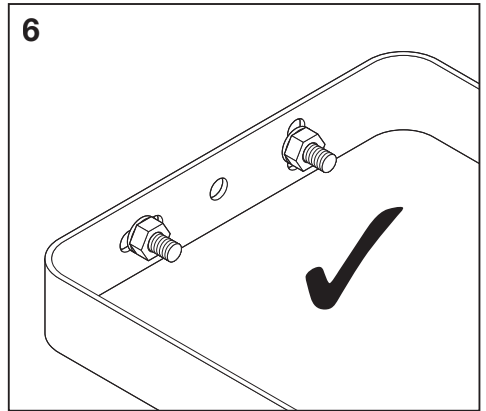
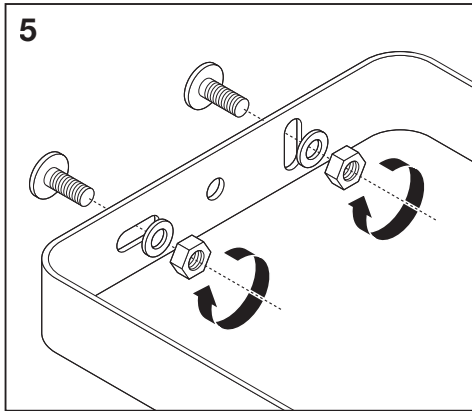
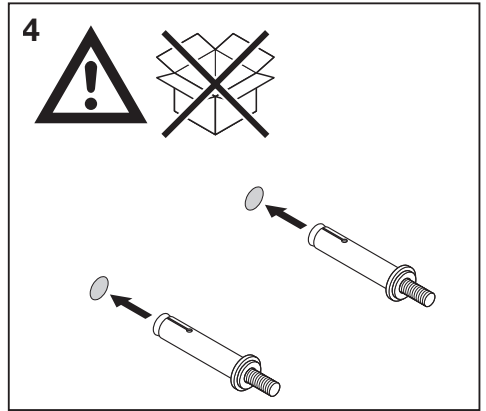
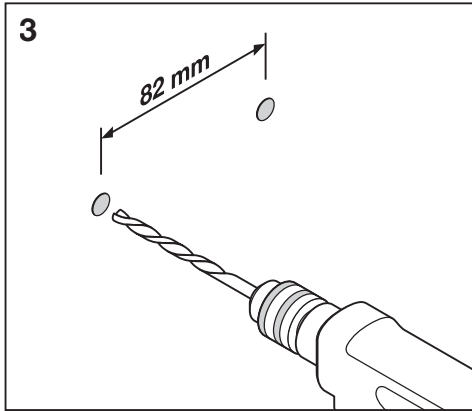


2x

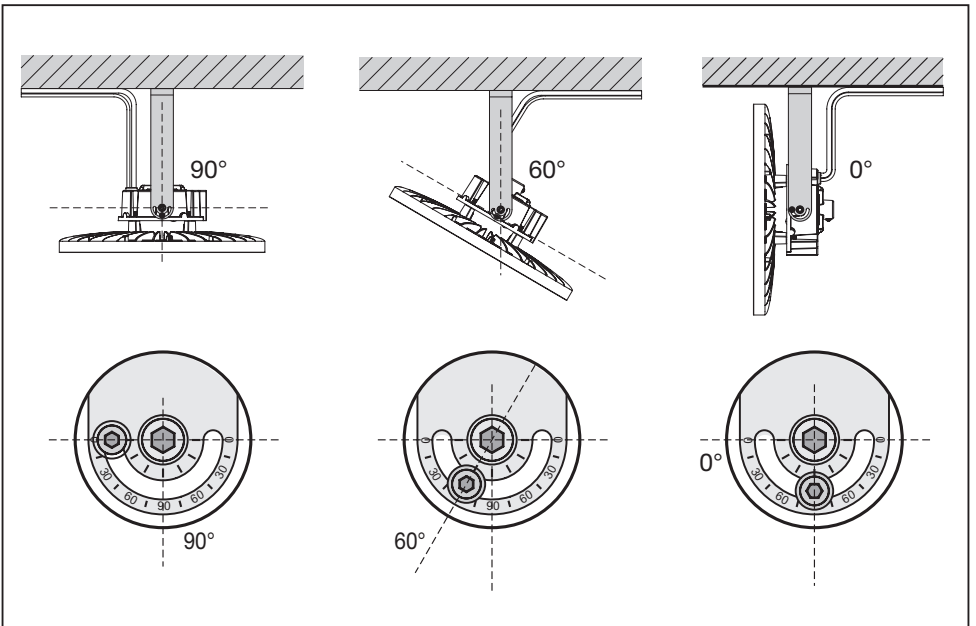
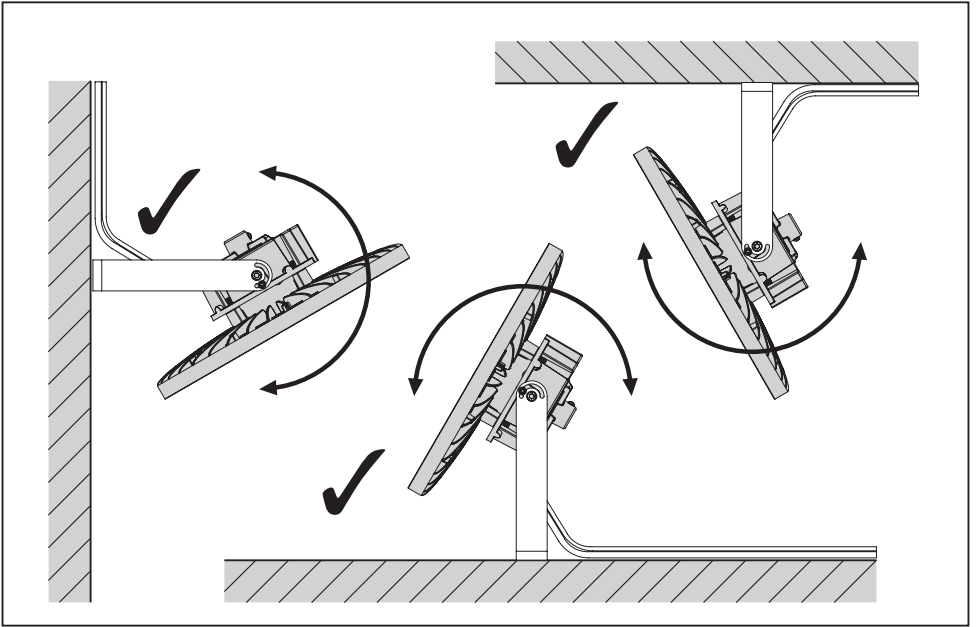
M4*8



HIGHBAY GEN5



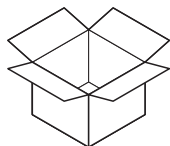
HIGHBAY GEN5



HIGHBAY GEN5

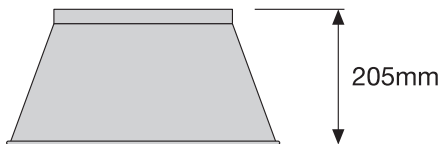
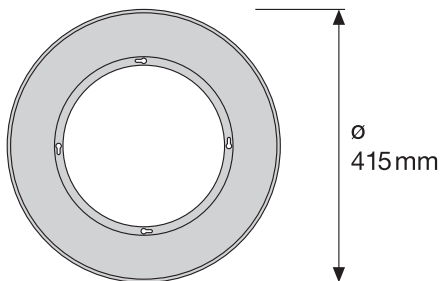
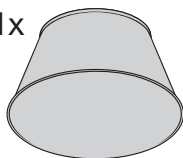


HB ALU REFLECTOR 415
EAN 4058075844568

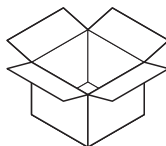


4x 
M4*6

1x

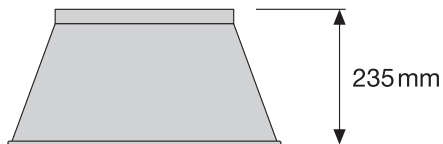
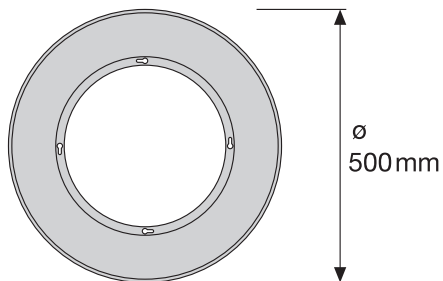
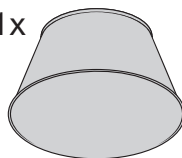


HB ALU REFLECTOR 500
EAN 4058075844582



4x 
M4*6

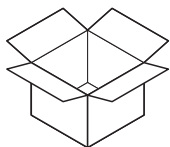
1x



HIGHBAY GEN5

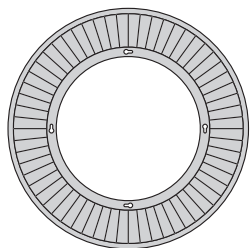
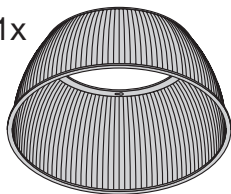



HB PC REFRACTOR 415
EAN 4058075844605

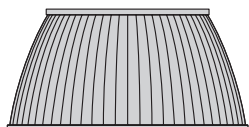


4x 
M4*10

1x

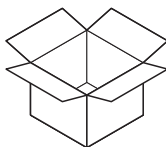


 \varnothing 413 mm



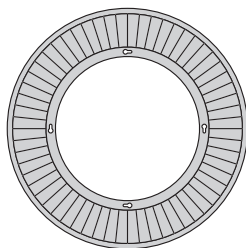
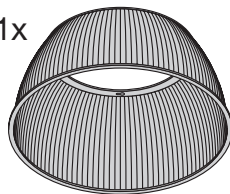
 205 mm


HB PC REFRACTOR 500
EAN 4058075844629

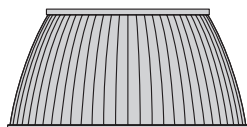



4x 
M4*10

1x



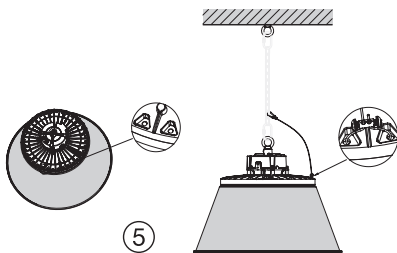
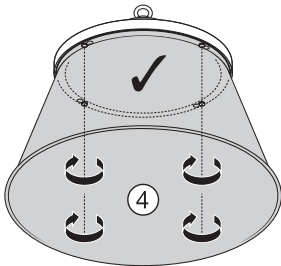
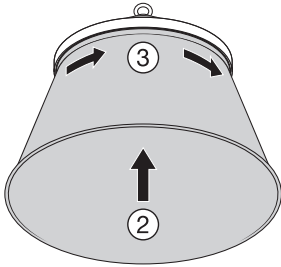
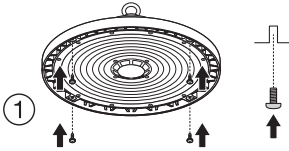
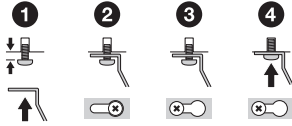
 \varnothing 480 mm



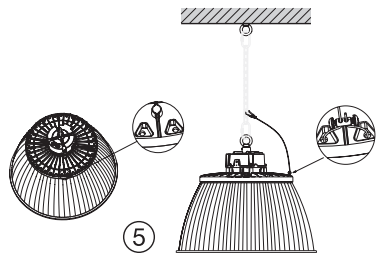
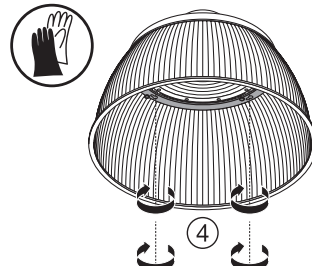
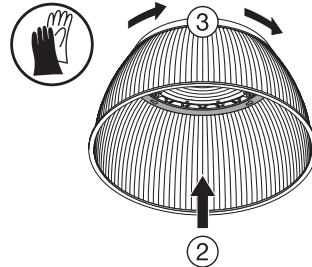
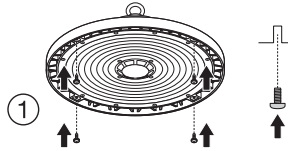
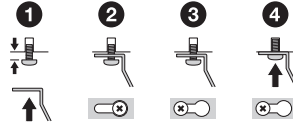
 250 mm



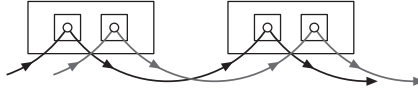
HB ALU REFLECTOR 75W-200W



HB PC REFRACTOR 75W-200W



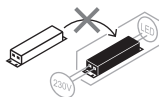
HIGHBAY GEN5



n	B16A	C10A	C16A	Inrush current(A)	Inrush charge time Th50(us)	Leakage current (mA) at 240VAC 60Hz (Max Vin and Frequency)
HB P 75W 840 70DEG IP66 PS	15	12	19	17.8	332	0.245
HB P 75W 840 110DEG IP66 PS						
HB P 75W 865 70DEG IP66 PS						
HB P 75W 865 110DEG IP66 PS						
HB P 150W 840 70DEG IP66 PS	13	10	16	25.8	376	0.290
HB P 150W 840 110DEG IP66 PS						
HB P 150W 865 70DEG IP66 PS						
HB P 150W 865 110DEG IP66 PS						
HB P 200W 840 70DEG IP66 PS	9	8	12	24	350	0.315
HB P 200W 840 110DEG IP66 PS						
HB P 200W 865 70DEG IP66 PS						
HB P 200W 865 110DEG IP66 PS						



Raccolta Carta
PAP
Verifica le disposizioni
del tuo comune.



LEDVANCE GmbH
Steinerne Furt 62
86167 Augsburg, Germany
www.ledvance.com

C10449059
G11193149
05.08.24

© LEDVANCE Ltd, Sterling House,
810 Mandarin Court, Warrington,
Cheshire, WA1 1GG, United Kingdom