

RLK8-510B4-A

5MP Person/Vehicle Detection Security Camera System; 2TB HDD 8-Ch NVR for 24/7 Recording

- Person/Vehicle Detection
- 5MP Super HD
- 2TB HDD 8-Channel NVR

Specifications

Hardware	
Hardware	V2
Video/Audio Input	
IP Video Input	PoE IP camera x 8
Audio Input	Cameras with built-in mic
Video/Audio Output	
HDMI Output Resolution	
VGA Output Resolution	
Audio Output	1-channel, RCA
Decoding	
Video Format	H.264, H.265
Live View/Playback Resolution	7680×2160, 4608×1728, 4512×2512, 4096×3072, 3840×2160, 2560×2560, 2560×1920, 2560×1440, 2048×1536, 2304×1296, 1080p, 720p
Synchronous Playback	Up to 4 channels

HDD	
SATA	1 x SATA interface (1 x Seagate 2TB HDD included)
External HDD	1 eSATA interface for HDD
Capacity	Up to 12TB (Max. 6TB capacity for each HDD)
External Interface	
USB Interface	2 x USB 2.0
Network Interface	<ul style="list-style-type: none"> · 1, RJ-45 10/100 Mbps self-adaptive Ethernet interface for LAN/WAN · 8, RJ-45 10/100 Mbps self-adaptive PoE Ethernet interface for IP camera
PoE	
Max. Power Per Port	25W
Supported Standard	IEEE 802.3af/at
Network	
Network Protocols	HTTP, TCP/IP, UDP, DHCP, P2P, UPNP, RTSP, SMTP, SSL/TLS, DNS, DDNS, NTP, FTP
Browsers Supported	IE, Edage, Firefox, Chrome, Safari
OS Supported	PC: Windows, Mac OS; SmartPhone: iOS, Android
Max. User Access	20 users (1 admin account & 19 user accounts); supports up to 12 simultaneous video streams (10 substreams & 2 mainstreams)
General	
Power Supply	DC 48V/1.875-2.5A
Power Consumption	<10W (without HDD&PoE)
Working Environment	Temperature: -10°C~+45°C (14°F~113°F); humidity: 10%~90%
Dimensions	260 x 41 x 230mm
Weight	1.4kg

Warranty

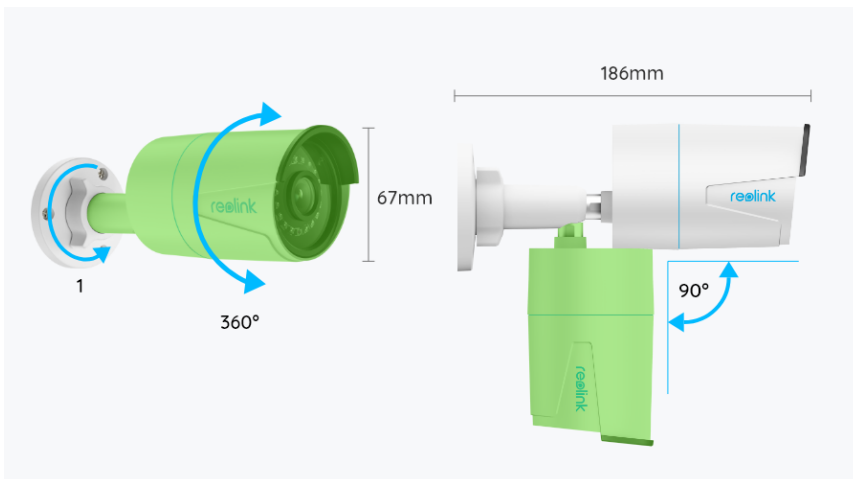
Limited Warranty

2-year limited warranty. For support, visit <https://support.reolink.com/hc/en-us/>.

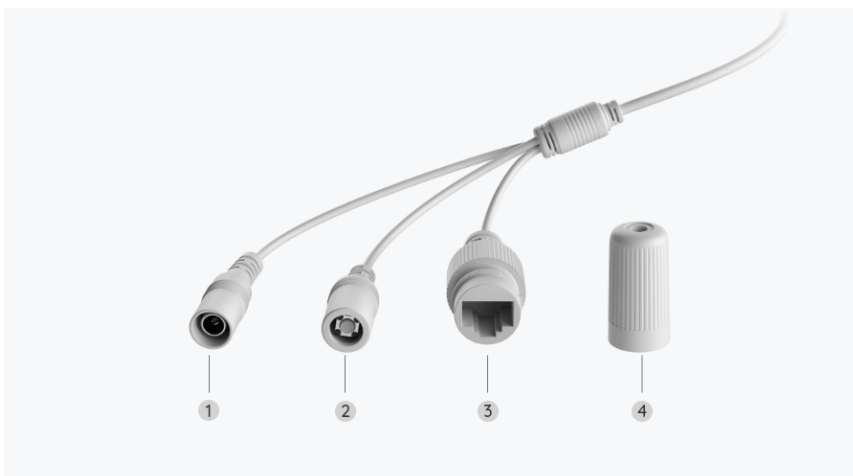
Gallery & Specs



1. Mount
2. Metal Aluminum Case
3. 18 IR LEDs
4. High Definition Lens (f=4.0mm)
5. Daylight Sensor



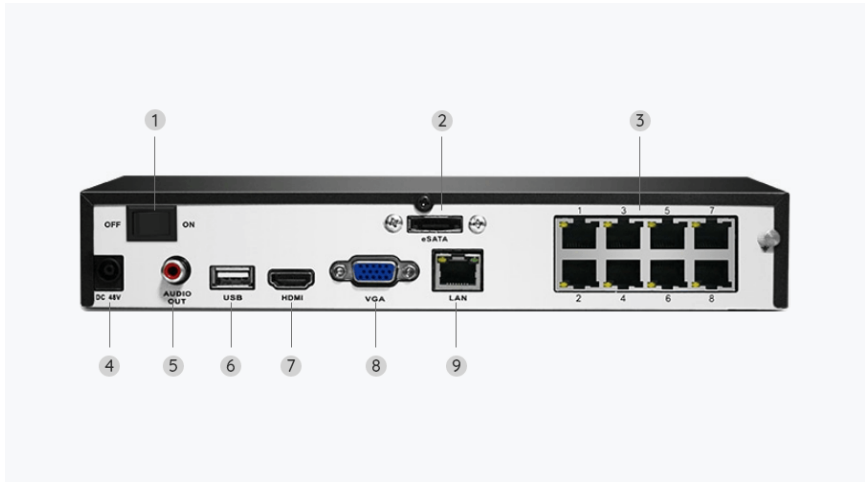
1. Unscrew it (counterclockwise) to loosen the bracket and adjust the camera in any direction.
2. After adjustment, twist it back to fix the camera.



1. Power
2. Reset Button
3. Network
4. Waterproof Lid



- 1. USB Port
- 2. Power LED/HDD LED
- 3. Control Panel



- 1. On/Off Switch
- 2. eSATA
- 3. RJ45
- 4. Power Input
- 5. Audio Out
- 6. USB Port
- 7. HDMI Port
- 8. VGA Port
- 9. Network