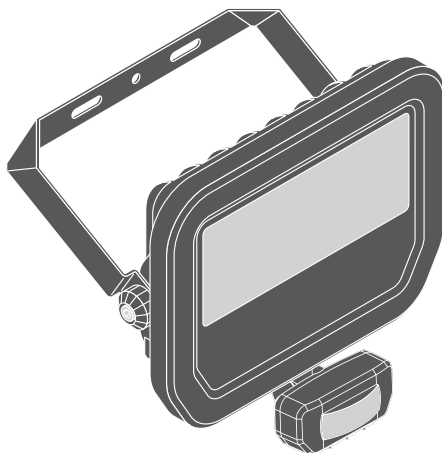


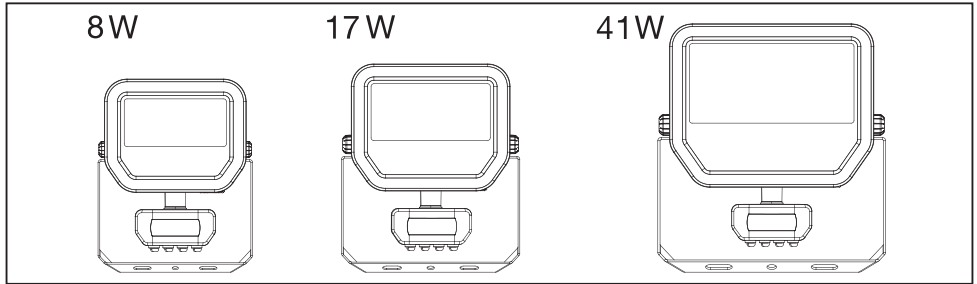
FLOODLIGHT SENSOR

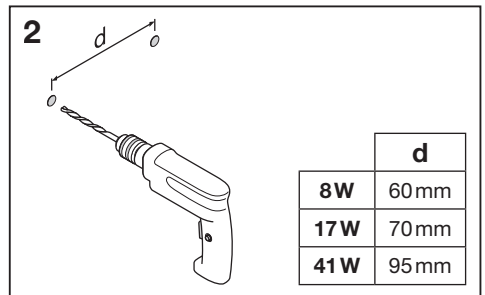
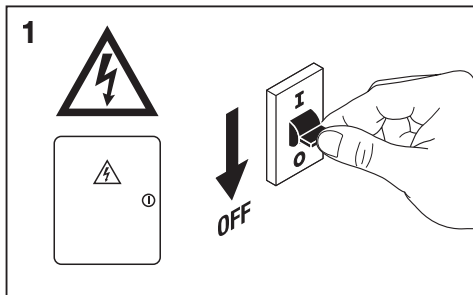
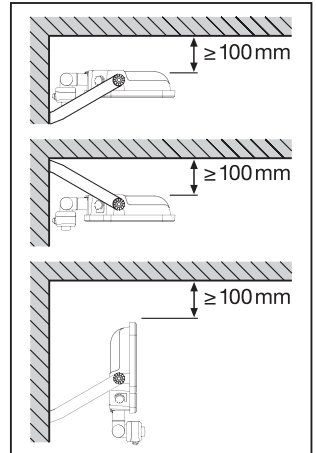
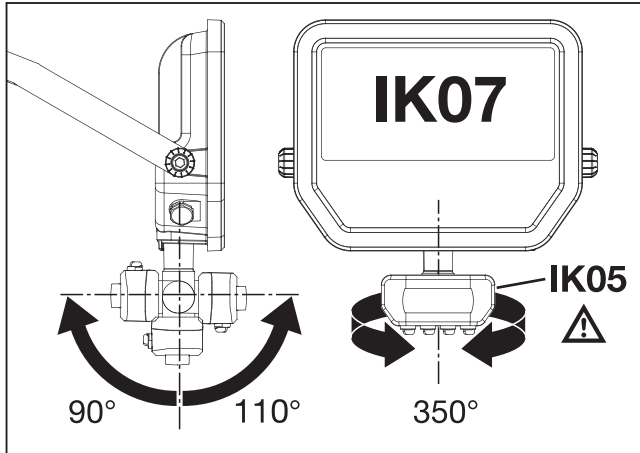
	EAN	l x w x h [mm]	W*	V _{AC}	Hz	lm*	lm/W	K
FL 10 SN P 8W 1K2LM 830 PS SY100 WT	4099854306709	136x170x56.5	8	220-240V	50/60Hz	1100	133	3000
FL 10 SN P 8W 1K2LM 830 PS SY100 BK	4099854306747	136x170x56.5	8	220-240V	50/60Hz	1100	133	3000
FL 10 SN P 8W 1K2LM 840 PS SY100 WT	4099854306785	136x170x56.5	8	220-240V	50/60Hz	1200	145	4000
FL 10 SN P 8W 1K2LM 840 PS SY100 BK	4099854306808	136x170x56.5	8	220-240V	50/60Hz	1200	145	4000
FL 20 SN P 17W 2K4LM 830 PSSY100 WT	4099854309465	157x183x56.5	17	220-240V	50/60Hz	2200	133	3000
FL 20 SN P 17W 2K4LM 830 PSSY100 BK	4099854309489	157x183x56.5	17	220-240V	50/60Hz	2200	133	3000
FL 20 SN P 17W 2K4LM 840 PSSY100 WT	4099854309502	157x183x56.5	17	220-240V	50/60Hz	2400	145	4000
FL 20 SN P 17W 2K4LM 840 PSSY100 BK	4099854309526	157x183x56.5	17	220-240V	50/60Hz	2400	145	4000
FL 50 SN P 41W 6KLM 830 PS SY100 WT	4099854306822	201x219x56.5	41	220-240V	50/60Hz	5500	133	3000
FL 50 SN P 41W 6KLM 830 PS SY100 BK	4099854306860	201x219x56.5	41	220-240V	50/60Hz	5500	133	3000
FL 50 SN P 41W 6KLM 840 PS SY100 WT	4099854306884	201x219x56.5	41	220-240V	50/60Hz	6000	145	4000
FL 50 SN P 41W 6KLM 840 PS SY100 BK	4099854306921	201x219x56.5	41	220-240V	50/60Hz	6000	145	4000

	EAN	IP	IK	∠	R _a	⊖ (°C)	PF	⚖
FL 10 SN P 8W 1K2LM 830 PS SY100 WT	4099854306709	65	07/05	100°	≥80	-30...+50	> 0.9	0.5 kg
FL 10 SN P 8W 1K2LM 830 PS SY100 BK	4099854306747	65	07/05	100°	≥80	-30...+50	> 0.9	0.5 kg
FL 10 SN P 8W 1K2LM 840 PS SY100 WT	4099854306785	65	07/05	100°	≥80	-30...+50	> 0.9	0.5 kg
FL 10 SN P 8W 1K2LM 840 PS SY100 BK	4099854306808	65	07/05	100°	≥80	-30...+50	> 0.9	0.5 kg
FL 20 SN P 17W 2K4LM 830 PSSY100 WT	4099854309465	65	07/05	100°	≥80	-30...+50	> 0.9	0.6 kg
FL 20 SN P 17W 2K4LM 830 PSSY100 BK	4099854309489	65	07/05	100°	≥80	-30...+50	> 0.9	0.6 kg
FL 20 SN P 17W 2K4LM 840 PSSY100 WT	4099854309502	65	07/05	100°	≥80	-30...+50	> 0.9	0.6 kg
FL 20 SN P 17W 2K4LM 840 PSSY100 BK	4099854309526	65	07/05	100°	≥80	-30...+50	> 0.9	0.6 kg
FL 50 SN P 41W 6KLM 830 PS SY100 WT	4099854306822	65	07/05	100°	≥80	-30...+50	> 0.9	0.9 kg
FL 50 SN P 41W 6KLM 830 PS SY100 BK	4099854306860	65	07/05	100°	≥80	-30...+50	> 0.9	0.9 kg
FL 50 SN P 41W 6KLM 840 PS SY100 WT	4099854306884	65	07/05	100°	≥80	-30...+50	> 0.9	0.9 kg
FL 50 SN P 41W 6KLM 840 PS SY100 BK	4099854306921	65	07/05	100°	≥80	-30...+50	> 0.9	0.9 kg

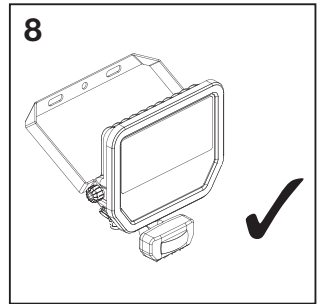
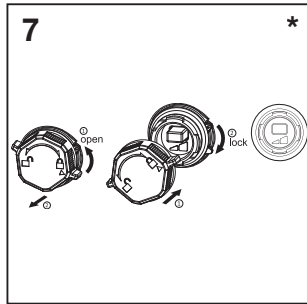
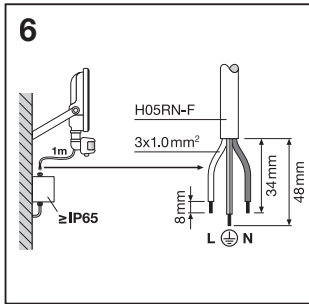
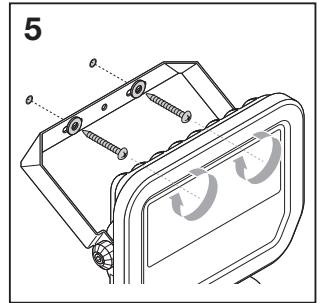
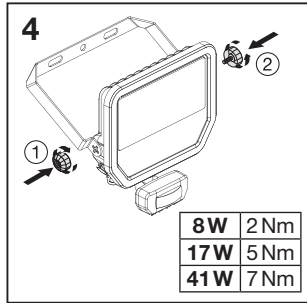
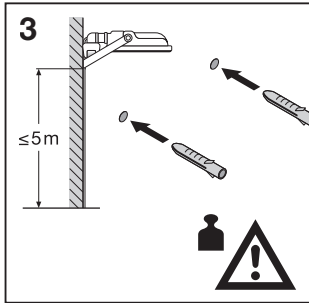
FLOODLIGHT SENSOR



						230Vac			
		A	B	C			C10A	B16A	C16A
8W		68	48	5.5	2x M4	0.014 m ²	67	84	107
17W		78	58	6.5	2x M5	0.017 m ²	60	75	96
41W		108	78	8.5	2x M6	0.027 m ²	15	19	25

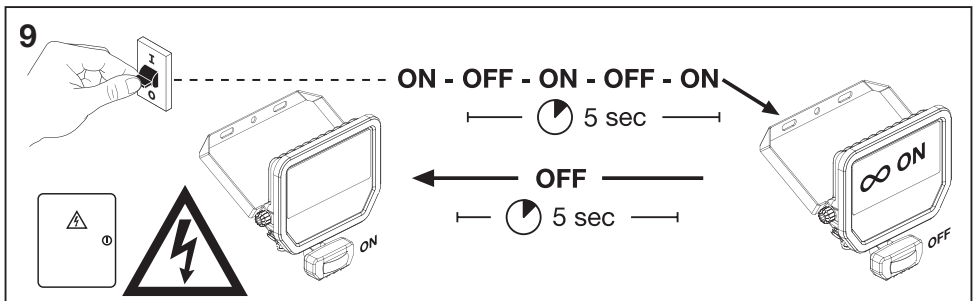


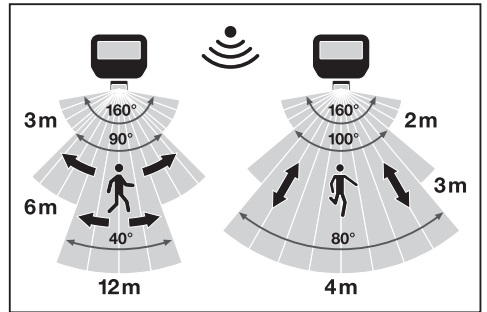
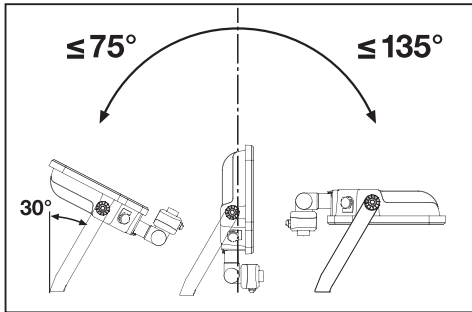
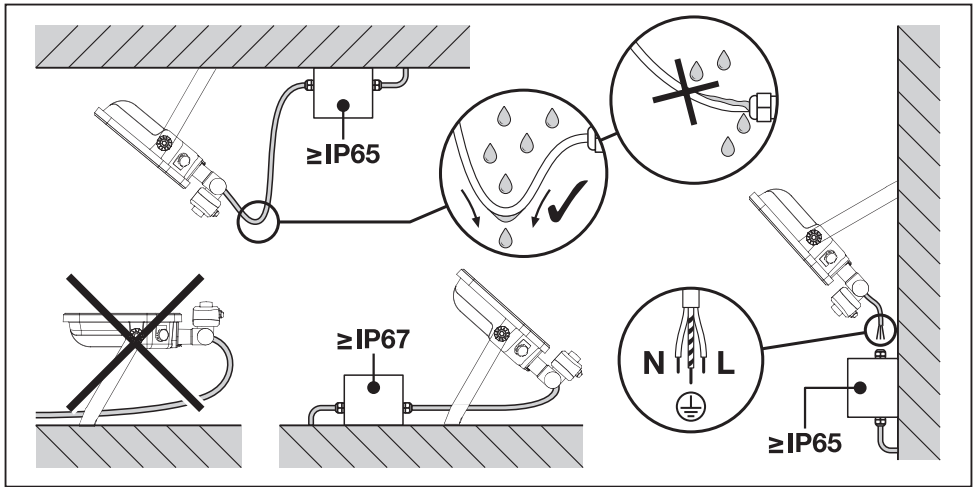
FLOODLIGHT SENSOR








*






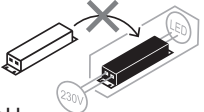
FL 10 SN P 8W 1K2LM 830 PS SY100	6 W / 780 lm	8 W / 1100 lm
FL 10 SN P 8W 1K2LM 840 PS SY100	6 W / 850 lm	8 W / 1200 lm
FL 20 SN P 17W 2K4LM 830 PS SY100	11 W / 1465 lm	17 W / 2200 lm
FL 20 SN P 17W 2K4LM 840 PS SY100	11 W / 1600 lm	17 W / 2400 lm
FL 50 SN P 41W 6KLM 830 PS SY100	27 W / 3670 lm	41 W / 5500 lm
FL 50 SN P 41W 6KLM 840 PS SY100	27 W / 4000 lm	41 W / 6000 lm








	LUX 	DIM 
	<10 lx	0%
	<100 lx	20%
	<2000 lx	40%

	TIME 	SENS 
	~ 10sec ± 3sec	OFF
	~ 1min ± 30sec	<10 lx ON >60 lx OFF
	~ 6min ± 1min	~ 2m
	~ 12min ± 2min	~ 6m











FR Cet appareil se recycle

 À DÉPOSER EN MAGASIN 
 À DÉPOSER EN DÉCHÈTERIE 
 OU

Points de collecte sur www.quefairemesdechets.fr
 Privilégiez la réparation ou le don de votre appareil !


LEDVANCE GmbH
 Steinerne Furt 62
 86167 Augsburg, Germany
www.ledvance.com

© LEDVANCE Ltd, Sterling House,
 810 Mandarin Court, Warrington,
 Cheshire, WA1 1GG, United Kingdom

C10449057
 G11193708
 25.04.24