

Produktdatablad: 1725523

Produkt: Lås trekant for IP54 TS skap
EI-nummer: 1725523
GTIN: 7090008552413
Fabrikat: Stansefabrikken Products
ETIM-klasse: EC002287



Teknisk beskrivelse

Lås trekant for bruk på TS skap

Bærekraft

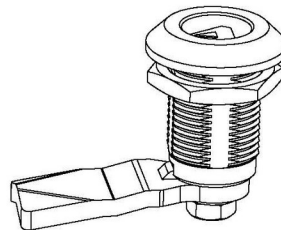
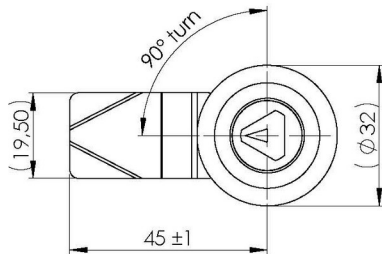
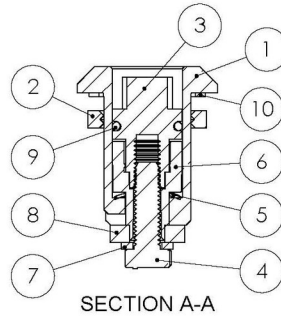
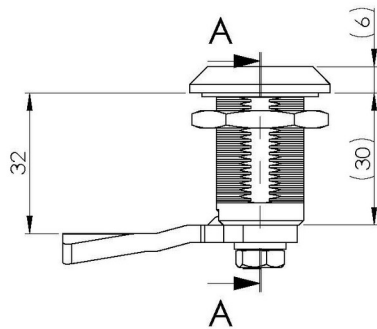
I samsvar med RoHS: Ja
I samsvar med REACH: Ja

Spesifikasjoner

Type tilbehør/reservedel	Andre
Tilbehør	Ja
Reservedel	Nei

Målskisse

Revision	Note	Appr. Date	Appr. By
A			



Pos. 2, 8 and 10 are packed separately.

CAD-model: 0007971, applies unless otherwise stated.

Pos	Qty	Article No.	Description	Material	Surface Treatment
1	1	21132201	Housing 32.6.30	Zinc	Chrome 30µm
2	1	21130102	Nut M22X1,5X4 FZB	Zinc	Zn-plated 10-15µm
3	1	22131401	Insert TK 10 Krom	Zinc	Chrome 30µm
4	1	012109	Screw M6x20	Steel	Zn-plated
5	1	042172	Curved washer 10.2X15X0.6 FZB	1.0503	Zn-plated 10-15µm
6	1	27110301	Insert Extension Classic 12mm	Zinc	Zinc-plated 10-15µm
7	1	032150	Washer M6	Steel	Untreated
8	1	232110	Cam Classic +02.45	EN 1.0038	Zinc-plated 10-15µm
9	1	297001	O-ring 12X2 NBR 70 SHORE	NBR	Untreated
10	1	297006	Flat external seal	NBR	Untreated

Design	Date	Scale	Weight	Material (se)	Material (nfl)	Surface treatment
EH	2017-11-28	1:1	55.56 g			

LÅS 90°-Lås Classic 30 mm Quarter Turn 30mm IndustriLås http://www.industriLås.com +46 (0)10-130 75 00			Tolerances unless otherwise specified View orientation SS-ISO 2768-c		
Project article No. 2372-016250-3245			Approved by EH		
Revision A			Approved date 2017-11-28		

2017-11-28 08:45:09