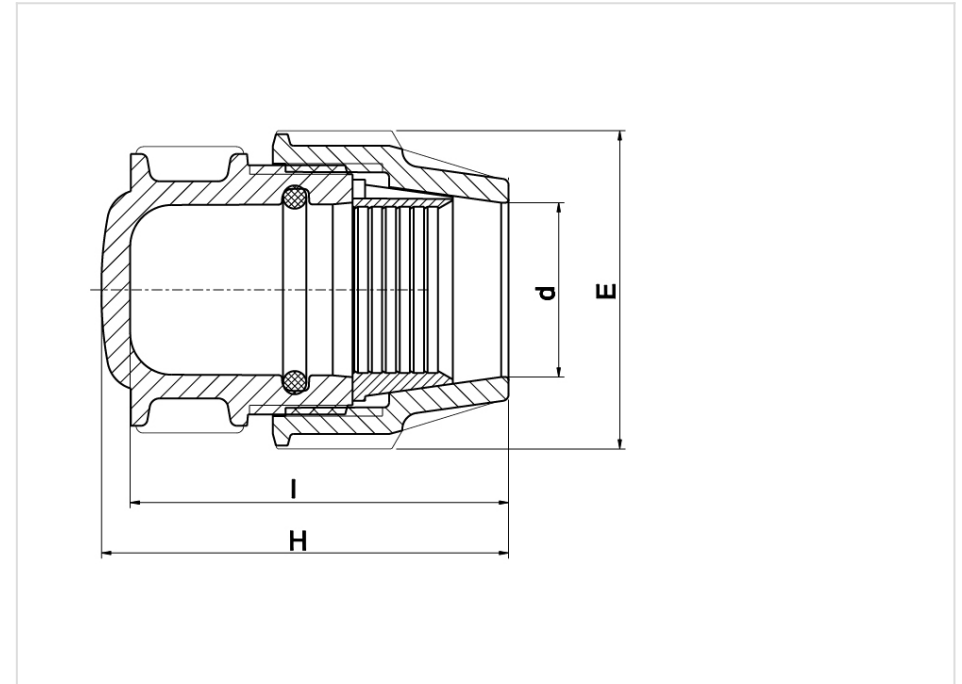


# END PLUG - 071200

#071200



**Body Material:** Polypropylene, high-grade copolymer.

**Nut Material:** Polypropylene, high-grade copolymer.;

**Split Ring Material:** Polyacetal

**Seal Material:** NBR

## Family Products

Product Code	d <sub>mm</sub>	E <sub>mm</sub>	H <sub>mm</sub>	I	Pressure Rating Water	Weight <sub>g</sub>	Unit Per Bag	Unit Per Carton
071200020	20	48	79	74	PN 16	57	10	350
071200025	25	54	82	77	PN 16	72	10	250
071200032	32	64	92	87	PN 16	108	5	180
071200040	40	82	102	97	PN 16	186	-	110
071200050	50	96	121	114	PN 16	270	-	75
071200063	63	113	145	122	PN 16	448	-	45