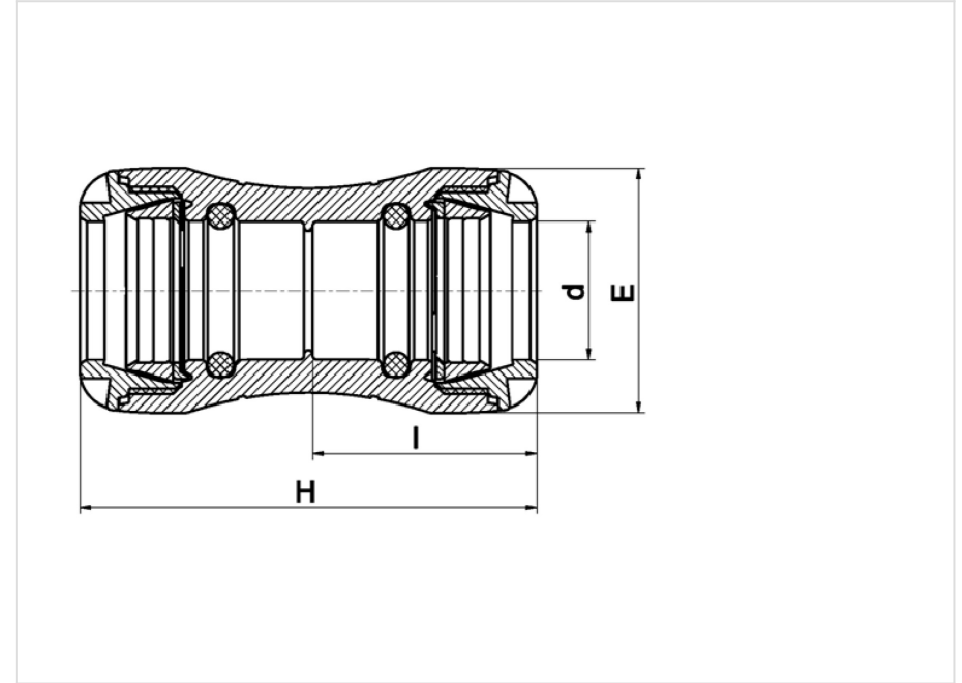


# COUPLER - 100100

#100100



**Body Material:** Polypropylene, high-grade copolymer.

**Nut Material:** Polypropylene, high-grade copolymer.;

**Split Ring Material:** Polyacetal

**Seal Material:** NBR

## Family Products

| Product Code | d <sub>mm</sub> | E <sub>mm</sub> | H <sub>mm</sub> | l  | Pressure Rating Water | Weight <sub>g</sub> | Unit Per Bag | Unit Per Carton |
|--------------|-----------------|-----------------|-----------------|----|-----------------------|---------------------|--------------|-----------------|
| 100100020    | 20              | 41              | 92              | 45 | PN 16                 | 64                  | 1            | 320             |
| 100100025    | 25              | 47              | 98              | 48 | PN 16                 | 80                  | 1            | 250             |
| 100100032    | 32              | 58              | 108             | 53 | PN 16                 | 126                 | 1            | 150             |
| 100100040    | 40              | 70              | 142             | 70 | PN 16                 | 256                 | 1            | 90              |
| 100100050    | 50              | 85              | 158             | 78 | PN 16                 | 369                 | 1            | 55              |
| 100100063    | 63              | 103             | 183             | 90 | PN 16                 | 620                 | 1            | 30              |