

## wall mounting socket outlet - straight, housing dimensions 102x102 mm



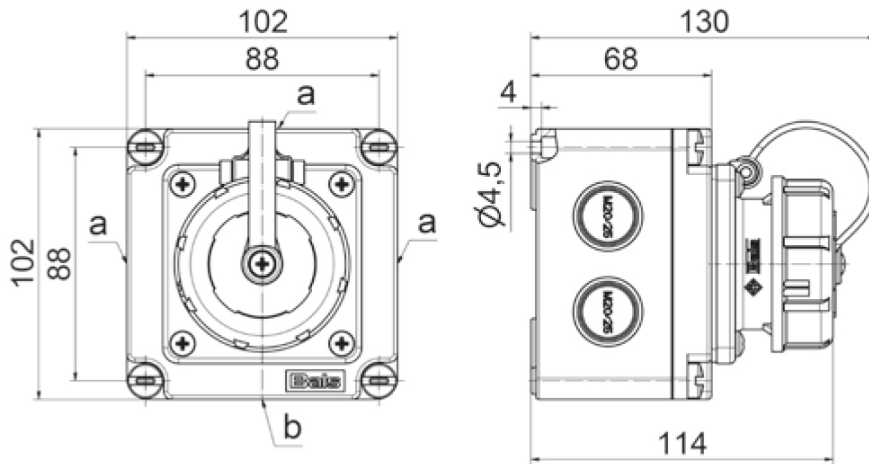
| Product description       |  |
|---------------------------|--|
| BALS-Prd.-Nr              | 7245   |
| EAN                       | 4024941937986                                  |
| Product group             | Domestic wall mounting socket outlet, straight |
| Current                   | 16A  |
| Number of poles           | 3p   |
| Arrangement of the phases | 2P+PE  |
| Voltage                   | 250V   |
| Frequency                 | alternating current (AC)                       |

| Product description    |  |
|------------------------|--|
| Protection degree      | IP67   |
| Colour code            | blue   |
| Colour of appliance    | Hinged lid blue  |
| Connection design      | head-screw terminal  |
| Cable entry            | 3 sides 2x M20/25, 1 side 1x M20/25, to break out  |
| Height                 | 102mm  |
| Width                  | 102mm  |
| Depth                  | 130mm  |
| Dimension of enclosure | 102x102 mm (HxW)   |
| Material of enclosure  | Polyamide  |
| Contacts               | The contact carrier is made of high temperature resistant material, the contacts are brass nickel plated |

| Additional technical information |                                    |
|----------------------------------|------------------------------------|
|                                  | All cable entries are to break out |

| Logistics data |                  |
|----------------|------------------|
| Weight/pcs     | 0.311 kg / piece |
| Packaging      | bag              |
| Content amount | 1 ST             |
| EAN            | 4024941937986    |
| Length         | 130 mm           |

| Logistics data |               |
|----------------|---------------|
| Width          | 102 mm        |
| Height         | 102 mm        |
| Weight         | 0.312 kg      |
| Volume         | 1,352.52 ccm  |
| Packaging      | carton        |
| Content amount | 10 ST         |
| EAN            | 4024941959223 |
| Length         | 325 mm        |
| Width          | 217 mm        |
| Height         | 210 mm        |
| Weight         | 3.316 kg      |
| Volume         | 13,588.4 ccm  |



|   |           |
|---|-----------|
| a | 2xM20/M25 |
| b | 1xM20/M25 |

**18 MB 114**