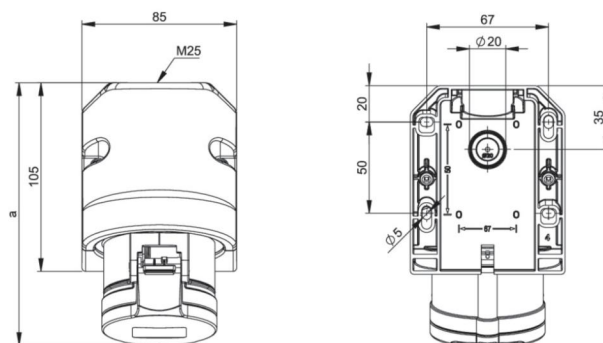


|                        |   |
|------------------------|---|
| article#               | <b>114-9</b>  |
| article description    | <b>CEE-wall mounted socket 16A 4p 9h IP44</b>   |
| description long       | CEE-wall mounted socket 16A 4p 9h IP44<br>housing material: PA6<br>rated current: 16A<br>number of poles: 4 (3P+PE)<br>clock-position: 9h<br>rated voltage/frequency: 200-250V~ / 50+60Hz<br>contacts: brass<br>connection technology: screw terminals<br>cable entry: top and rear<br>inc. threaded cable grommet<br>IP protection class: IP44 |
| GTIN (EAN)             | 9003399018763   |
| country of origin      | AT  |
| customs number         | 85366990  |
| net weight             | 0.240 kg  |
| packaging quantity     | 10  |
| minimum order quantity | 10  |

|                                 |                           |
|---------------------------------|---------------------------|
| ETIM 9.0                        | EC001321                  |
| Model                           | Surface mounted           |
| IEC-amperage                    | 16 A                      |
| Number of poles                 | 4                         |
| Voltage according to EN 60309-2 | 200-250 V (50+60 Hz) blue |
| Clock hour position             | 9 h                       |
| Identification colour           | Blue                      |
| Degree of protection (IP)       | IP44                      |
| Connection system               | Screwed terminal          |
| Cable entry                     | Gland nut                 |
| Material                        | Plastic                   |
| Contact material                | CuZn                      |
| Surface treatment contacts      | Untreated                 |
| Type of fastening               | Inner lying mounting      |

|                        |                       |
|------------------------|-----------------------|
| a                      | 145 mm                |
| b                      | 98 mm                 |
| wire flexible          | 1-2,5 mm <sup>2</sup> |
| wire solid             | 1-4 mm <sup>2</sup>   |
| contact screws         | 100 Ncm               |
| housing screws         | 110 Ncm               |
| dismantling length     | 50 mm                 |
| stripping length       | 10-12 mm              |
| ambient temperature    | -25 – 40 °C           |
| temperature resistance | -25 – 80 °C           |



b=Höhe/height  
Neigung/angle=15°



<https://www.pceelectric.at/shop/en/?func=detail&artnr=114-9>

