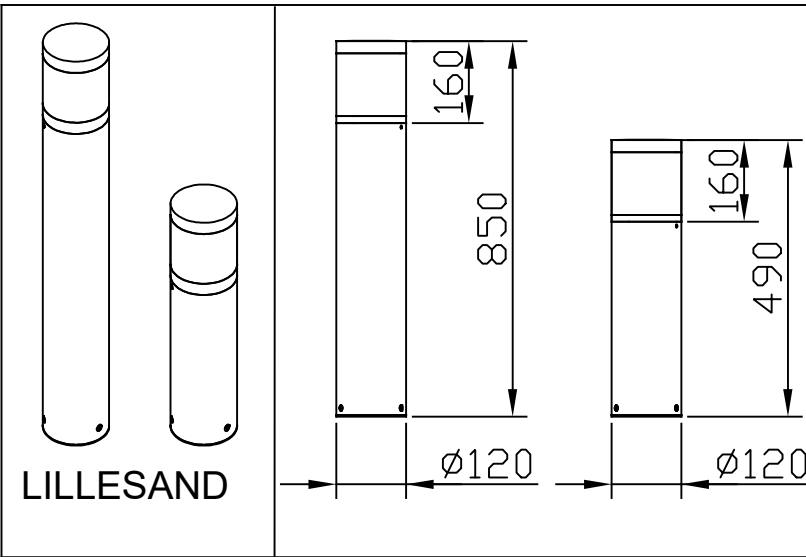


# LILLESAND

|  |                      |  |      |  |  |  |  |
|--|----------------------|--|------|--|--|--|--|
|  | ~220-240V<br>50-60Hz |  | IP65 |  |  |  |  |
|--|----------------------|--|------|--|--|--|--|



### ACCESSORY

|           |           |           |            |
|-----------|-----------|-----------|------------|
|           |           |           |            |
| 205zx0010 | 206GA0010 | 206GA0S10 | 6138zx0009 |

LICENSED ELECTRICIAN

850

MA=3Nm

GREASE

LICENSED ELECTRICIAN

**CONCRETE**

**WOOD**

Ø180

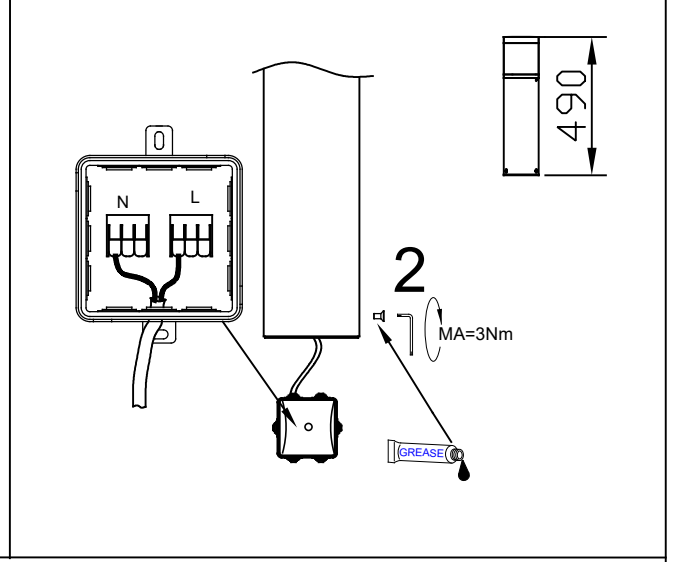
60

450

GREASE

FRONT

Face avant



OFF

LICENSED ELECTRICIAN

LED

LED

230V

(PL) Moduł LED, zasilacz elektroniczny  
Wymienne (tylko LED) źródło światła przez profesjonalny serwis.  
Wymienny osprzęt sterujący za pomocą profesjonalnego serwisu.

(ENG) LED module, power supply  
Replaceable (LED only) light source by a professional.  
Replaceable control gear by a professional.

|     |      |          |
|-----|------|----------|
|     |      |          |
| M25 | 2x 4 | max. 2x4 |