
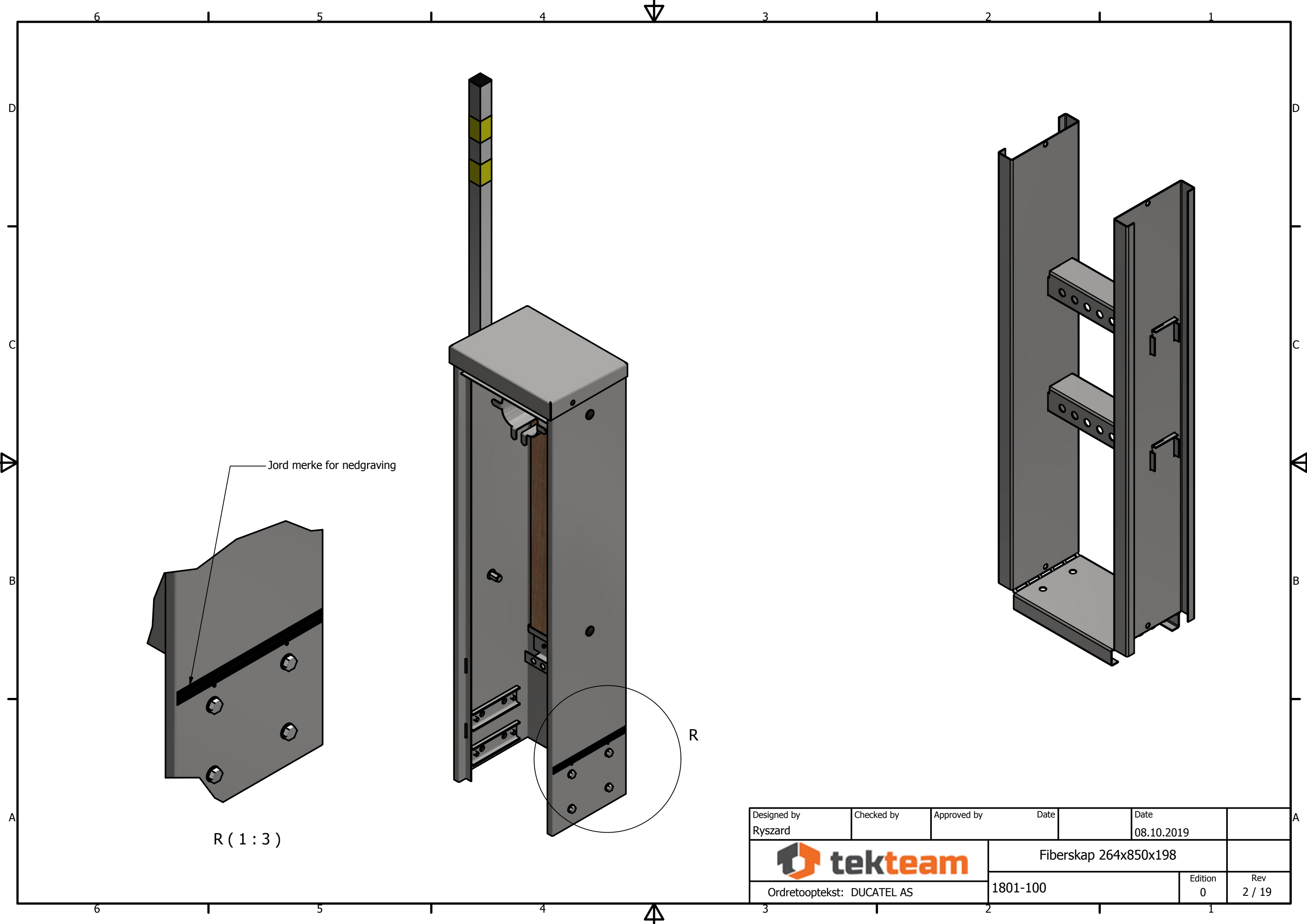
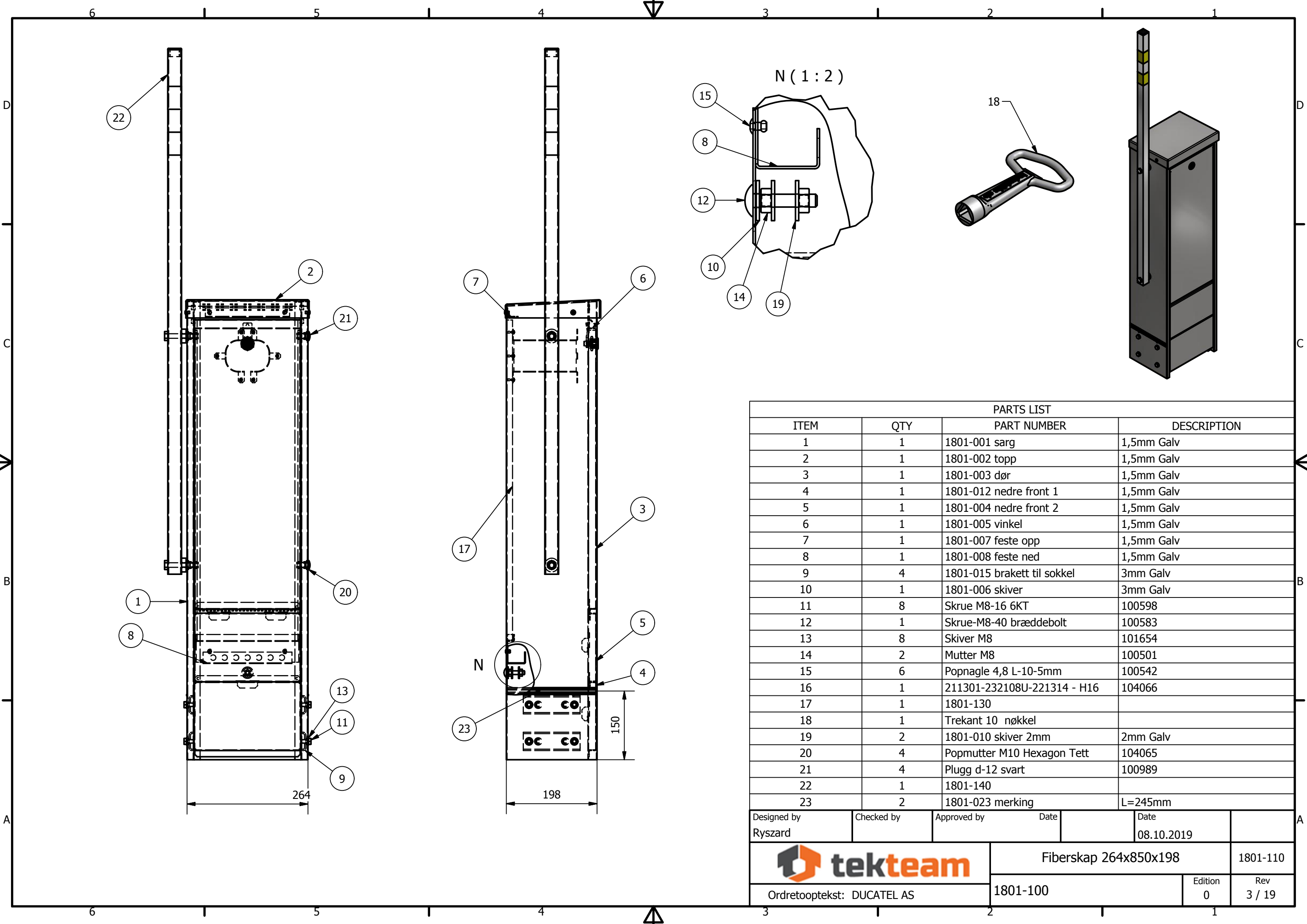


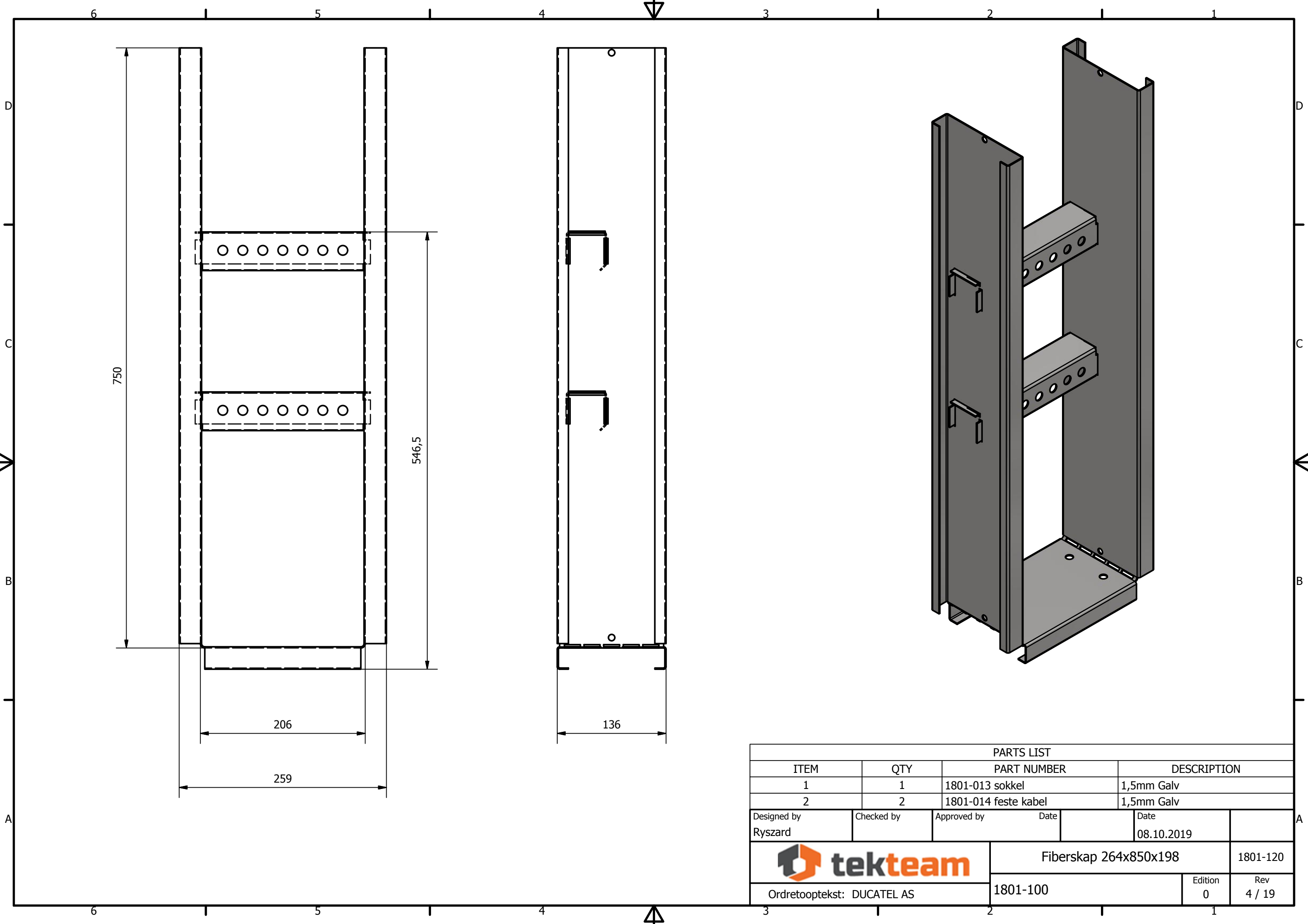
PARTS LIST			
ITEM	QTY	PART NUMBER	DESCRIPTION
1	1	1801-110	
2	1	1801-120	
Designed by Ryszard		Checked by	Approved by
		Date	Date
			08.10.2019
		Fiberskap 264x850x198	
		1801-100	Edition 0
Ordretekst: DUCATEL AS			




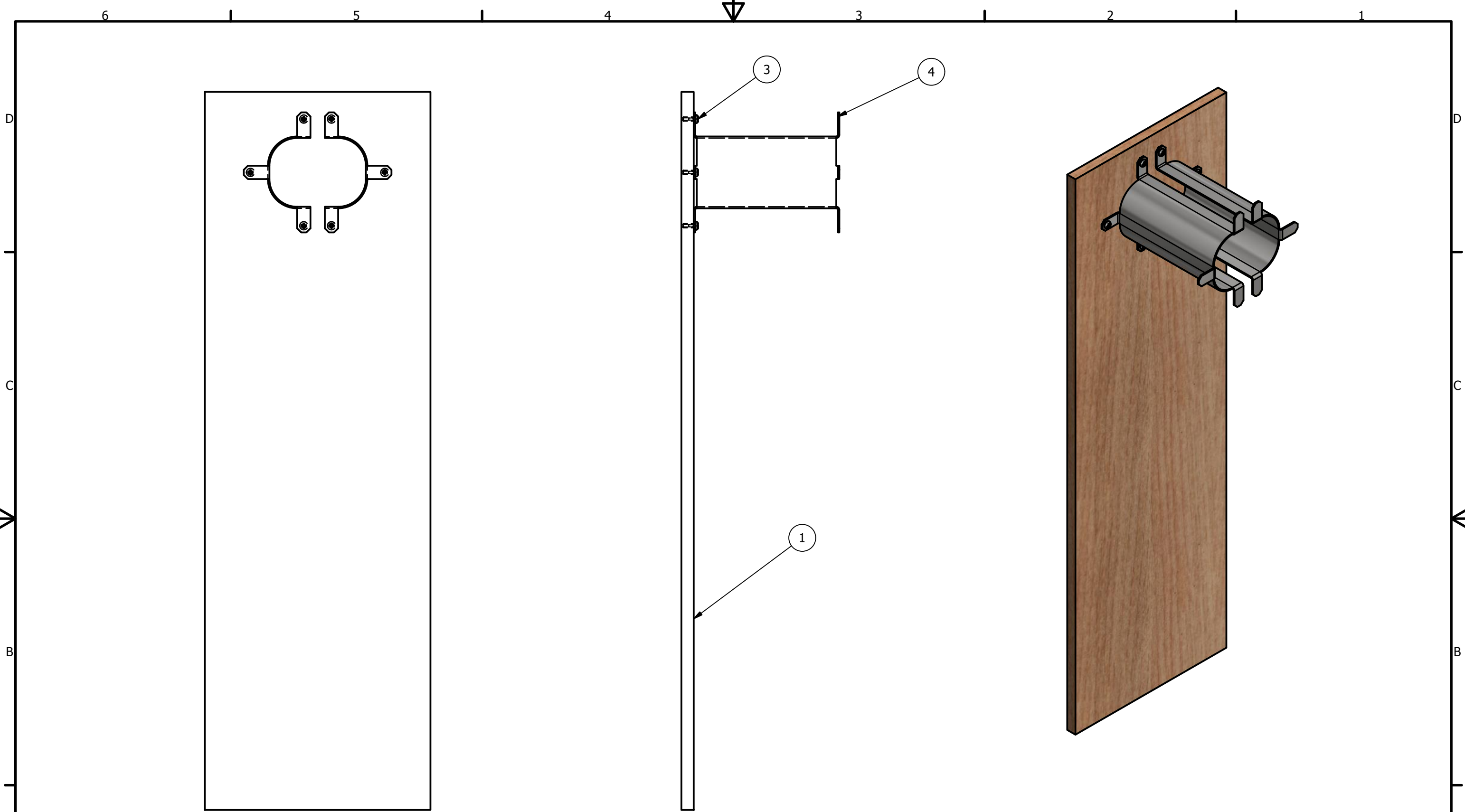



PARTS LIST			
ITEM	QTY	PART NUMBER	DESCRIPTION
1	1	1801-001 sarg	1,5mm Galv
2	1	1801-002 topp	1,5mm Galv
3	1	1801-003 dør	1,5mm Galv
4	1	1801-012 nedre front 1	1,5mm Galv
5	1	1801-004 nedre front 2	1,5mm Galv
6	1	1801-005 vinkel	1,5mm Galv
7	1	1801-007 feste opp	1,5mm Galv
8	1	1801-008 feste ned	1,5mm Galv
9	4	1801-015 brakett til sokkel	3mm Galv
10	1	1801-006 skiver	3mm Galv
11	8	Skruer M8-16 6KT	100598
12	1	Skruer-M8-40 bræddebolt	100583
13	8	Skiver M8	101654
14	2	Mutter M8	100501
15	6	Popnagle 4,8 L-10-5mm	100542
16	1	211301-232108U-221314 - H16	104066
17	1	1801-130	
18	1	Trekant 10 nøkkel	
19	2	1801-010 skiver 2mm	2mm Galv
20	4	Popmutter M10 Hexagon Tett	104065
21	4	Plugg d-12 svart	100989
22	1	1801-140	
23	2	1801-023 merking	L=245mm

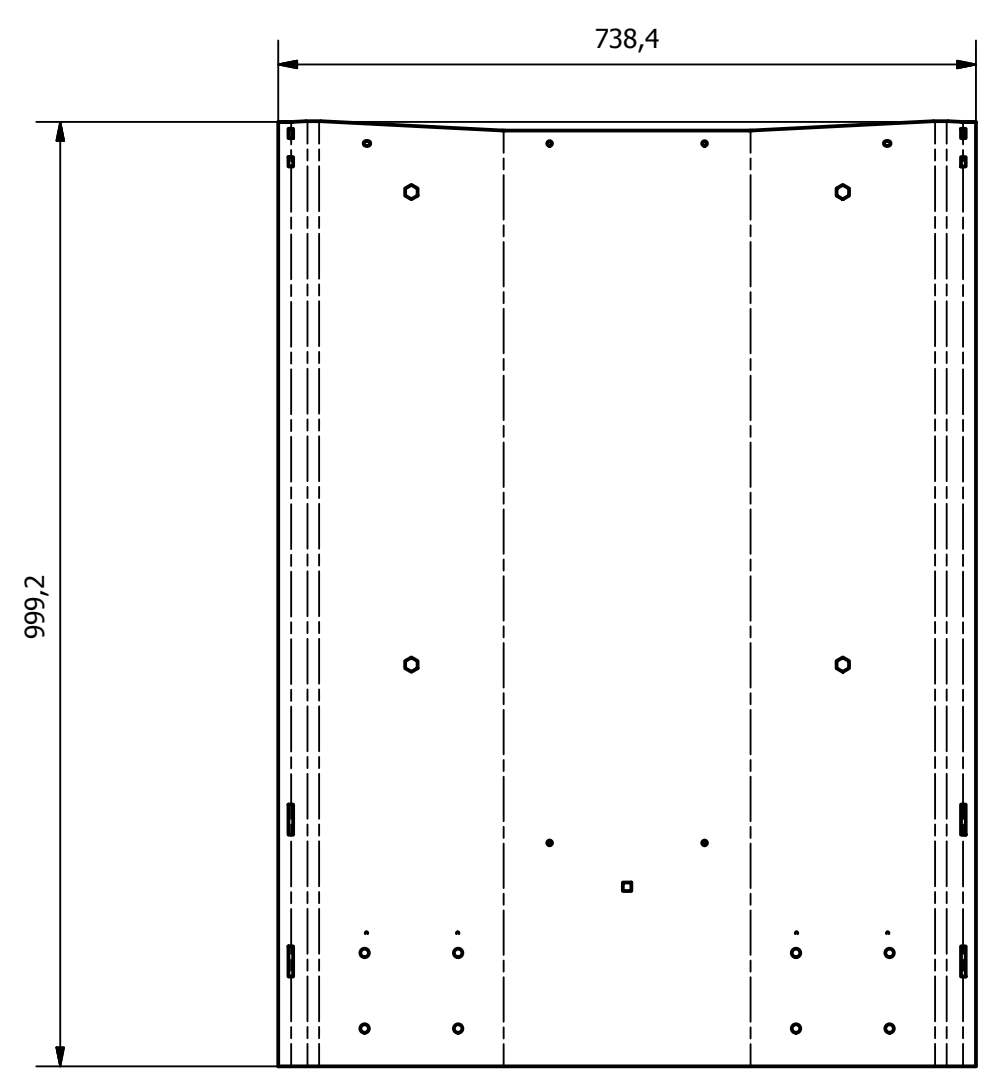
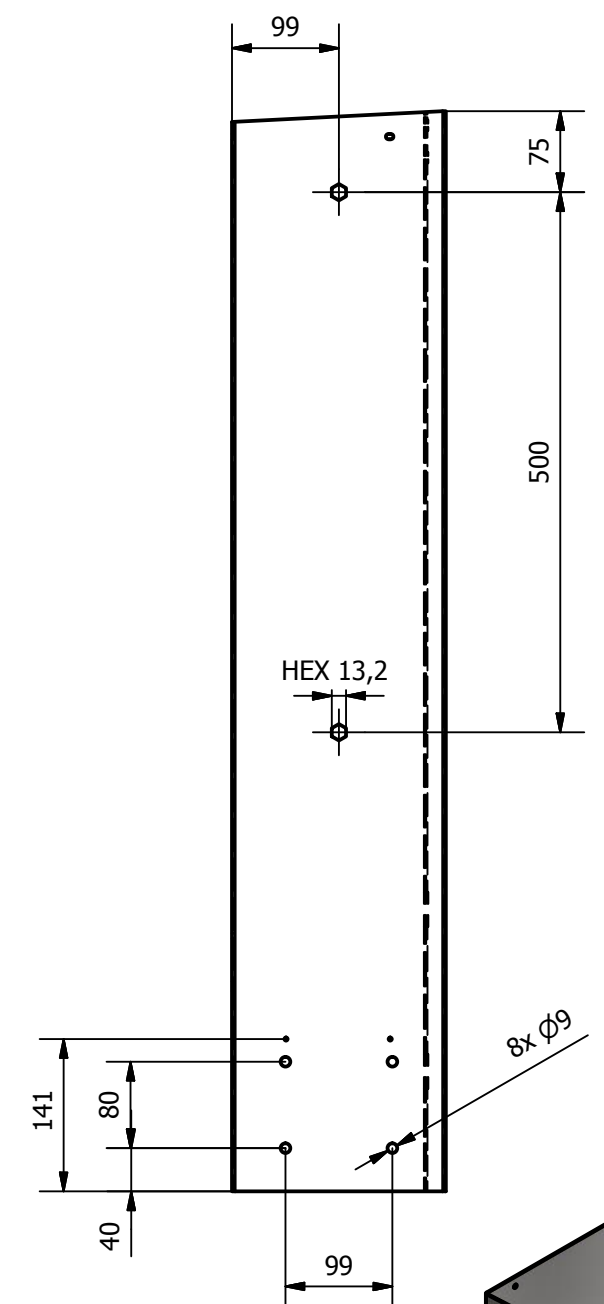
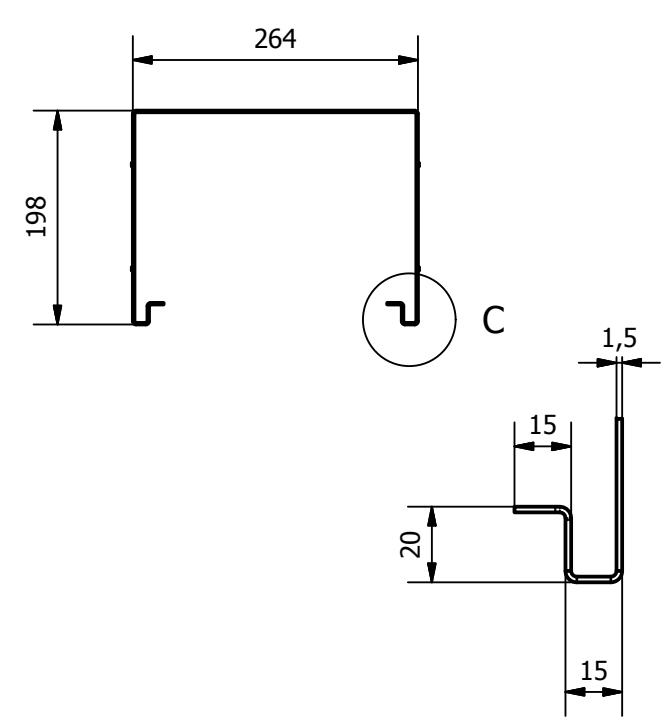
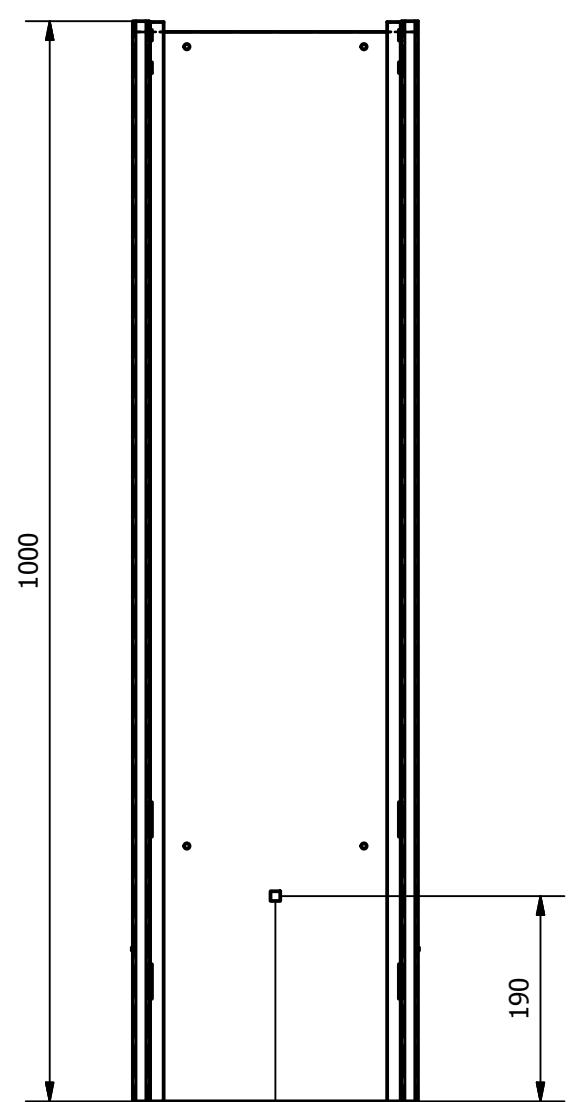
Designed by Ryszard	Checked by	Approved by	Date	Date	
				08.10.2019	
			Fiberskap 264x850x198		1801-110
Ordretekst: DUCATEL AS			1801-100	Edition 0	Rev 3 / 19




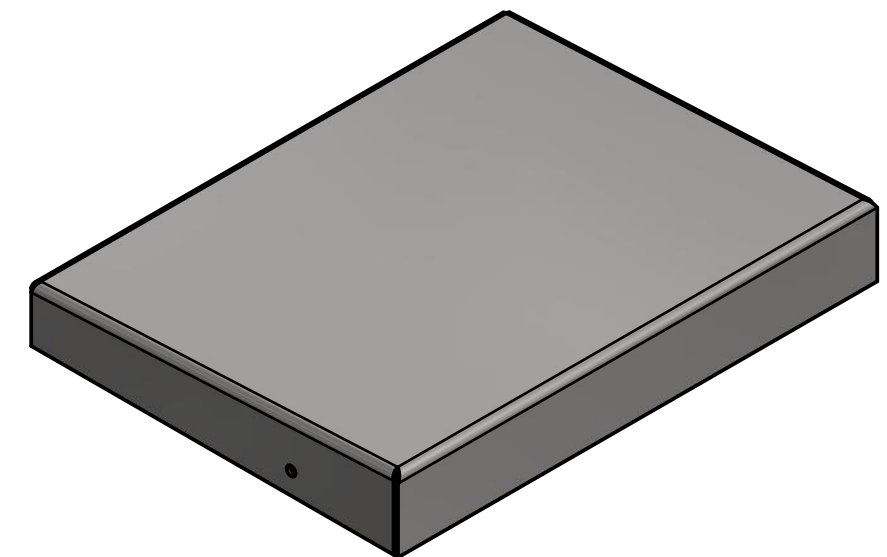
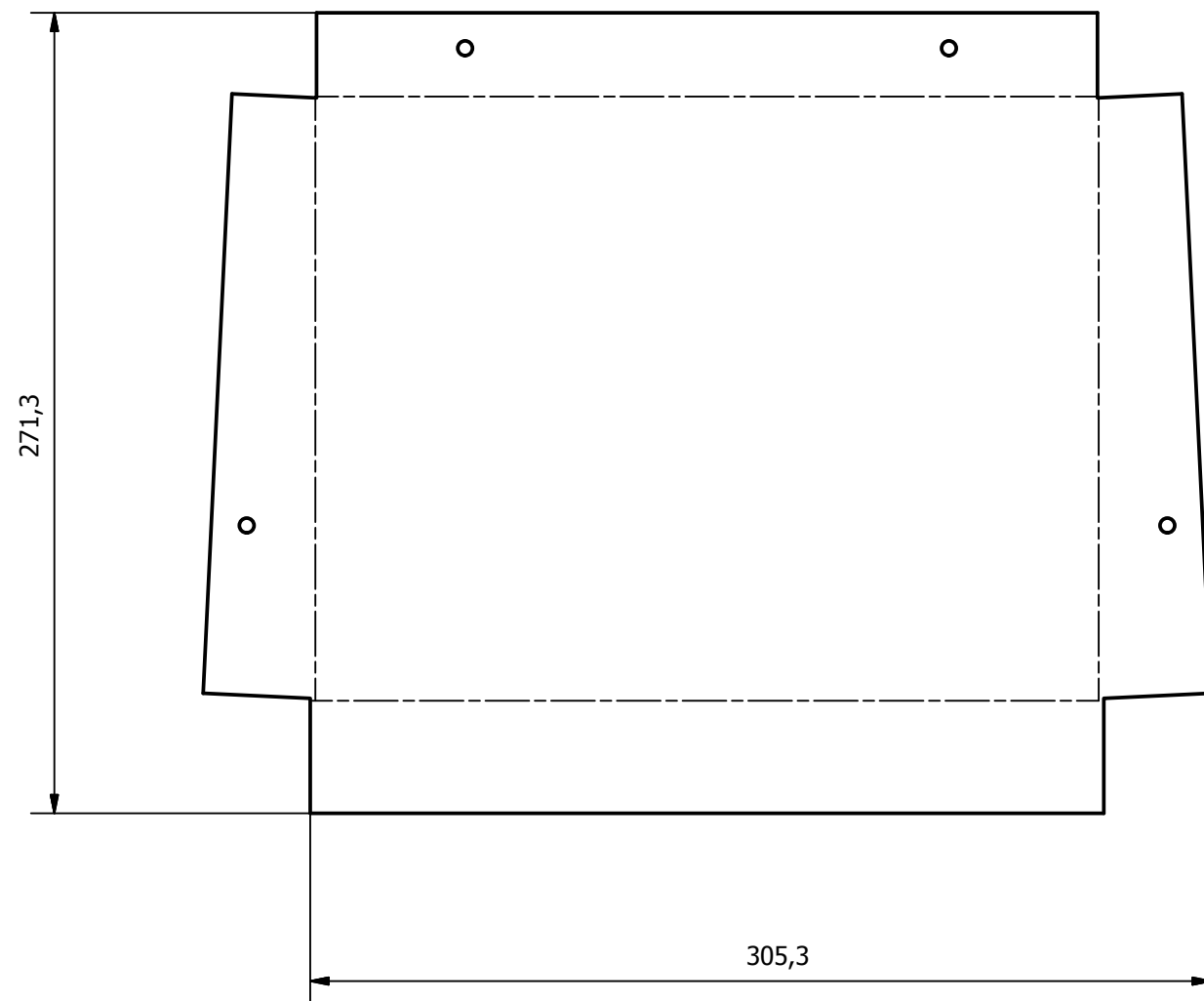
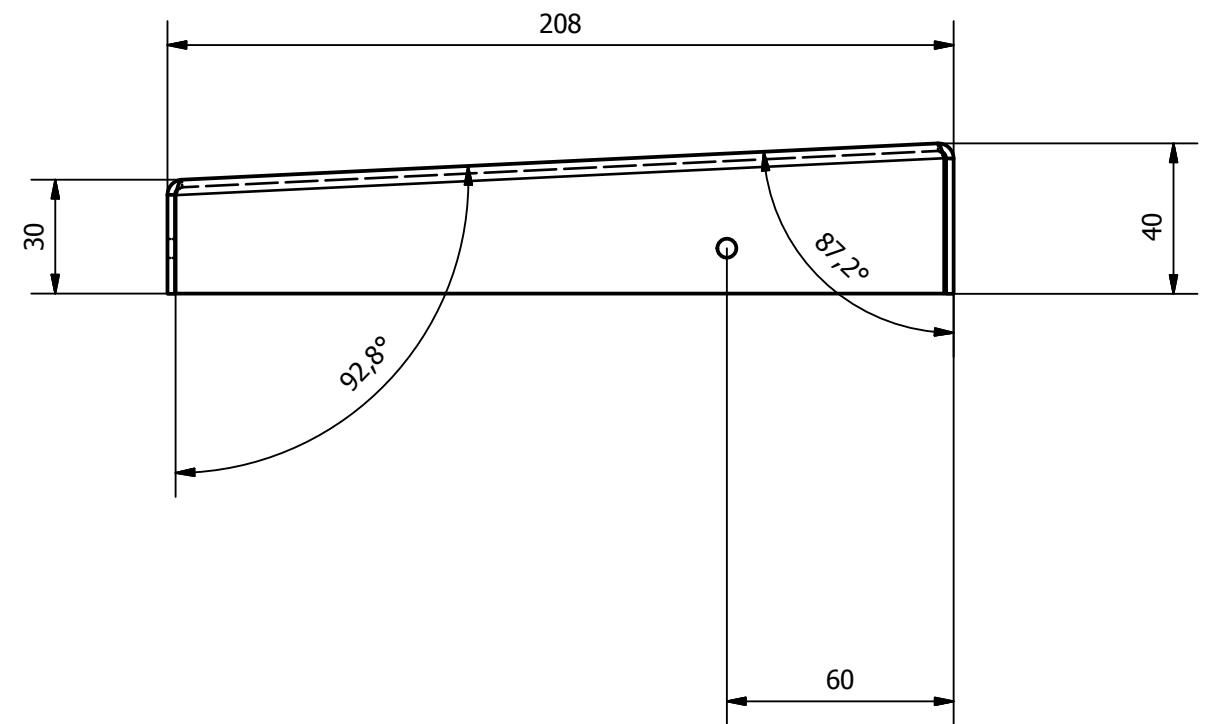
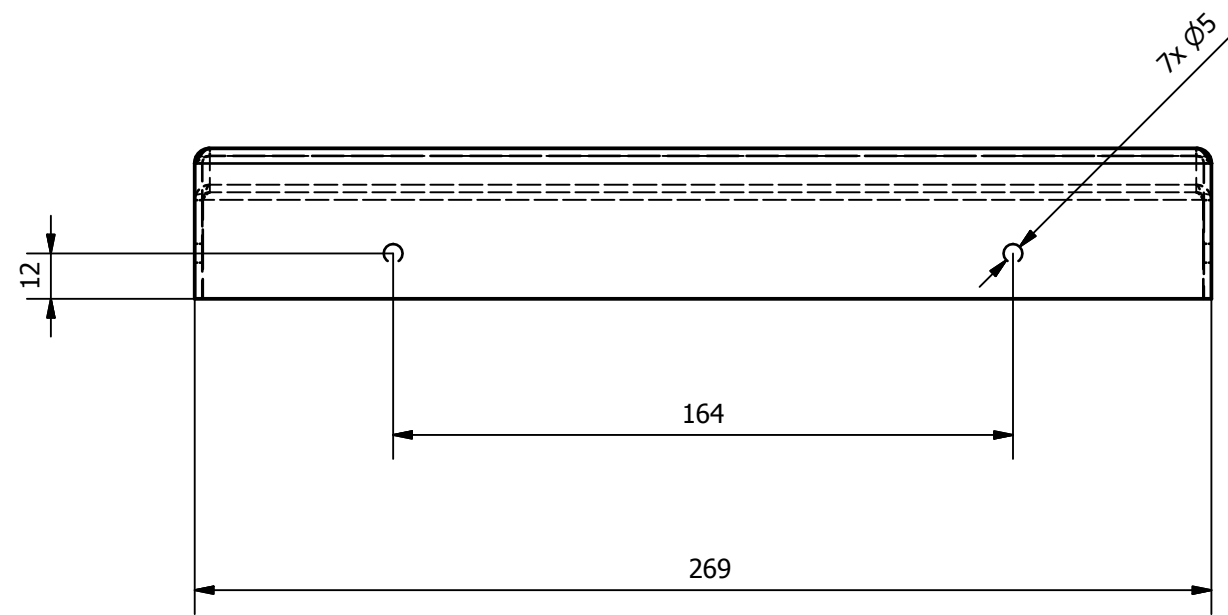
PARTS LIST			
ITEM	QTY	PART NUMBER	DESCRIPTION
1	1	1801-013 sokkel	1,5mm Galv
2	2	1801-014 feste kabel	1,5mm Galv
Designed by Ryszard		Checked by	Approved by
		Date	Date
			08.10.2019
		Fiberskap 264x850x198	
		1801-120	
Ordretooptekst: DUCATEL AS		1801-100	Edition 0
			Rev 4 / 19




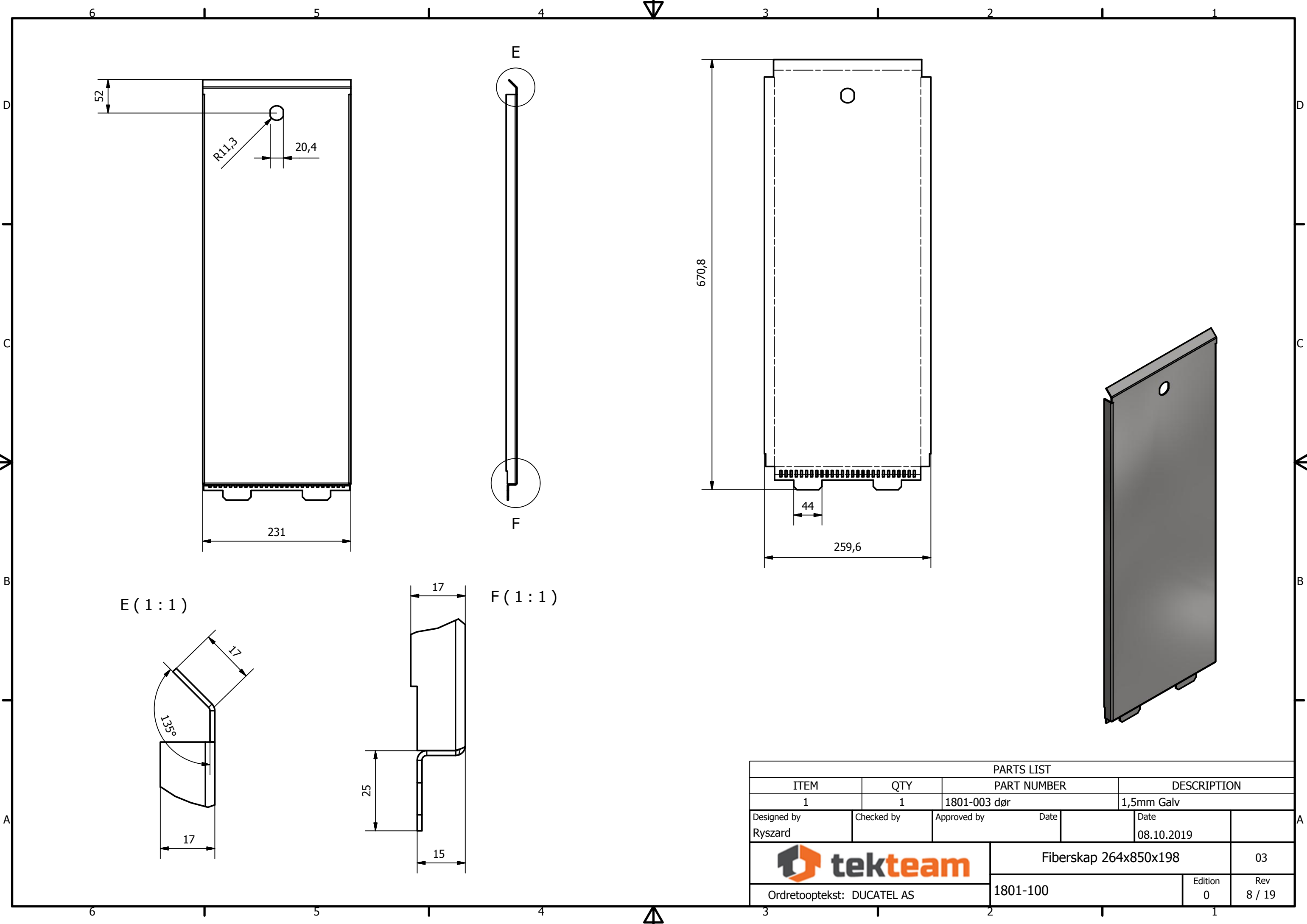
PARTS LIST			
ITEM	QTY	PART NUMBER	DESCRIPTION
1	1	1801-009 monteringsplate	
3	6	plateskrue 4,2x13	
4	2	1801-011 Radie-Begrensere	
Designed by Ryszard		Checked by	Approved by
		Date	Date 08.10.2019
		Fiberskap 264x850x198	
		1801-100	1801-130
Ordretooptekst: DUCATEL AS		Edition 0	Rev 5 / 19



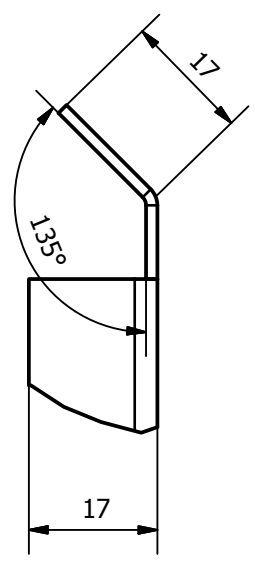
PARTS LIST			
ITEM	QTY	PART NUMBER	DESCRIPTION
1	1	1801-001 sarg	1,5mm Galv
Designed by Ryszard		Checked by	Approved by
		Date	Date
			08.10.2019
		Fiberskap 264x850x198	
Ordretooptekst: DUCATEL AS		1801-100	Edition 0 Rev 6 / 19



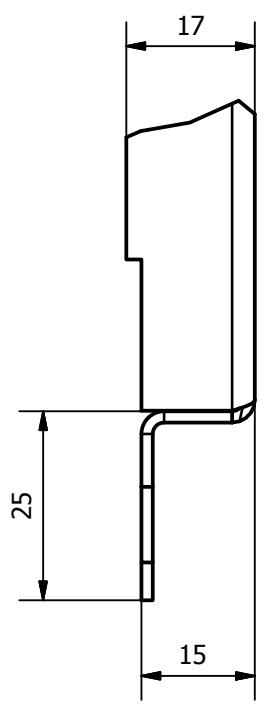
PARTS LIST			
ITEM	QTY	PART NUMBER	DESCRIPTION
1	1	1801-002 topp	1,5mm Galv
Designed by Ryszard	Checked by	Approved by	Date 08.10.2019
		Fiberskap 264x850x198	02
Ordretooptekst: DUCATEL AS		1801-100	Edition 0 Rev 7 / 19




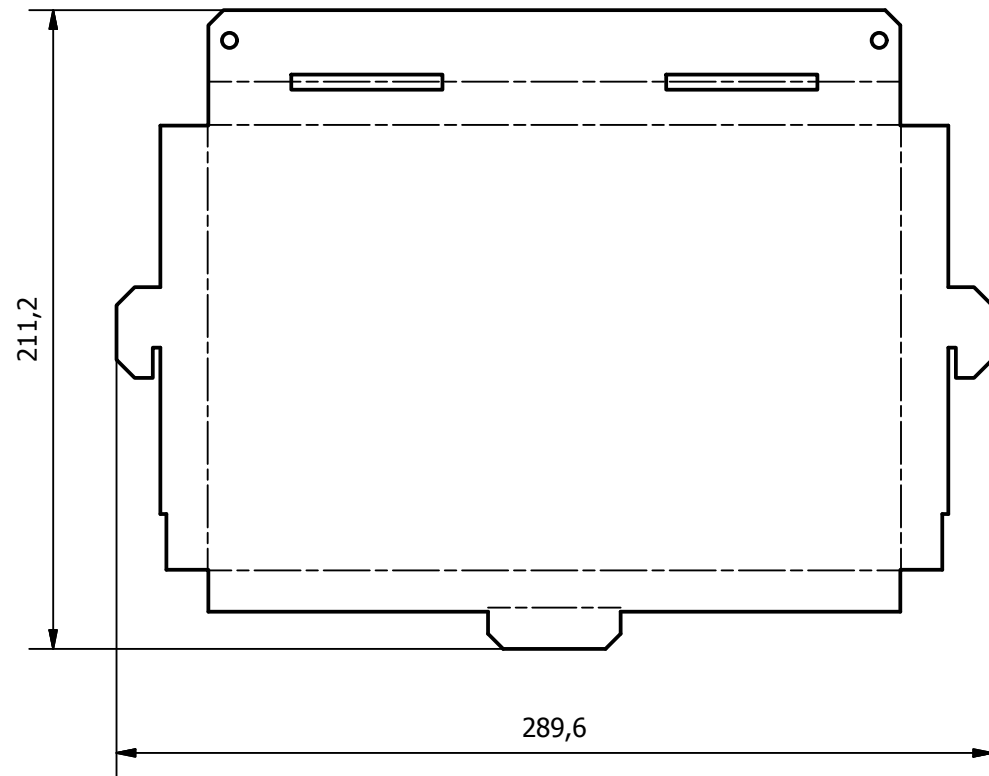
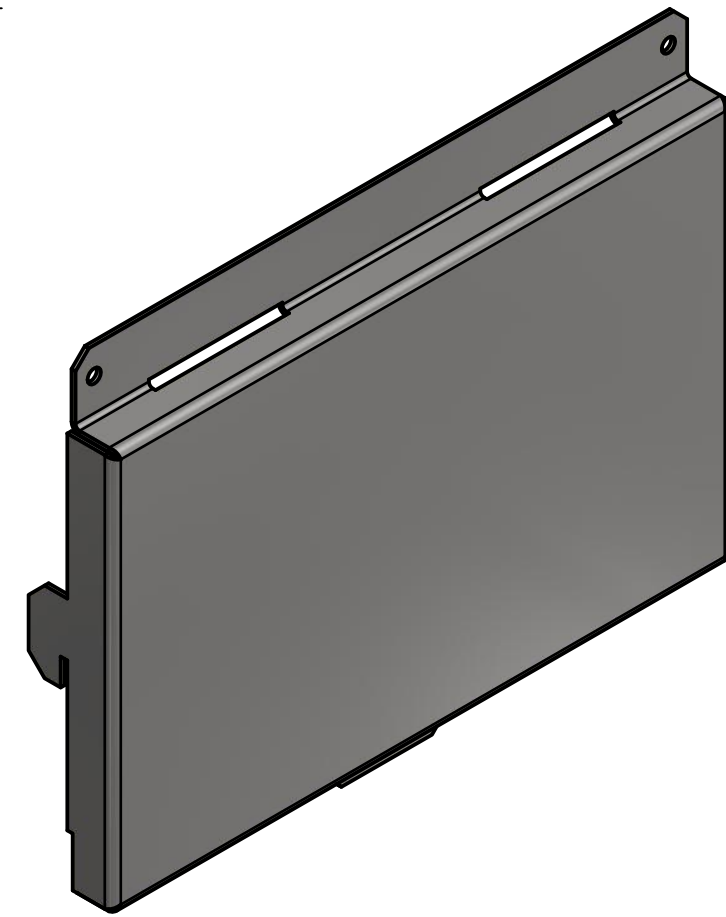
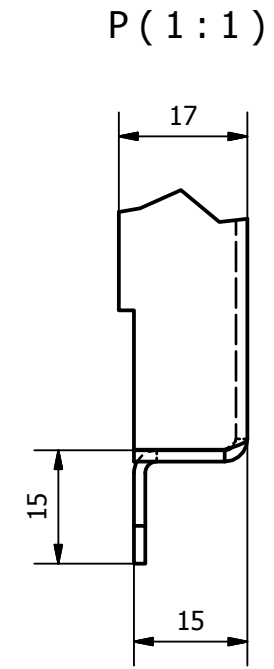
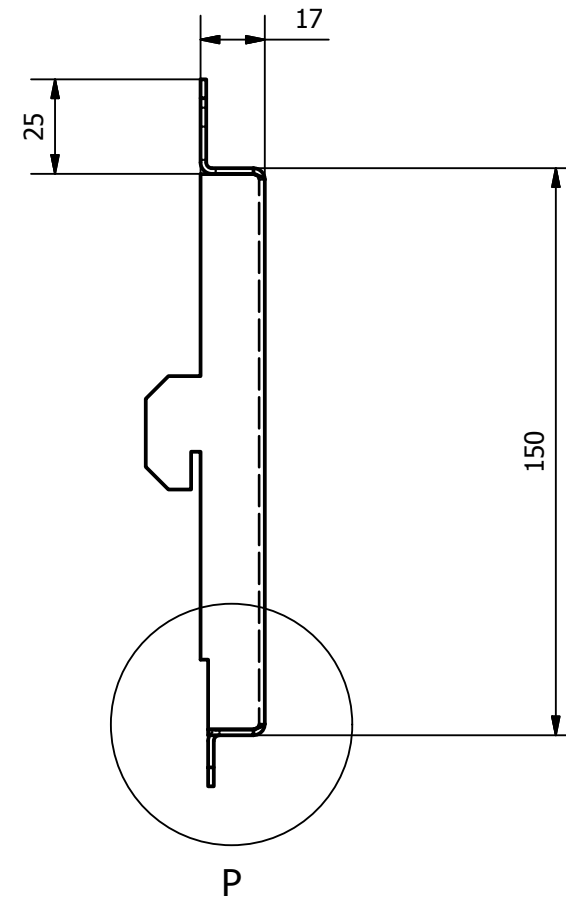
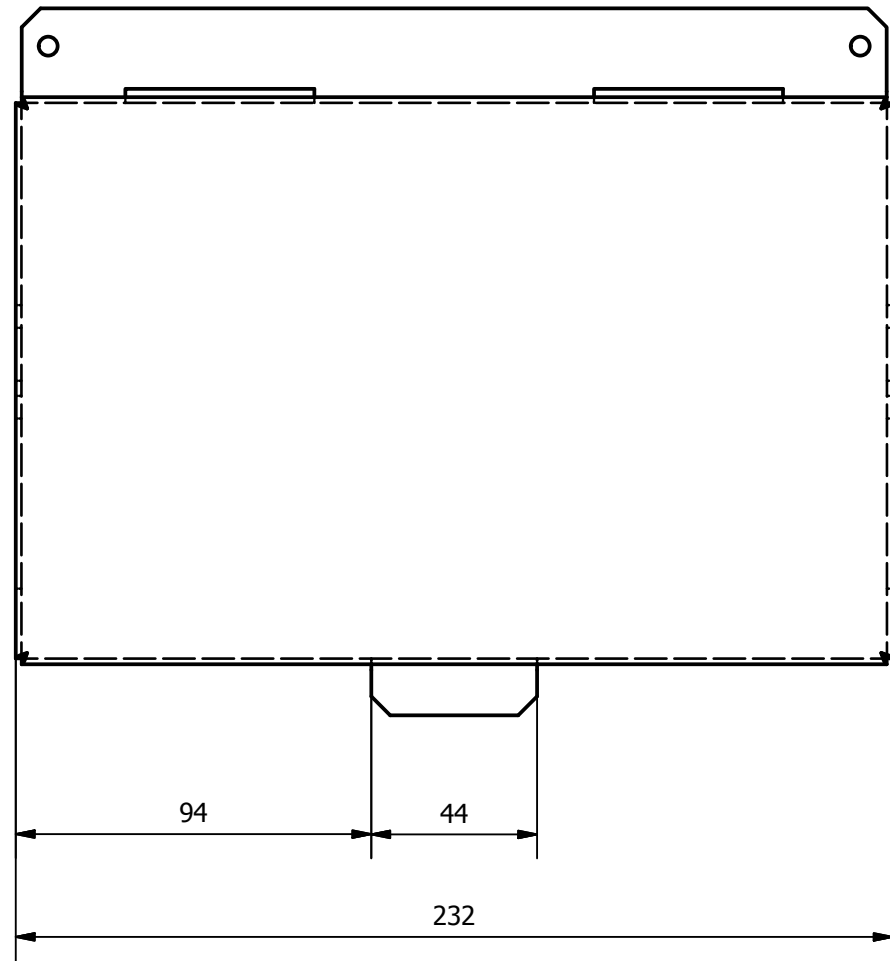
E (1:1)




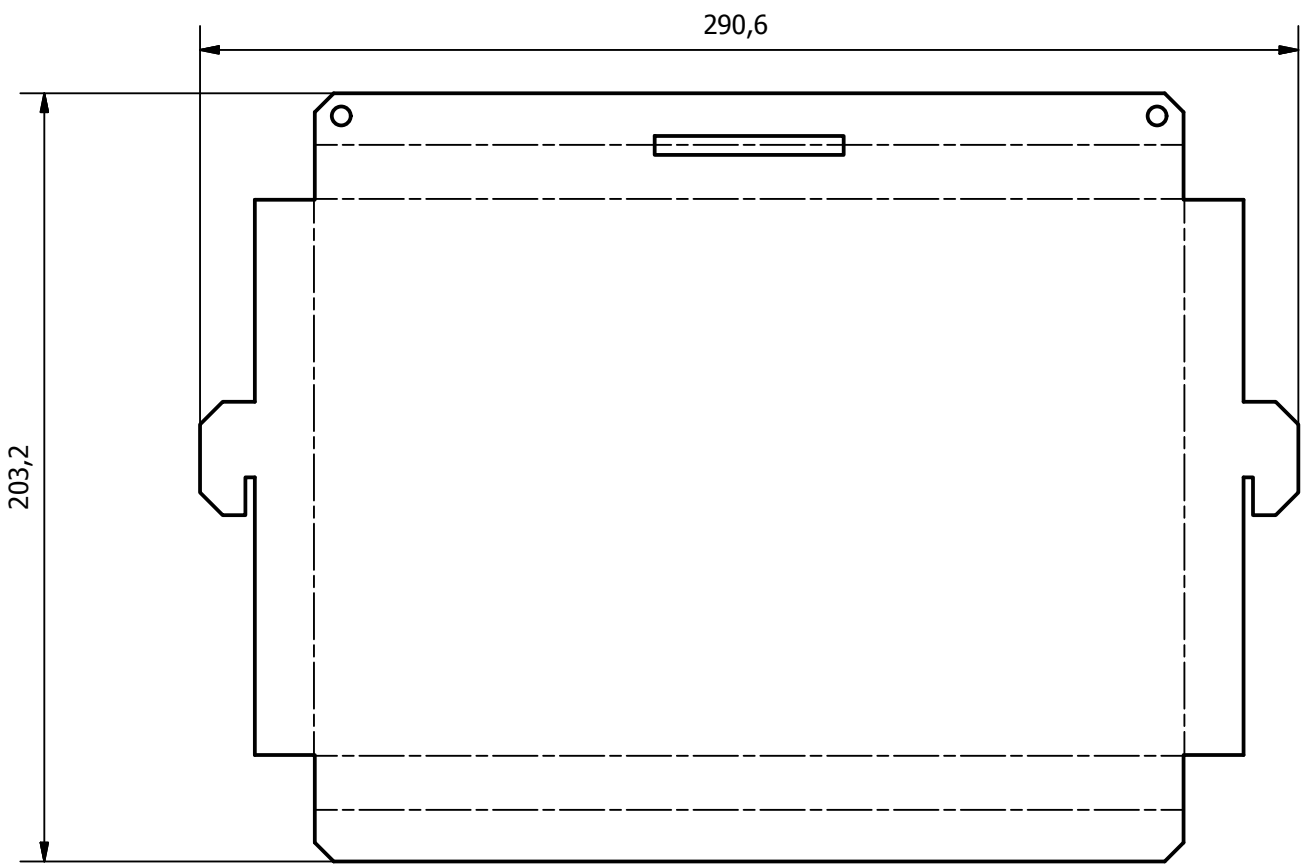
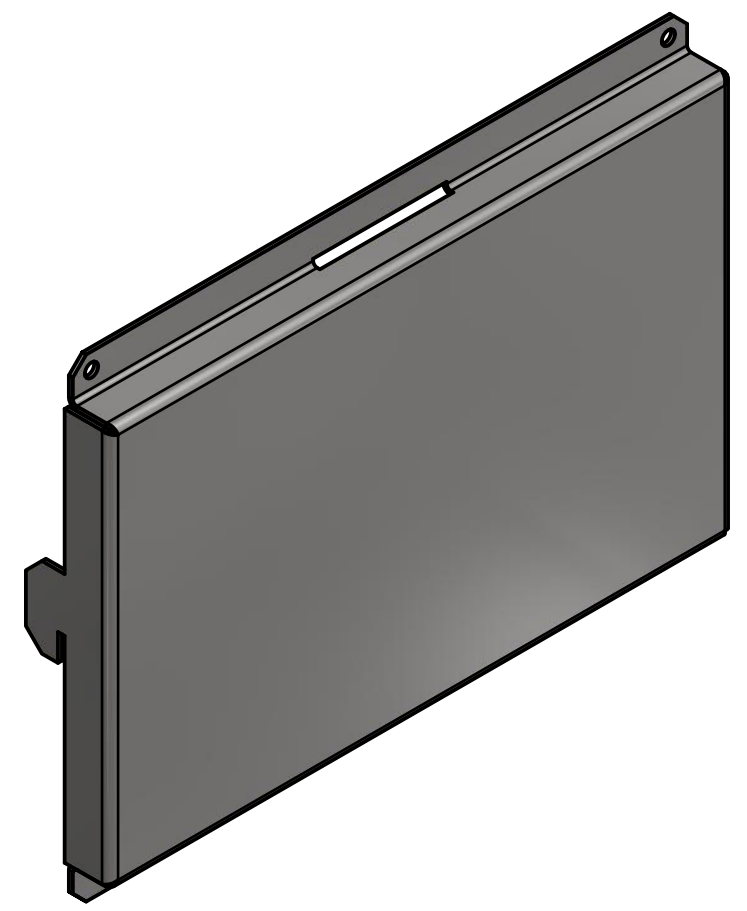
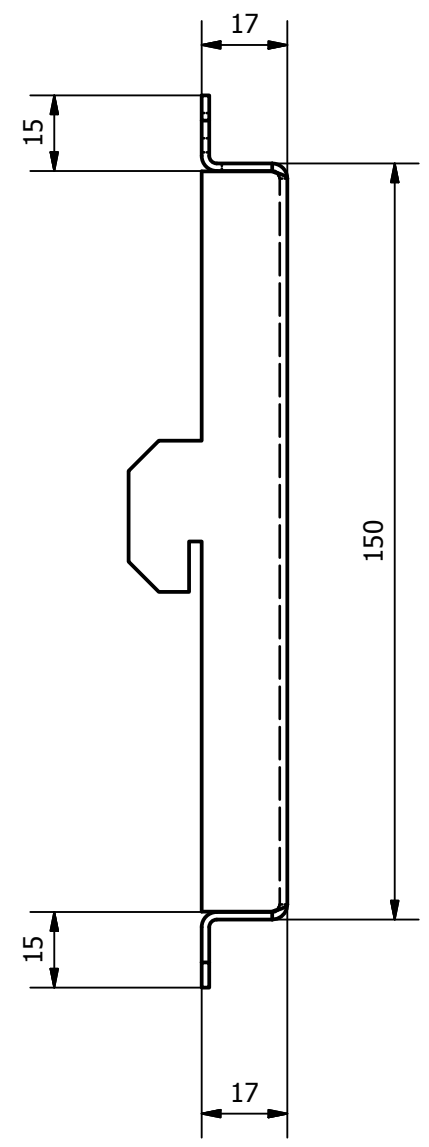
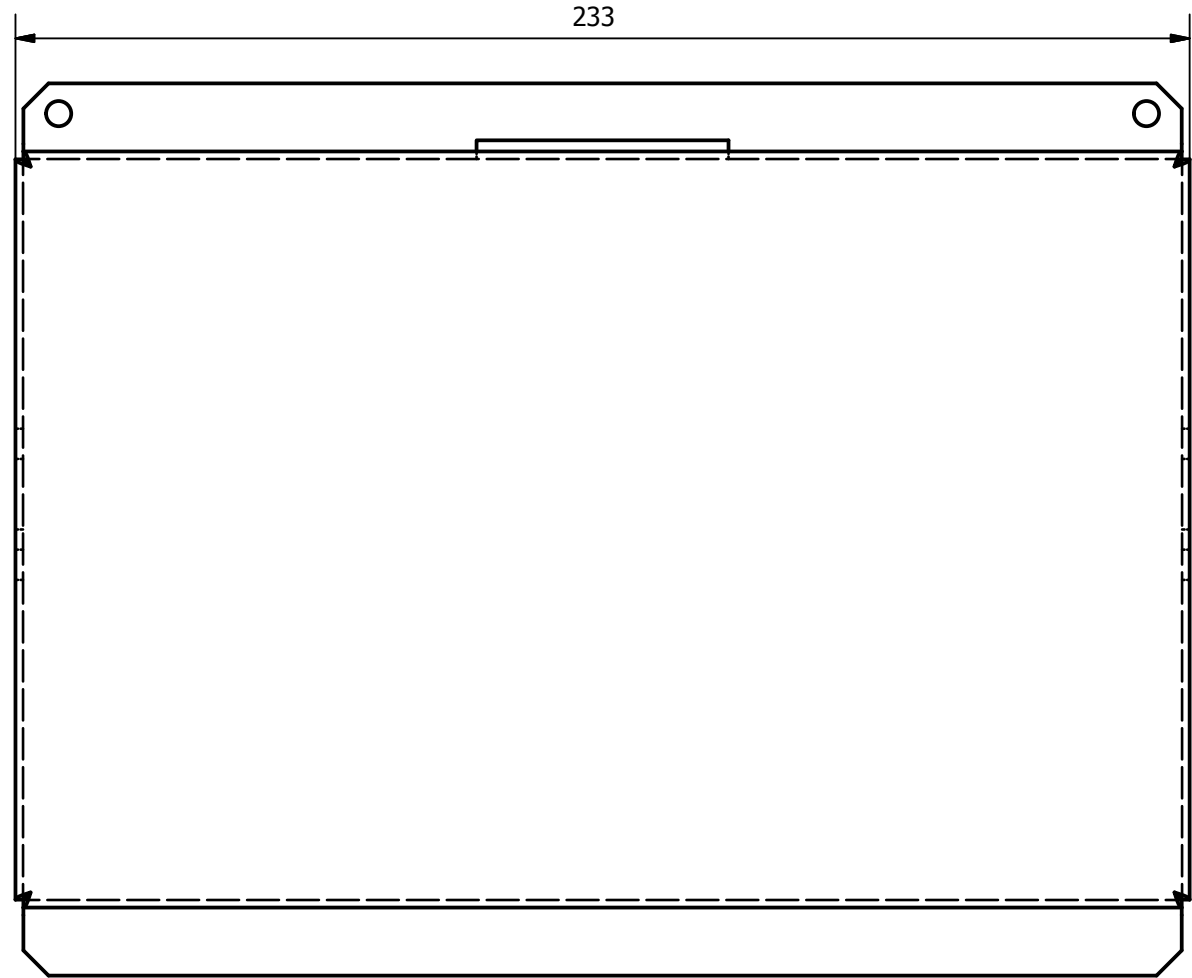
F (1:1)




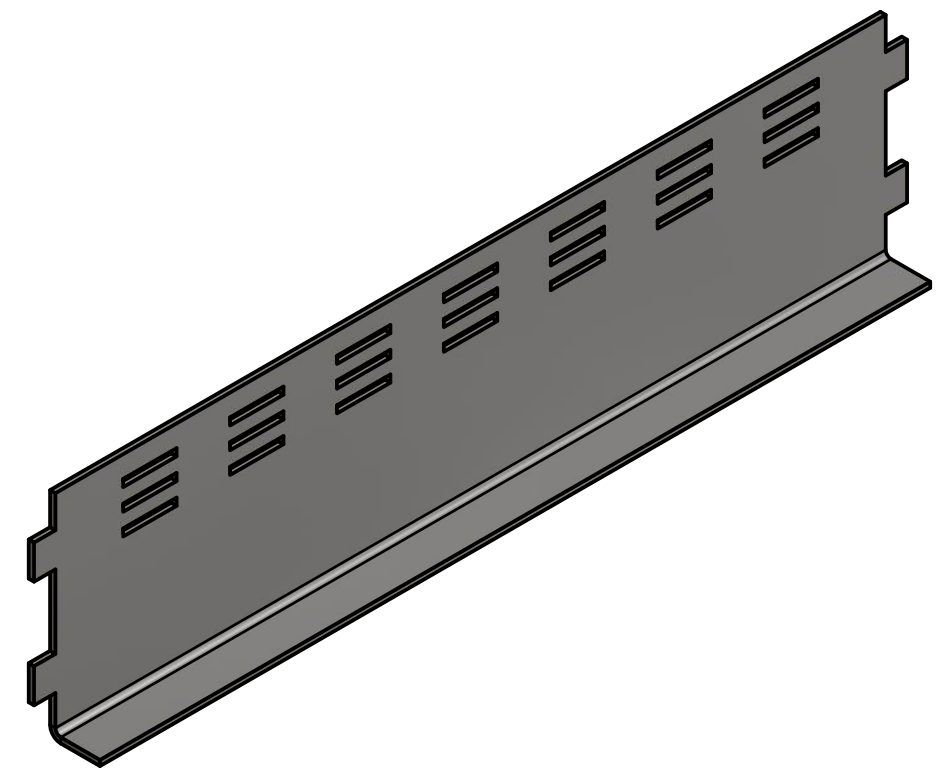
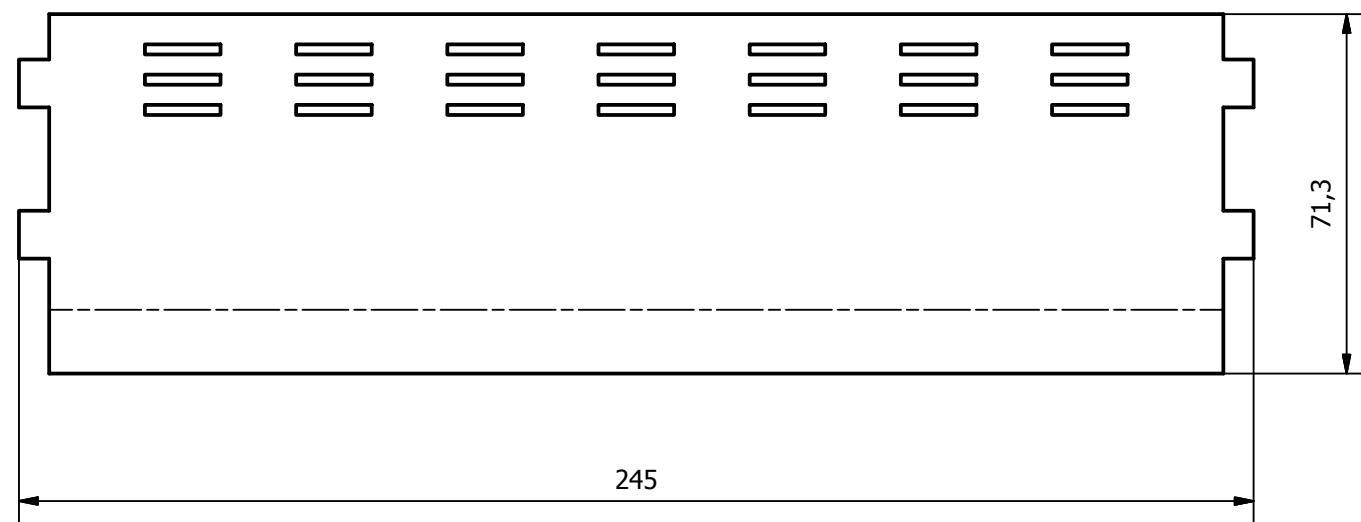
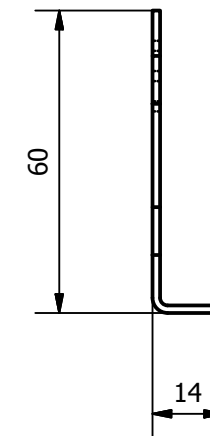
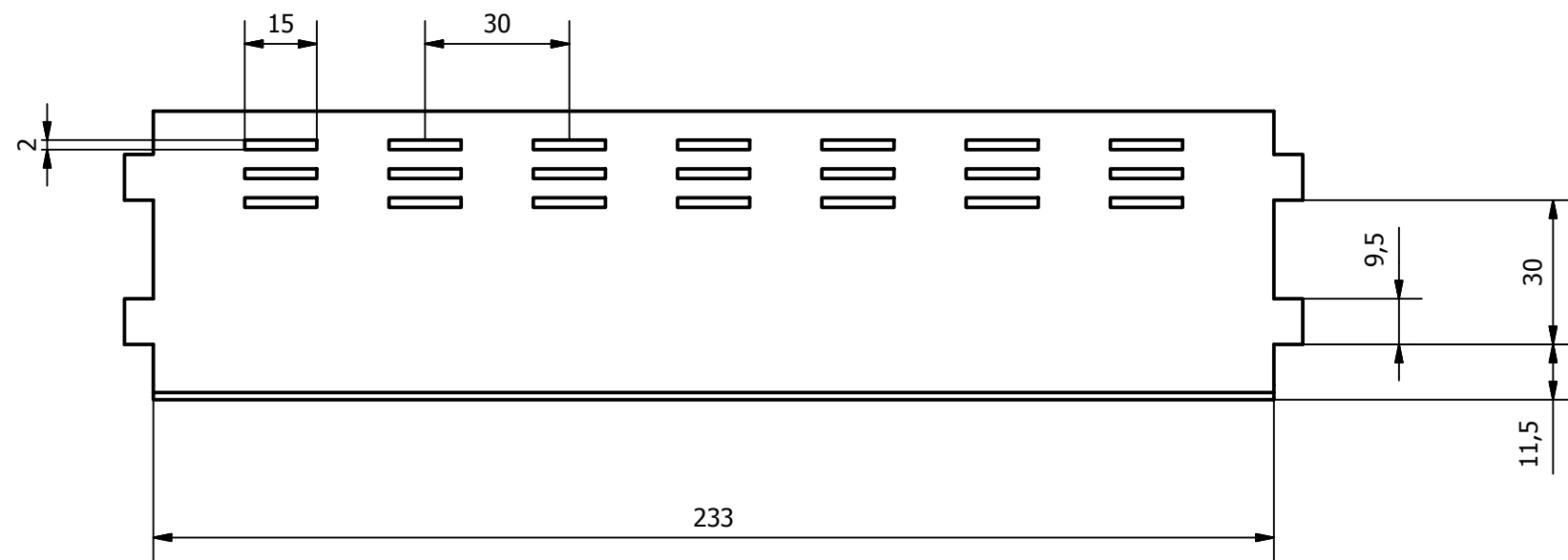
PARTS LIST				
ITEM	QTY	PART NUMBER	DESCRIPTION	
1	1	1801-003 dør	1,5mm Galv	
Designed by Ryszard	Checked by	Approved by	Date	Date
				08.10.2019
		Fiberskap 264x850x198		03
		Ordretooptekst: DUCATEL AS	1801-100	Edition 0




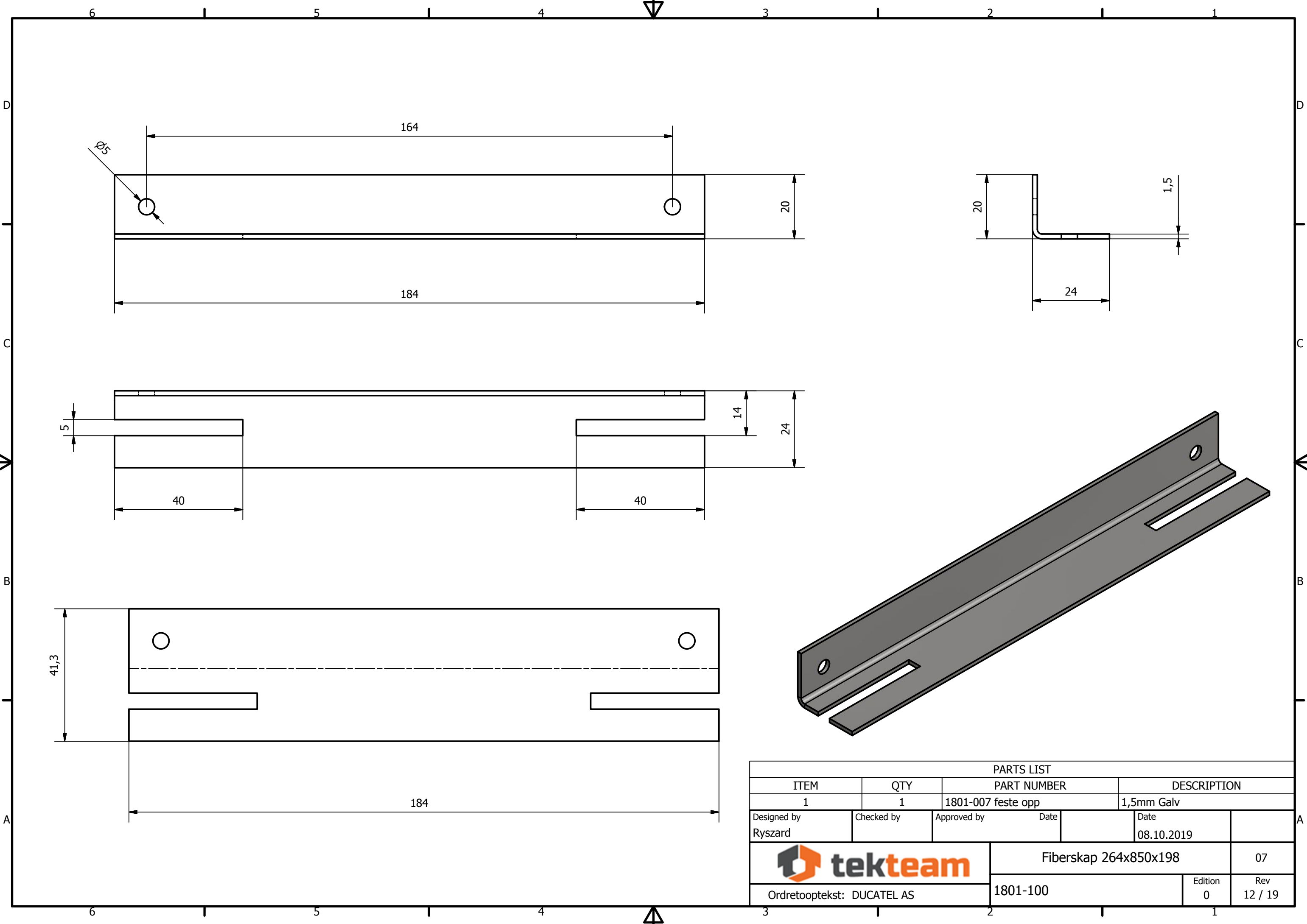
PARTS LIST			
ITEM	QTY	PART NUMBER	DESCRIPTION
1	1	1801-004 nedre front 2	1,5mm Galv
Designed by Ryszard	Checked by	Approved by	Date 08.10.2019
		Fiberskap 264x850x198	
		1801-100	04
Ordretooptekst: DUCATEL AS		1801-100	Edition 0 Rev 9 / 19




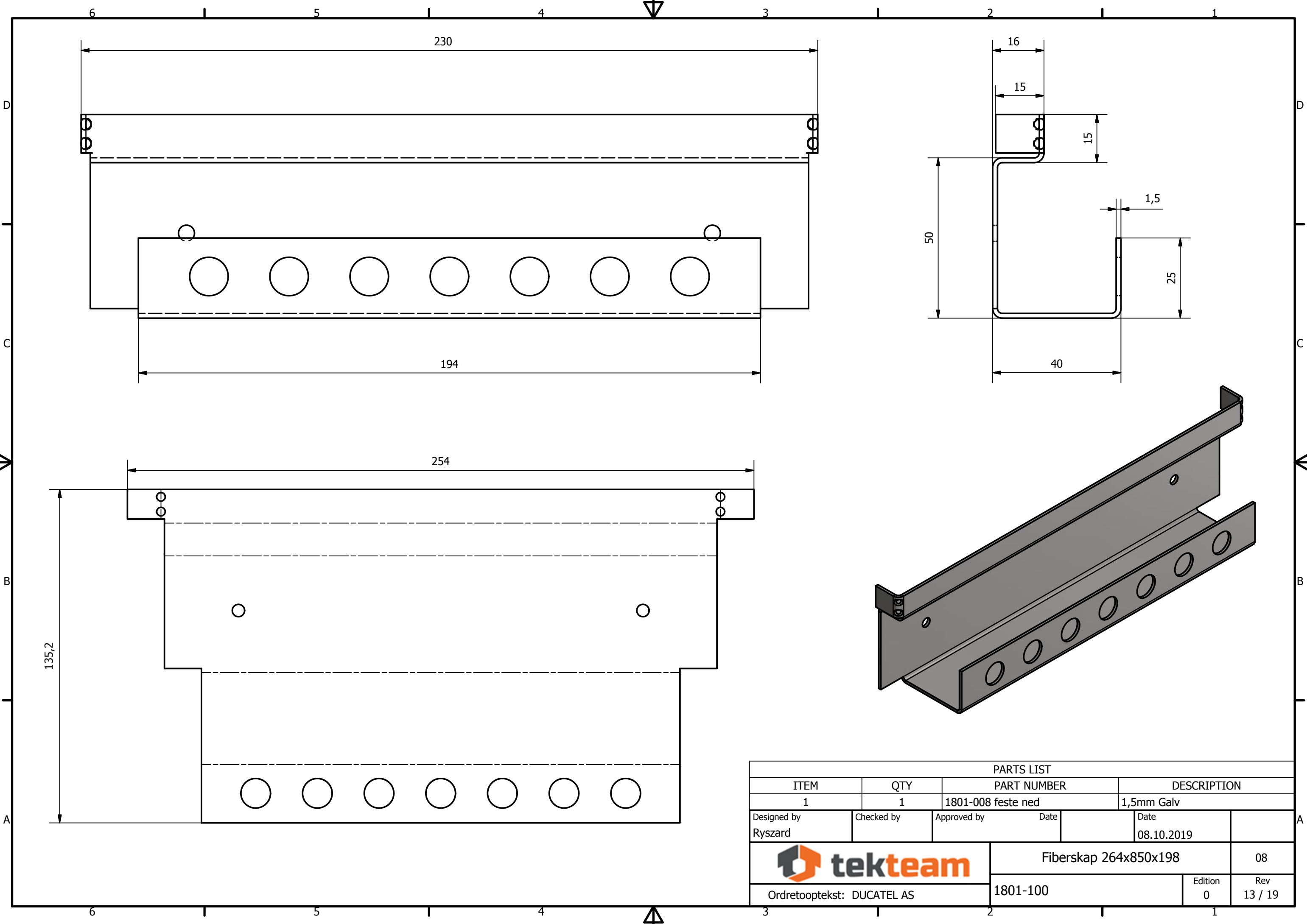
PARTS LIST			
ITEM	QTY	PART NUMBER	DESCRIPTION
1	1	1801-012 nedre front 1	1,5mm Galv
Designed by Ryszard	Checked by	Approved by	Date 08.10.2019
		Fiberskap 264x850x198	
		1801-100	Edition 0 Rev 10 / 19
Ordretooptekst: DUCATEL AS			




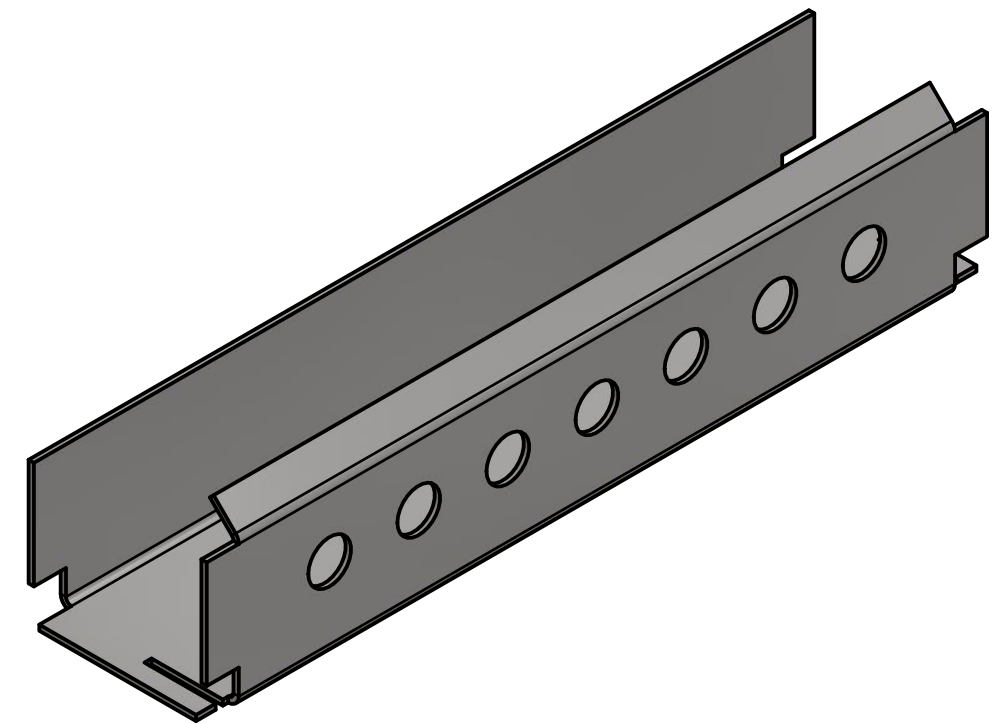
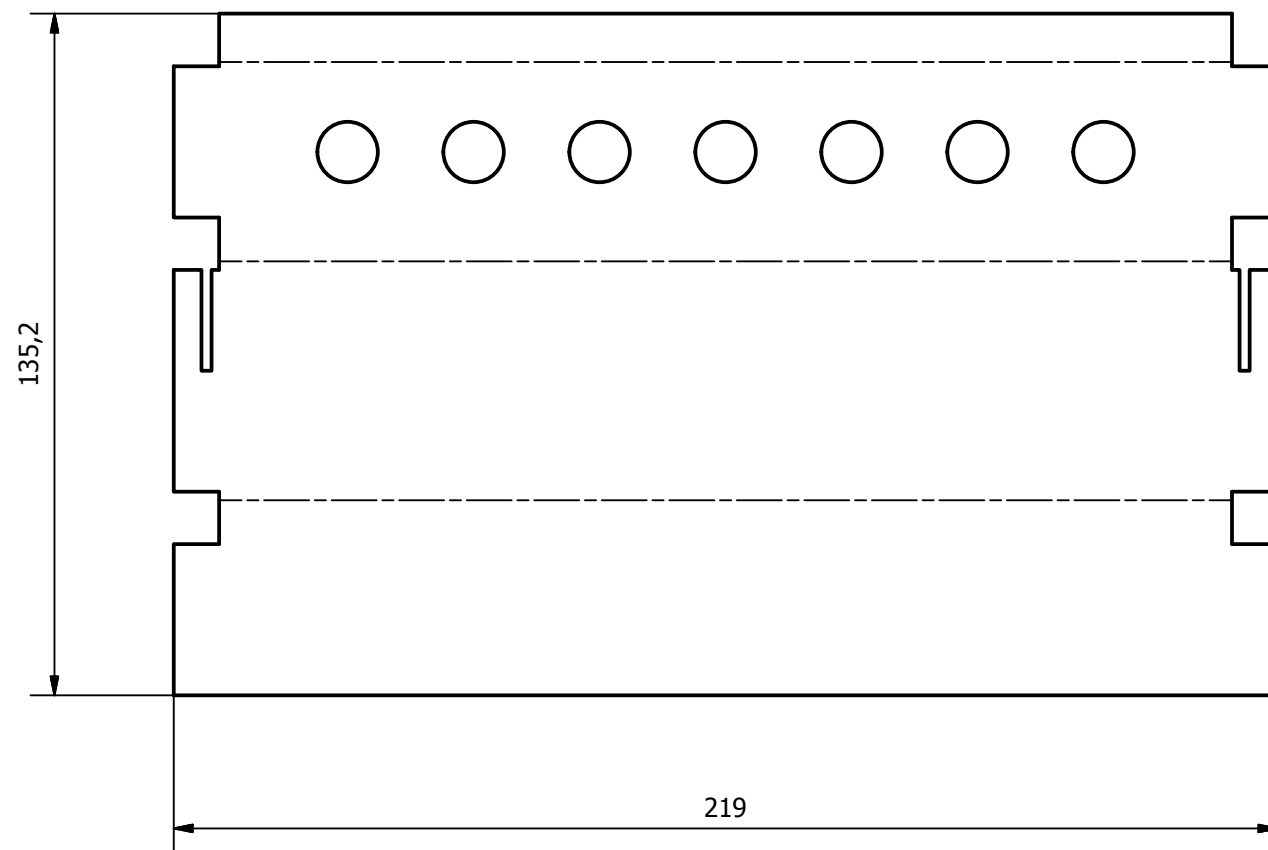
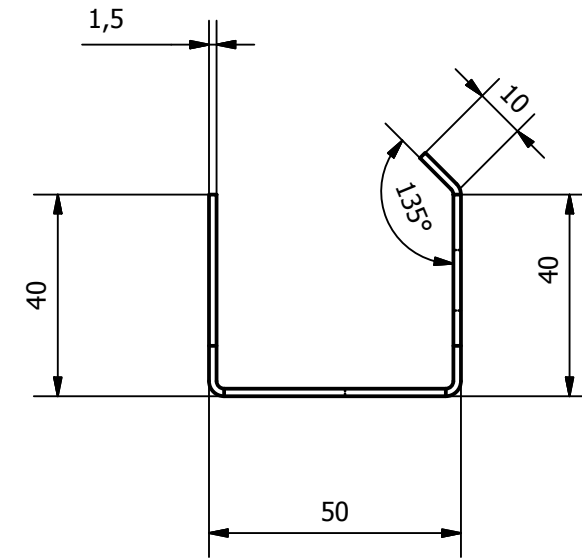
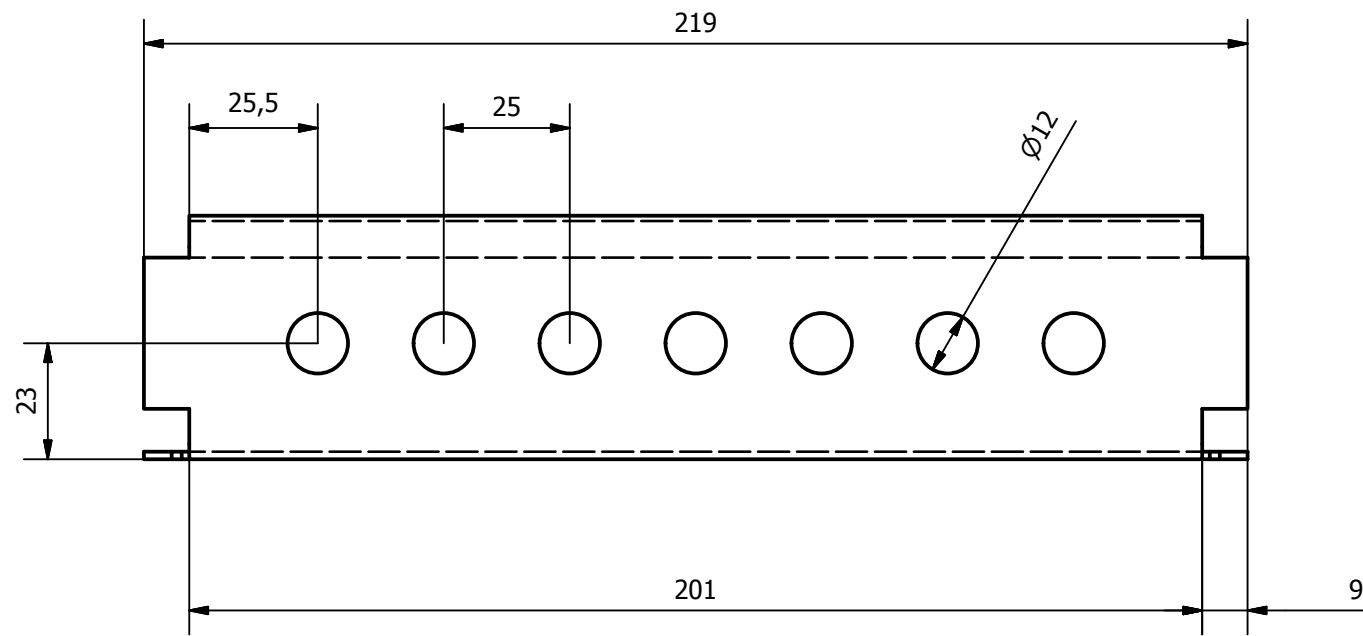
PARTS LIST			
ITEM	QTY	PART NUMBER	DESCRIPTION
1	1	1801-005 vinkel	1,5mm Galv
Designed by Ryszard	Checked by	Approved by	Date 08.10.2019
		Fiberskap 264x850x198	
		1801-100	05
Ordretooptekst: DUCATEL AS		Edition 0	Rev 11 / 19




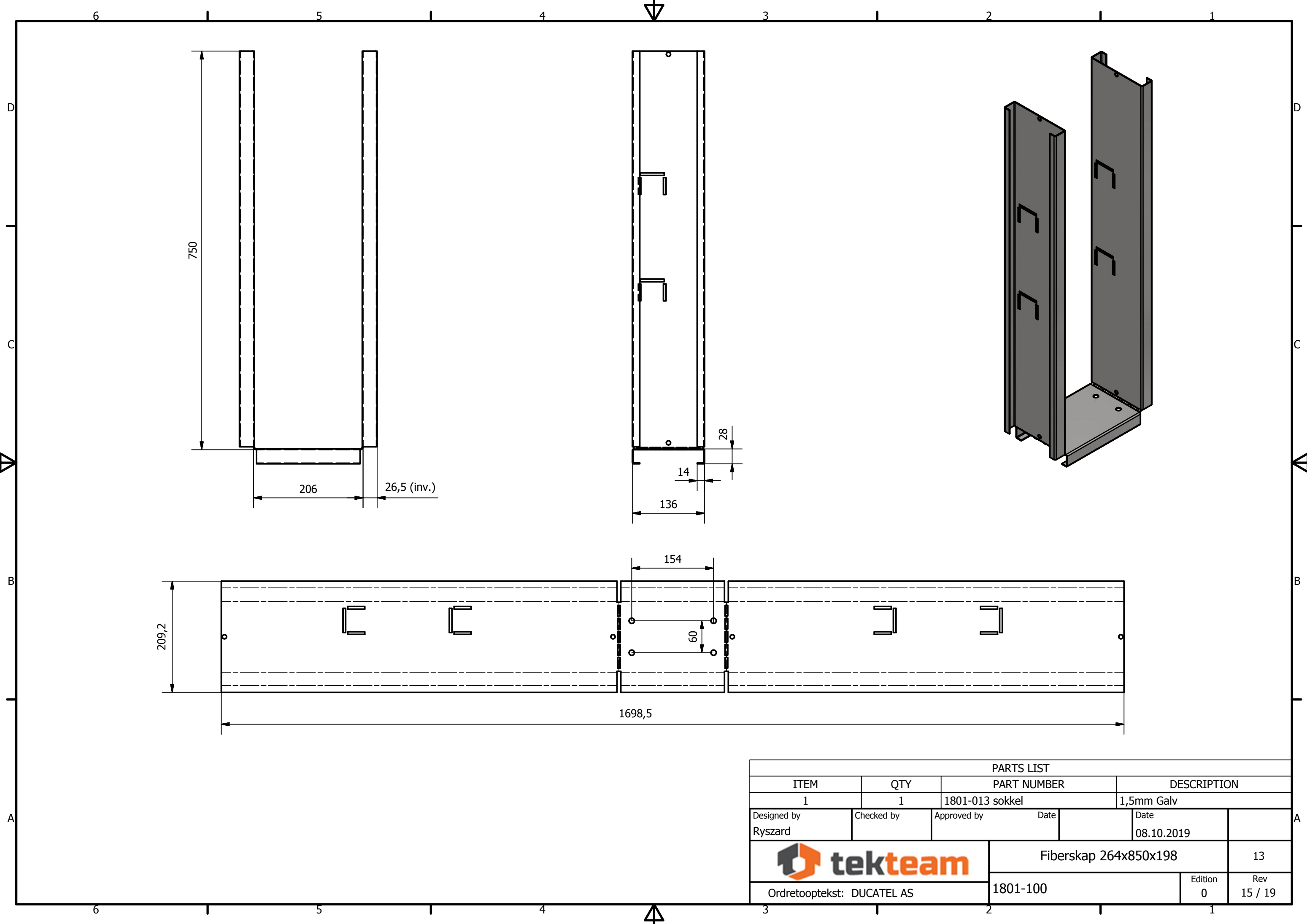
PARTS LIST				
ITEM	QTY	PART NUMBER	DESCRIPTION	
1	1	1801-007 feste opp	1,5mm Galv	
Designed by Ryszard	Checked by	Approved by	Date	Date
				08.10.2019
		Fiberskap 264x850x198		07
Ordretooptekst: DUCATEL AS		1801-100	Edition 0	Rev 12 / 19




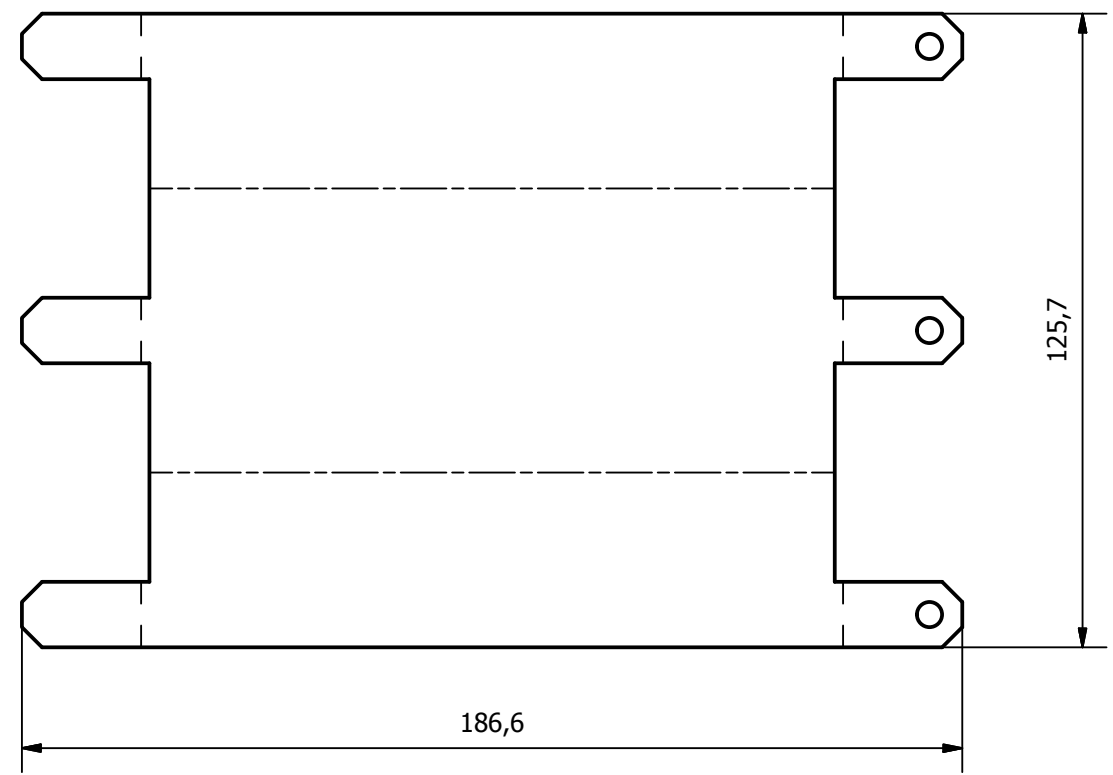
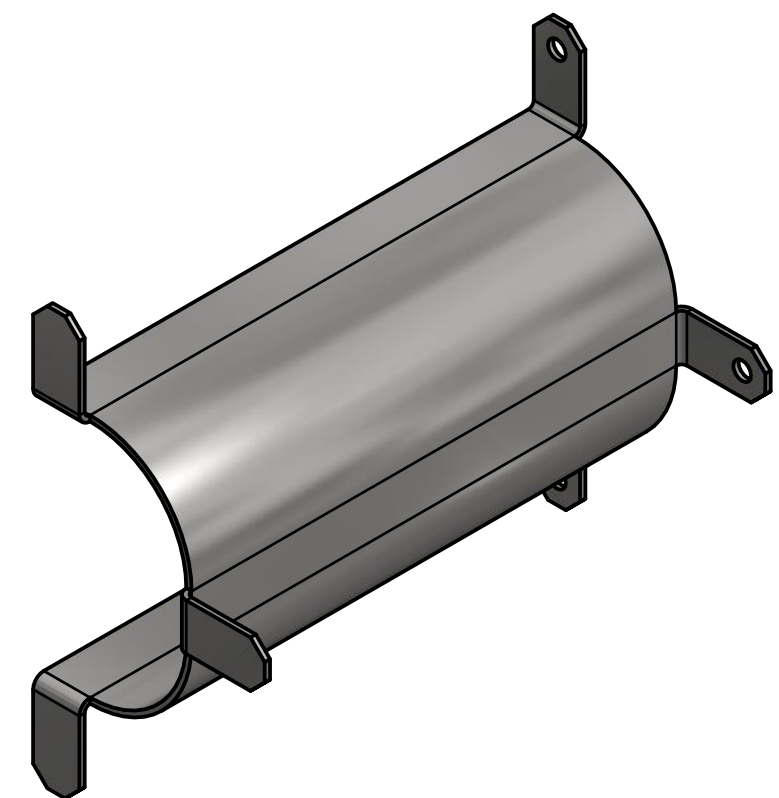
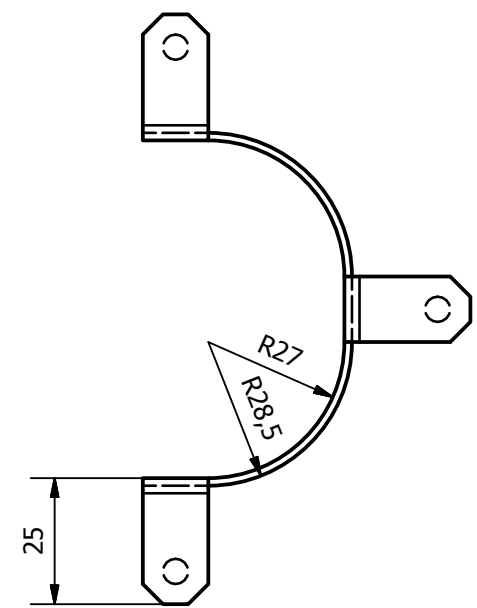
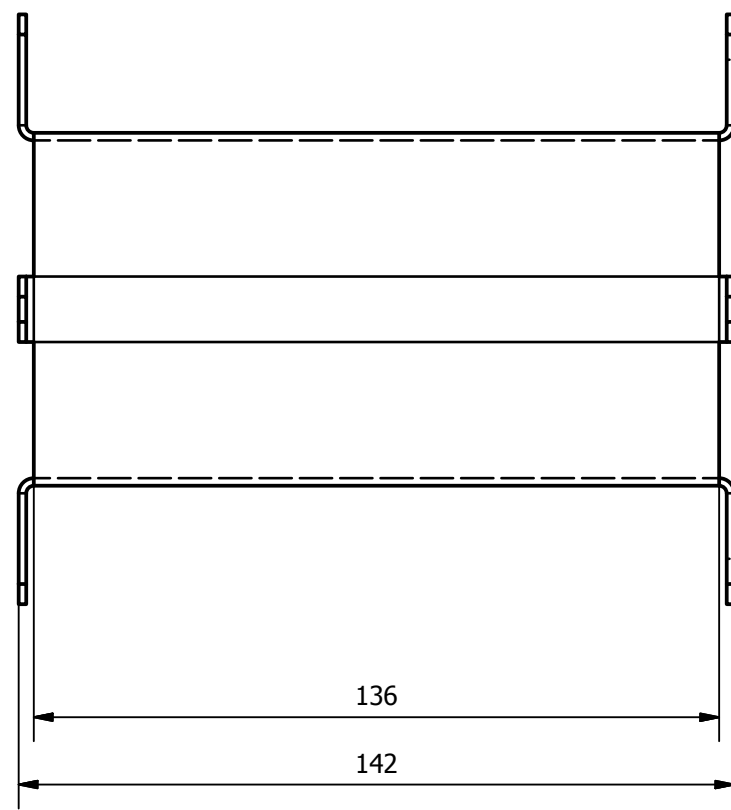
PARTS LIST				
ITEM	QTY	PART NUMBER	DESCRIPTION	
1	1	1801-008 feste ned	1,5mm Galv	
Designed by Ryszard	Checked by	Approved by	Date	Date
				08.10.2019
		Fiberskap 264x850x198		08
		1801-100	Edition 0	Rev 13 / 19
Ordretooptekst: DUCATEL AS				




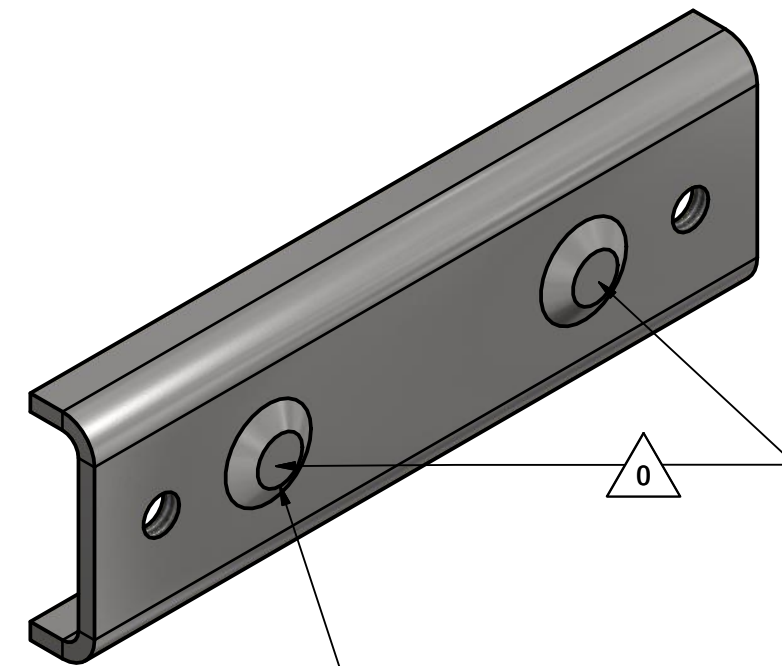
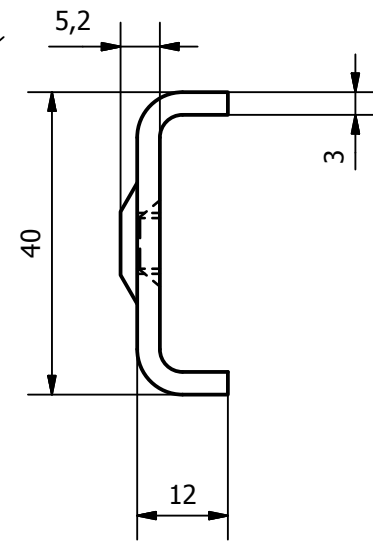
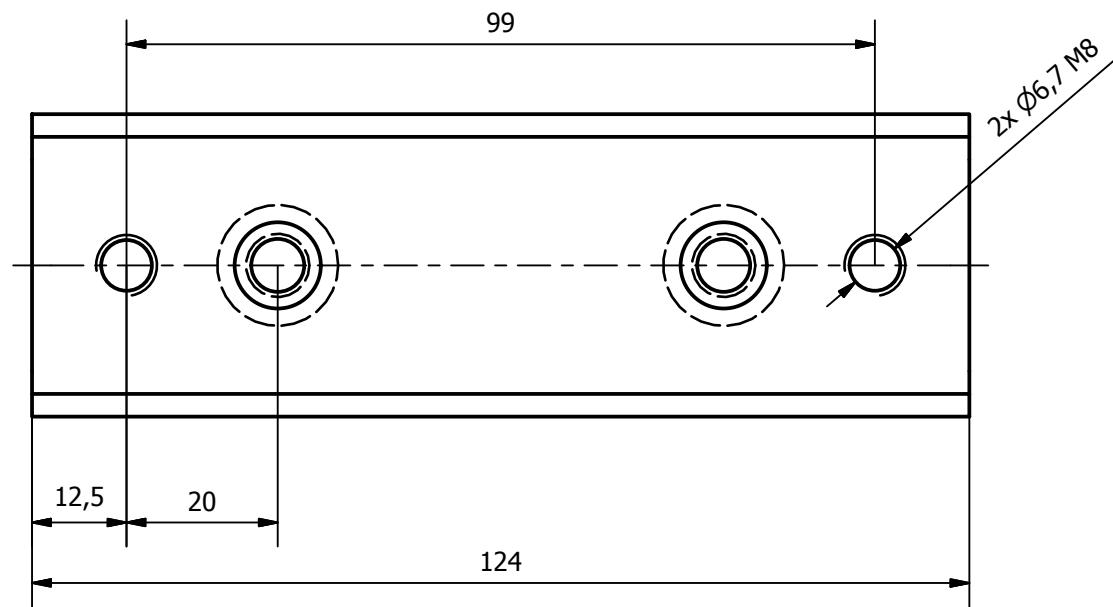
PARTS LIST			
ITEM	QTY	PART NUMBER	DESCRIPTION
1	2	1801-014 feste kabel	1,5mm Galv
Designed by Ryszard	Checked by	Approved by	Date 08.10.2019
		Fiberskap 264x850x198	
		14	
Ordretooptekst: DUCATEL AS		1801-100	Edition 0
			Rev 14 / 19



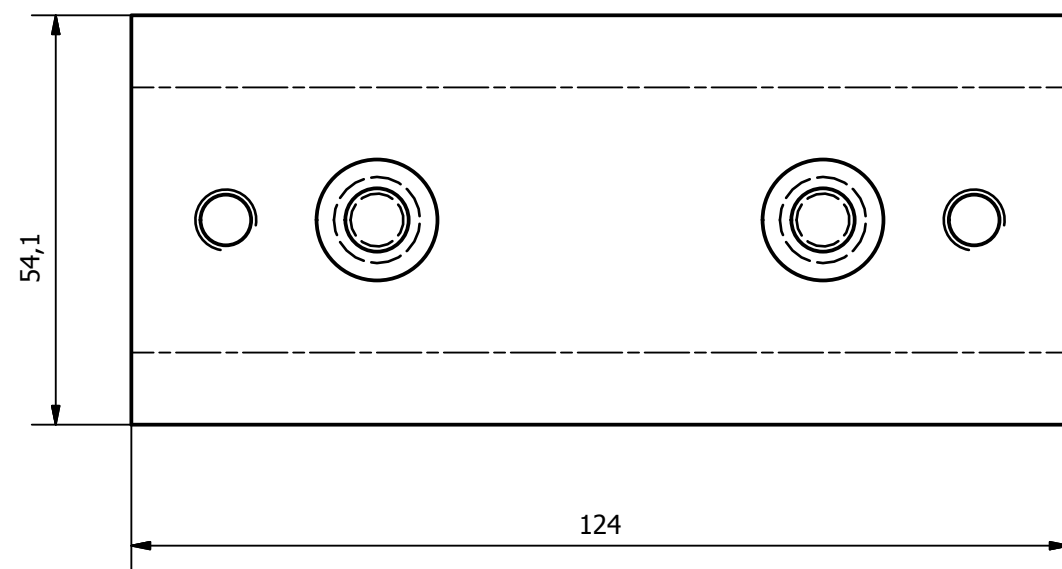
PARTS LIST			
ITEM	QTY	PART NUMBER	DESCRIPTION
1	1	1801-013 sokkel	1,5mm Galv
Designed by Ryszard	Checked by	Approved by	Date 08.10.2019
		Fiberskap 264x850x198	
		13	
Ordretooptekst: DUCATEL AS		1801-100	Edition 0 Rev 15 / 19




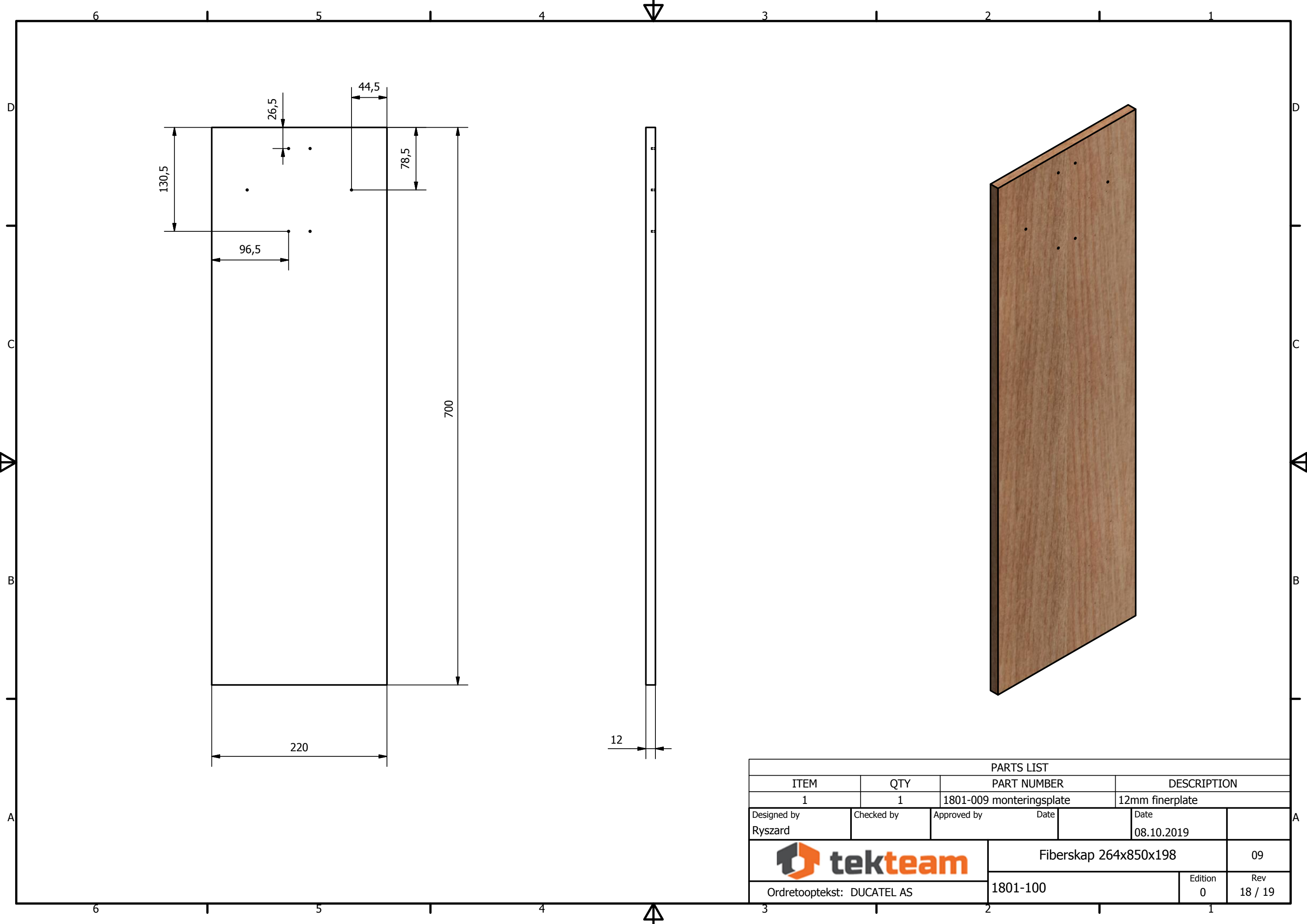
PARTS LIST			
ITEM	QTY	PART NUMBER	DESCRIPTION
1	1	1801-011 Radie-Begrensere	1,5 GALV
Designed by Ryszard	Checked by	Approved by	Date 08.10.2019
		Fiberskap 264x850x198	
		11	
Ordretooptekst: DUCATEL AS		1801-100	Edition 0 Rev 16 / 19




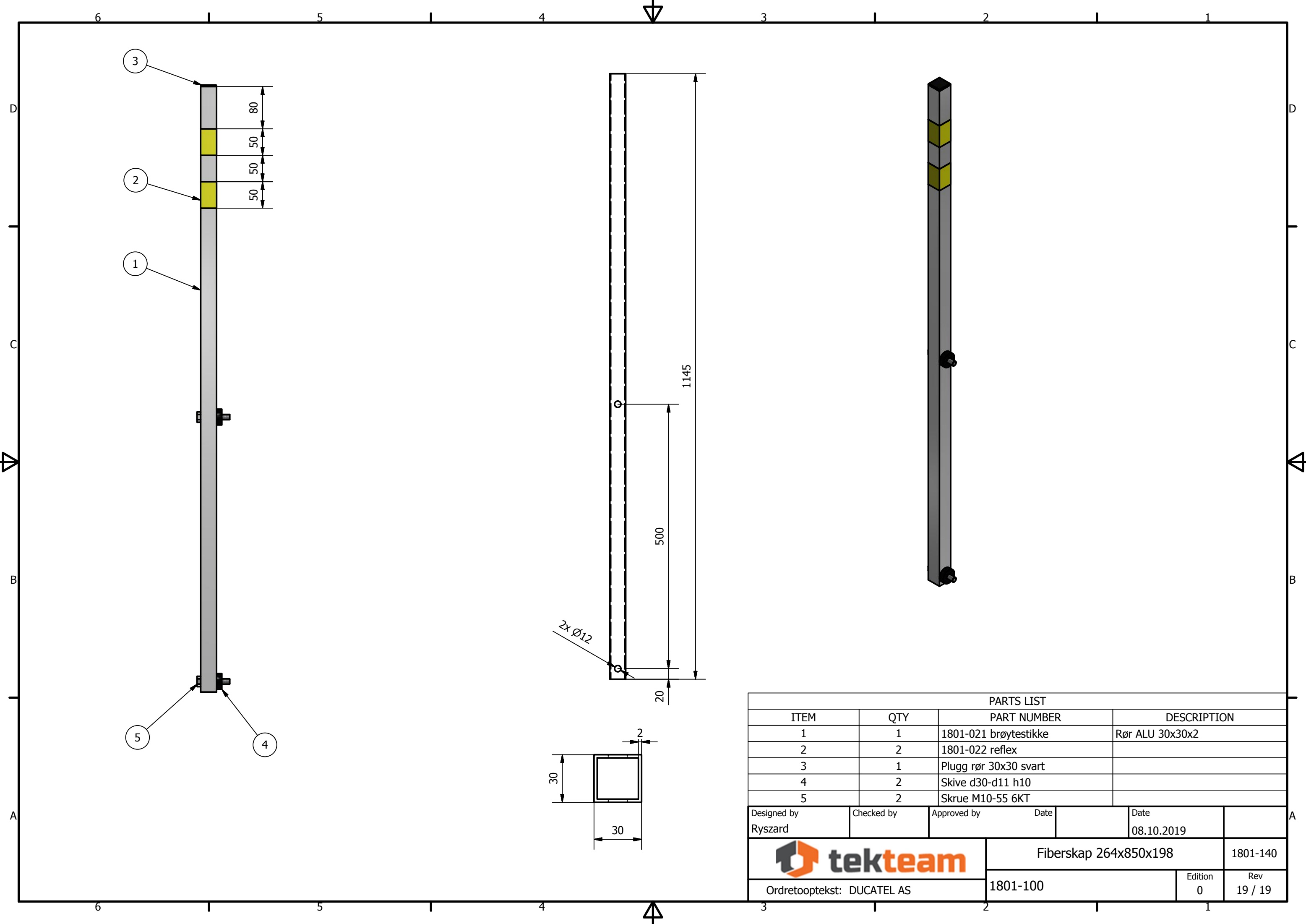
Verktøy til EM 2510 NT
TAP - EMBOSS-7-5
DYNE- Ø16




PARTS LIST			
ITEM	QTY	PART NUMBER	DESCRIPTION
1	4	1801-015 brakett til sokkel	3mm Galv
Designed by Ryszard	Checked by	Approved by	Date 08.10.2019
		Fiberskap 264x850x198	
		15	
Ordretooptekst: DUCATEL AS		1801-100	Edition 0 Rev 17 / 19



PARTS LIST				
ITEM	QTY	PART NUMBER	DESCRIPTION	
1	1	1801-009 monteringsplate	12mm finerplate	
Designed by Ryszard	Checked by	Approved by	Date	Date
				08.10.2019
		Fiberskap 264x850x198		09
		1801-100	Edition 0	Rev 18 / 19
Ordretooptekst: DUCATEL AS				



PARTS LIST			
ITEM	QTY	PART NUMBER	DESCRIPTION
1	1	1801-021 brøytetikke	Rør ALU 30x30x2
2	2	1801-022 reflex	
3	1	Plugg rør 30x30 svart	
4	2	Skive d30-d11 h10	
5	2	Skrue M10-55 6KT	
Designed by Ryszard		Checked by	Approved by
		Date	Date 08.10.2019
		Fiberskap 264x850x198	
		1801-100	1801-140
Ordretooptekst: DUCATEL AS		Edition 0	Rev 19 / 19