



QUICK M10 BEAM CLAMP WITH PUSH-TO-INSTALL TECHNOLOGY , 0.12"–0.39" FLANGE

CATALOG NUMBER

CRLBM10EG



CERTIFICATIONS



FEATURES

Prefabricated assemblies easily lift and lock into place, helping to save time and money

Easy "push-to-install" design allows installers to simply push the threaded rod through the mounting hole, instantly holding it in position

Lock nut can be finger tightened, locking the rod in place

Works with slightly damaged threads and minor burrs on the threaded rod

Conforms with Federal Specification WW-H-171 (Type 23), Manufacturers Standardization Society ANSI®/MSS-SP-58 (Type 19 and 23)

PRODUCT ATTRIBUTES

Article Number: 390002

Material: Cast Iron

Finish: Electrogalvanized

Rod Size: M10

Flange Thickness: 3 – 10 mm

Length: 52.300 mm

Width: 25.300 mm

Height: 30 mm

A: 24.90 mm

Static Load 1: 1,100 N

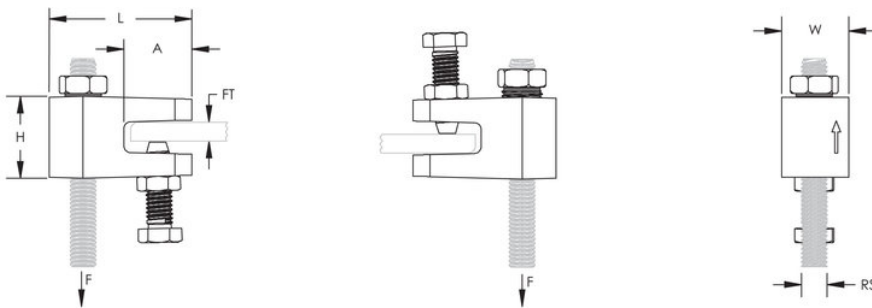
Static Load 2: 2,200 N

NB/DN: 100 Max

ADDITIONAL PRODUCT DETAILS

Static Load 1 represents 1/8" to 3/16" (3 mm to 5 mm) flange thickness. Static Load 2 represents 1/4" to 3/8" (6 mm to 10 mm) flange thickness.

DIAGRAMS



WARNING

nVent products shall be installed and used only as indicated in nVent's product instruction sheets and training materials. Instruction sheets are available at www.nvent.com and from your nVent customer service representative. Improper installation, misuse, misapplication or other failure to completely follow nVent's instructions and warnings may cause product malfunction, property damage, serious bodily injury and death and/or void your warranty.

Nord-Amerika

+1.800.753.9221

Option 1 – Customer Care

Option 2 – Technical Support

Europa

Netherlands:

+31 800-0200135

France:

+33 800 901 793

Europa

Germany:

800 1890272

Other Countries:

+31 13 5835404

APAC

Shanghai:

+ 86 21 2412 1618/19

Sydney:

+61 2 9751 8500



Our powerful portfolio of brands:
nVent.com CADDY ERICO HOFFMAN RAYCHEM SCHROFF TRACER

© 2022 nVent. All nVent marks and logos are owned or licensed by nVent Services GmbH or its affiliates. All other trademarks are the property of their respective owners.

nVent reserves the right to change specifications without notice.