

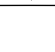
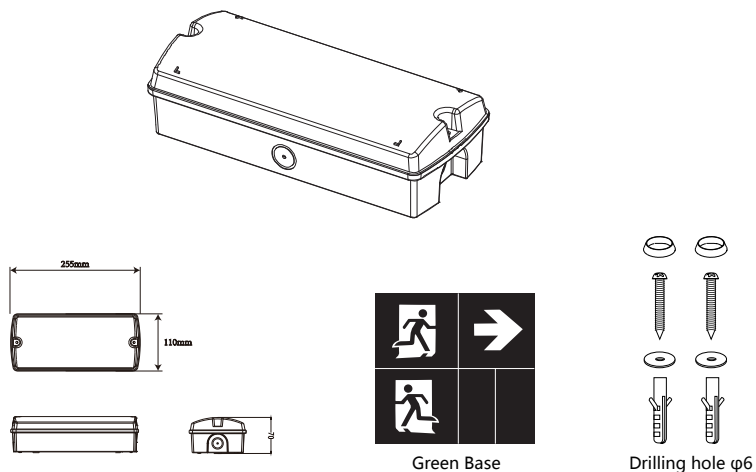


SAM 20M SELFTEST E3 LIFEPO4

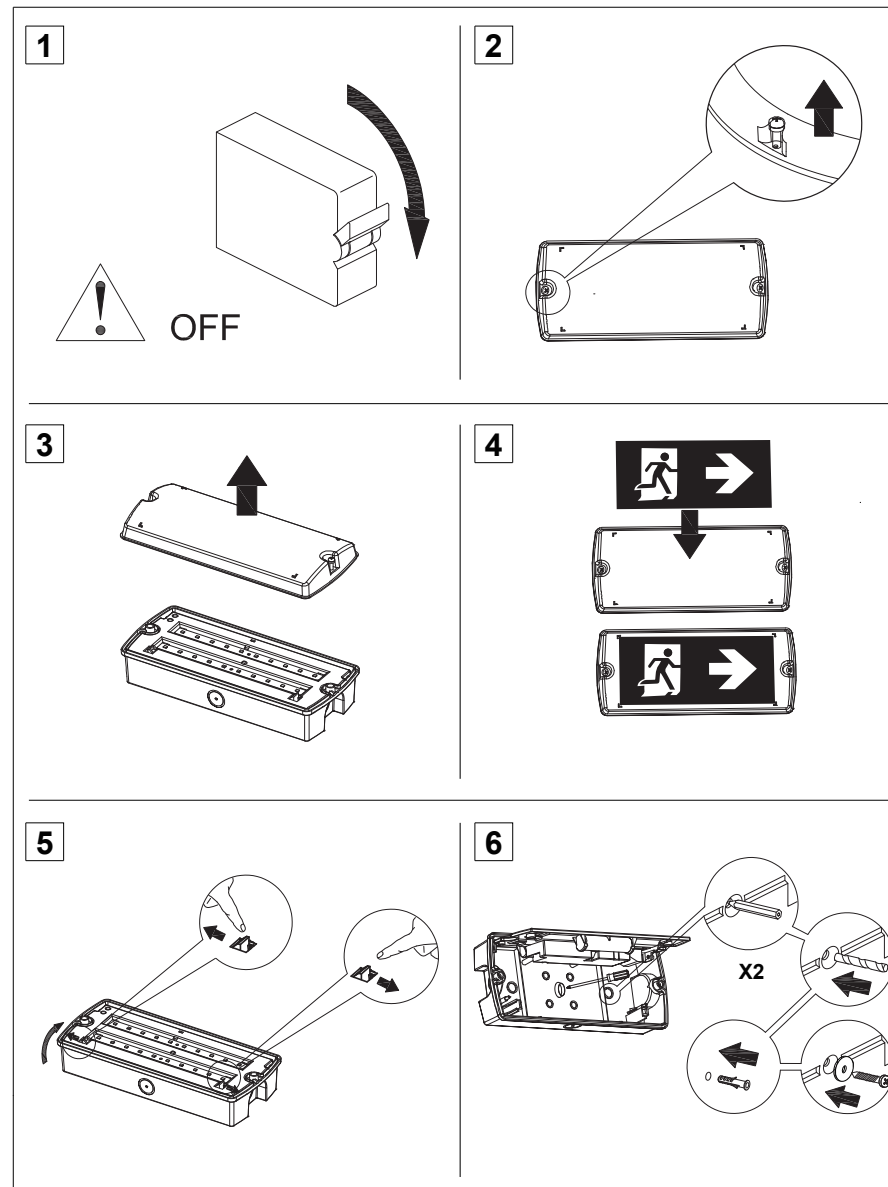
EN Installation Instructions	IT Istruzioni di montaggio
DE Montageanleitung	LT Montavimo Instrukcijos
CZ Montážní návod	LV Instalācijas instrukcija
DK Monteringsvejledning	NO Monteringsanvisning
EE Paigaldusjuhend	PL Instrukcja montażu
FI Asennusohje	SE Installationsanvisning
FR Notice de montage	RU Инструкция по монтажу
HU Szerelési útmutató	SRB Instrukcija za instalaciju
HR Uputstvo za montažu	SK Montážny návod
NL Montagehandleiding	SLO Navodilo za montažo
RO Instructiuni de montaj	CN 安装说明书

-  1. Installation and commissioning may only be carried out by authorized specialists and wired in accordance with the latest IEE electrical regulations or the national standards.
-  2. Mains power must be switched off before carrying out installation.
-  3. The manufacturer shall not be liable for any damage resulting from inappropriate modifications to the luminaire or faulty installation.
- 4. The light source contained in this luminaire shall only be replaced by the manufacturer or his service agent or a similar qualified person.
- 5. The control gear provides basic insulation between the LV supply and the control circuit

SAP Code	Product Description	Lumen	Input	Operation Temperature
96635656	SAM 20M SELFTEST E3 LIFEPO4	250lm (Maintained)	AC 220-240V	0-+40°C
96635657	SAM REPLACEMENT BATTERY LIFEPO4	N/A	50-60Hz	



SAM 20M SELFTEST E3 LIFEPO4



SAM 20M SELFTEST E3 LIFEPO4

7

0.5-2.5mm²
5-7mm

Non-maintained

Maintained

8

COMMISSIONING DATE:

CONNECT BATTERY
(Ensure that emergency supply is continuous.)
Check if LED indicator is working properly.
Installer to add date of installation onto battery.

LiFePO4 3.2V 1.5Ah

9

10

ON

SAM 20M SELFTEST E3 LIFEPO4

Self-test

The emergency kits carry out self-tests automatically to ensure its functionality.
The self-test includes 3 types of tests:

Initial test

- As soon as mains supply is connected, the emergency kit will carry out a 3-seconds functional test automatically.
- In case of a failure, the LED will turn permanent red. Otherwise, the charge mode will start.

Functional test

- Refers to charging, discharging and the functioning of load.
- Carry out for 10 seconds automatically every 30 calendar days.

Duration test

- Refers to the test of batteries capacity.
- Carry out every 180 calendar days.

Rest mode

Rest mode can be initiated during emergency mode by pressing test switch longer than 3 seconds.
The rest mode will be exited automatically after reconnect AC mains.

Timer reset

Press test switch > 15 seconds in charging mode, will reset timer for functional and duration test.
Meanwhile indicator red flash once, then indicator green slowly flash 3 times, this means timer resetting is successful.

Please note

If mains supply is off during self-test period, emergency conversion module would terminate self-test immediately and go into emergency mode.

Self-test is under the regulation of EN62034.

Explanation of LED indicator

	Color	LED indication	Status	Comment
●	Green	Permanent green	Charging Mode	AC mode
●	Green	Permanent green	Fully Charged	AC mode
☀	Green	Fast flashing green (0.1 sec on, 0.1 sec off)	Function test underway	
☀	Green	Slow flashing green (1 sec on, 1 sec off)	Duration test underway	
●	Red	Permanent red	Load failure	Open circuit / Short circuit / LED failure
☀	Red	Slow flashing red (1 sec on, 1 sec off)	Battery failure	Battery failed the duration test or function test / No battery
○		Green and red off	DC mode	Battery operation (emergency mode)