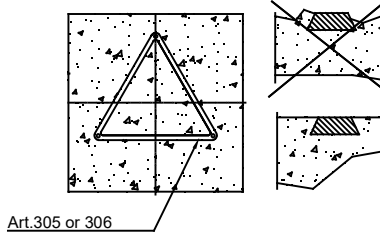
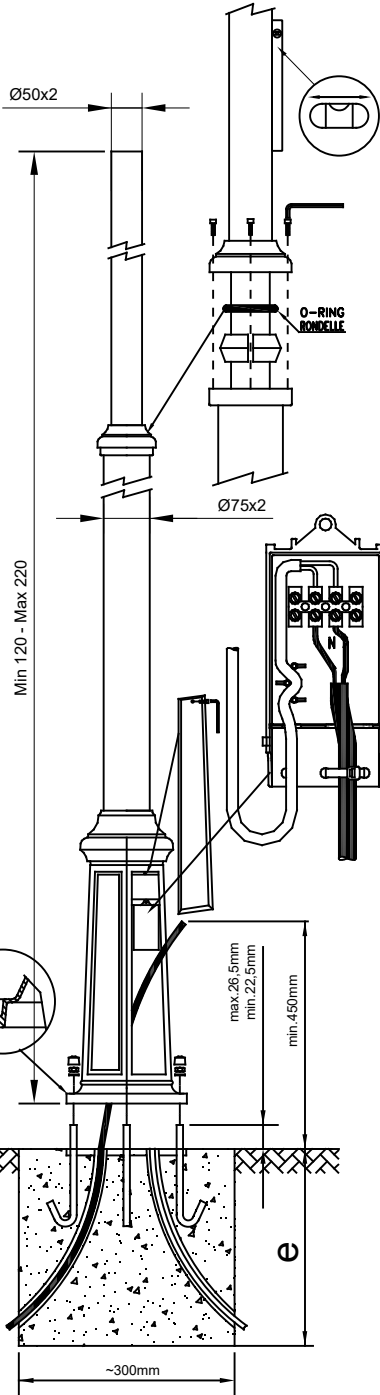
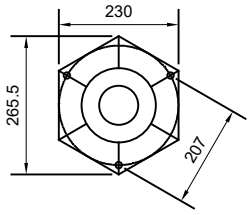
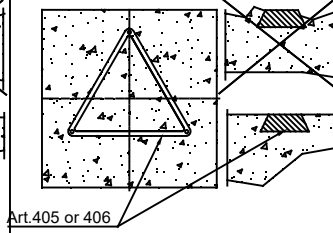
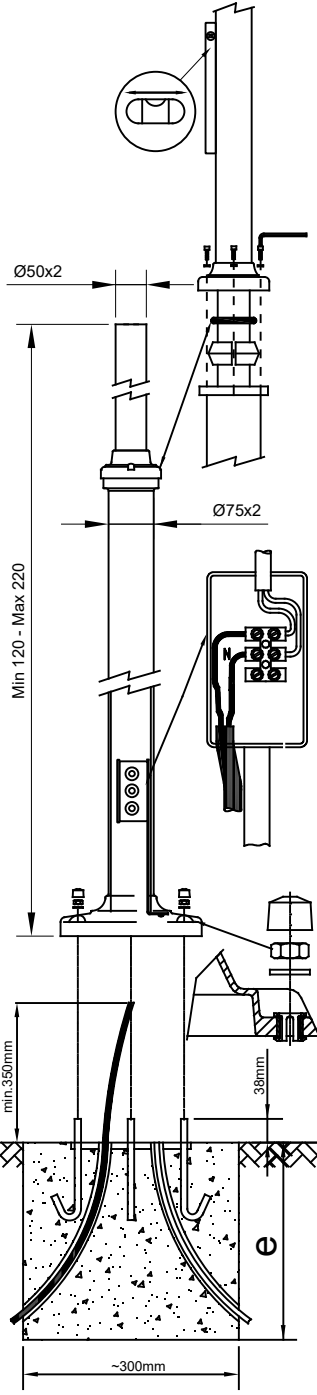
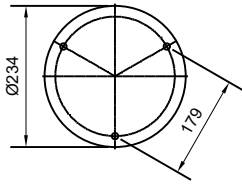


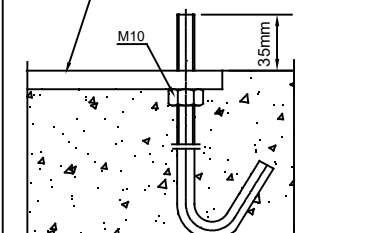
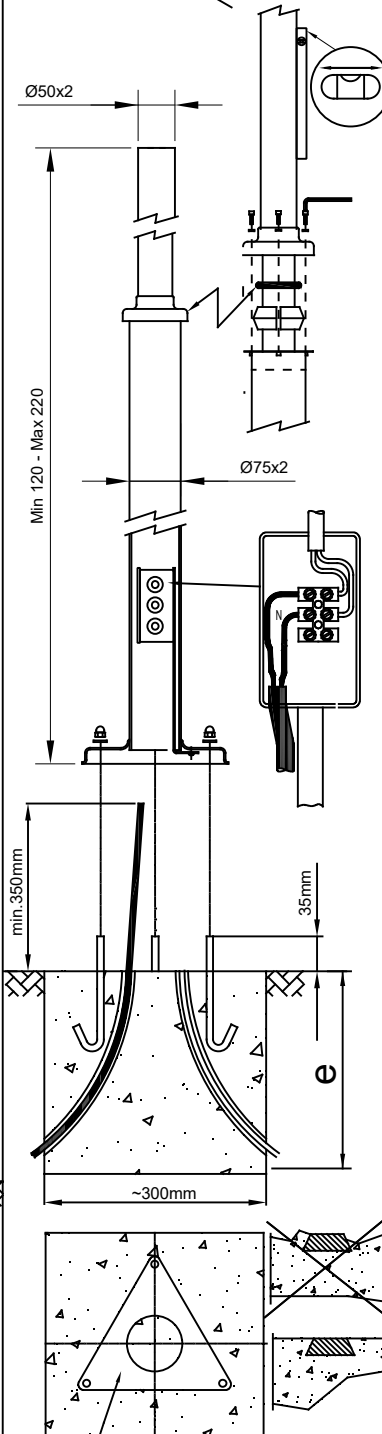
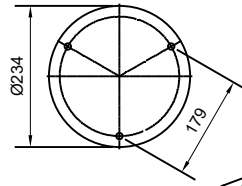
Art.3010



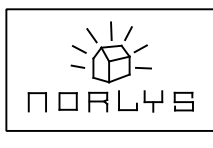
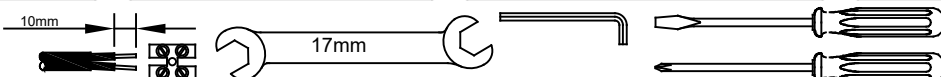
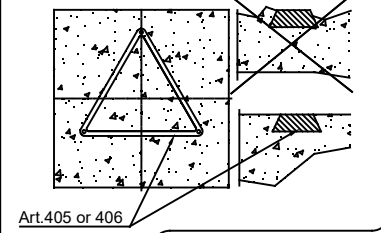
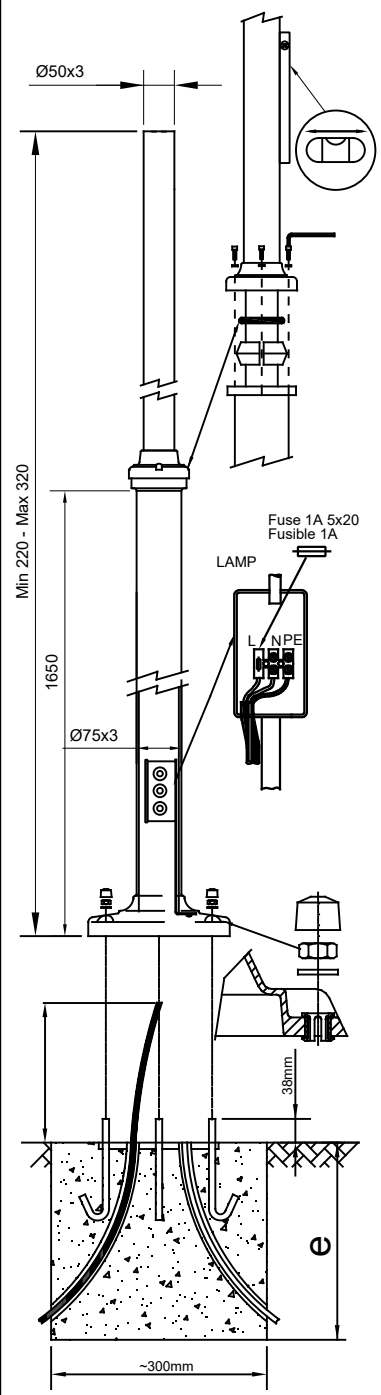
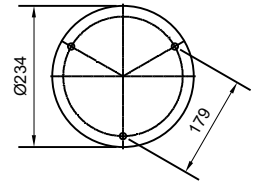
Art.3011



Art.3009



Art.: 1270



Instalation:

Pole must be set up into a concrete foundation.

The size of the concrete foundation must be calculated according to standard EN 40-1 for pole and luminaire together and depends on the ground, wind and weather condition in the place of assembly

Nominal Height / Wysokość Nominalna	Minimal depth of foundation / Minimalna głębokość posadowienia		
H [m]	e [mm]		
≤ 5	600	800	1000
6	800	1000	1200
7, 8	1000	1200	1500
9, 10	1200	1500	1700
12	1500	1700	2000
14	1500	2000	2500
15	1500	2000	2500
16	1500	2000	2500
18	1500	2000	2500
20	1800	2000	2500

CLASS II 

Art.30101

