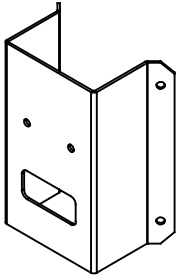
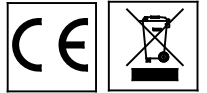
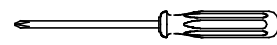
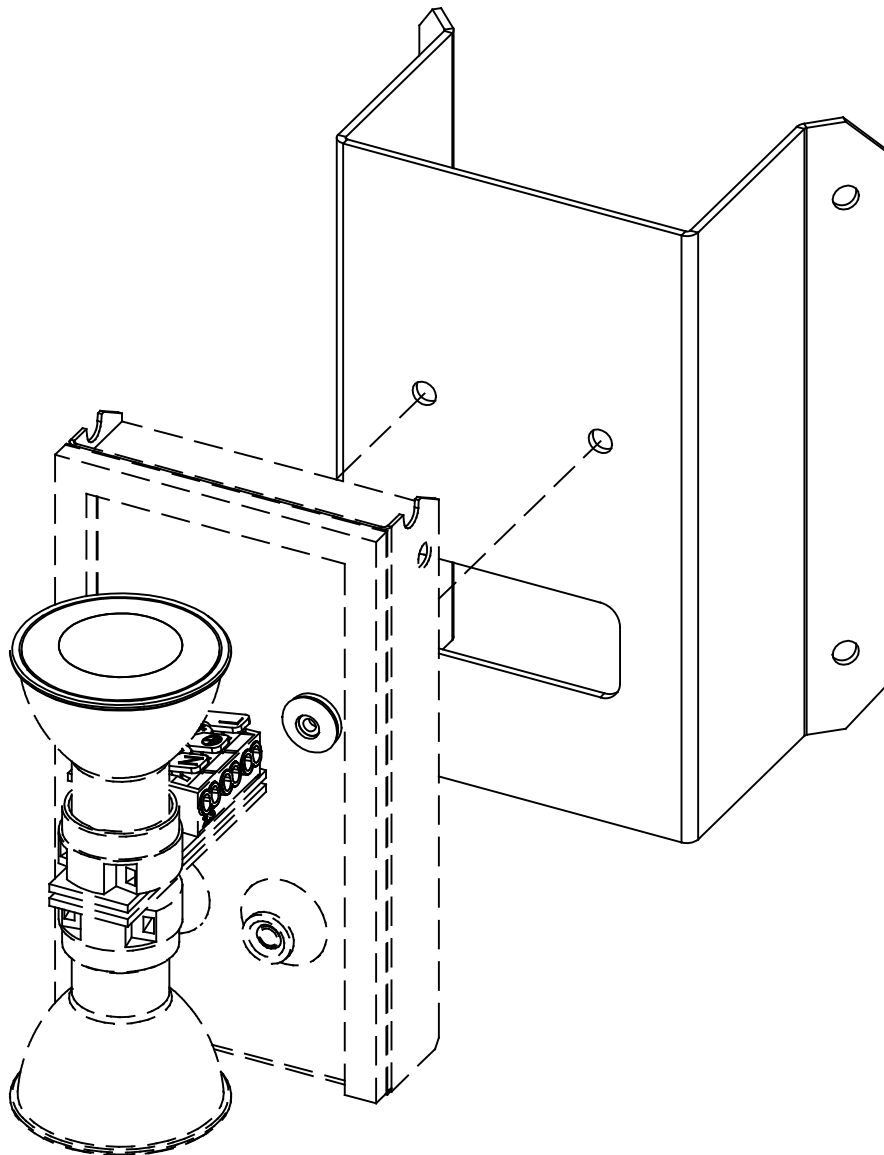
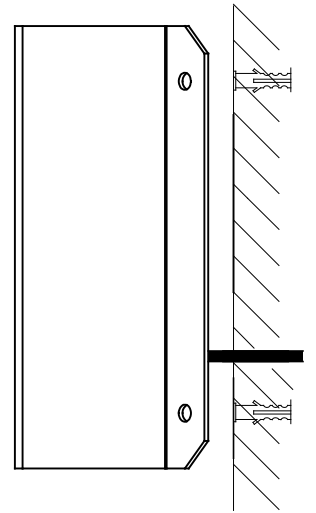


# CORNER BRACKET MANDAL



art.149



PH1 ⊕ PH2 ⊕

