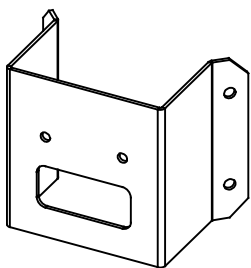
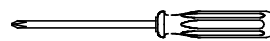
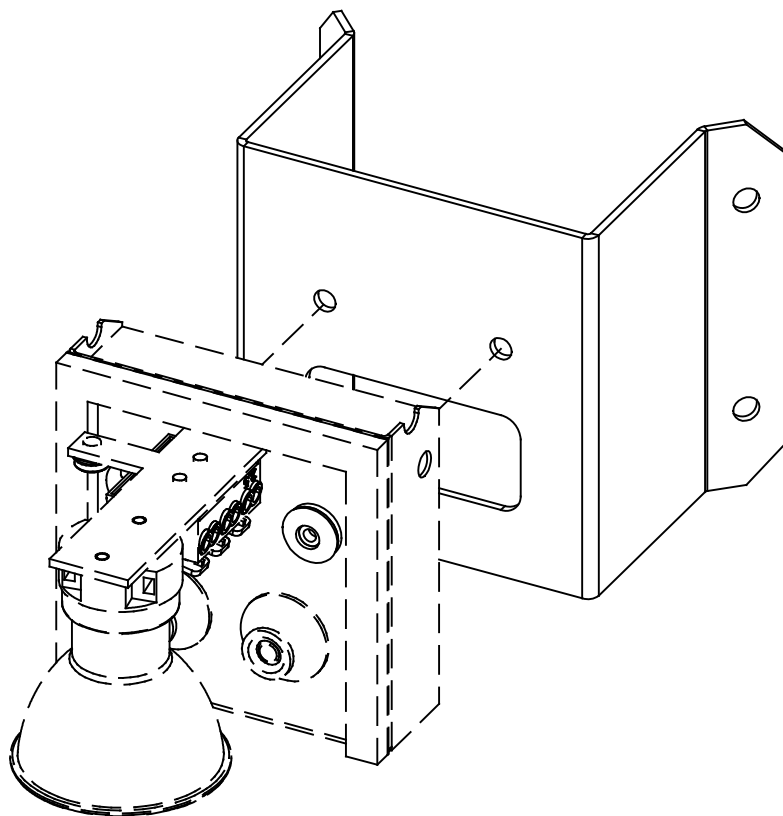
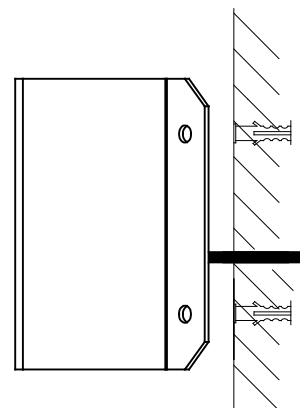
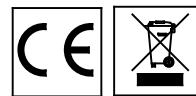


CORNER BRACKET MANDAL



art.130



PH1 ⊕ PH2 ⊕



NORLYS

Rev: 14.09.2020