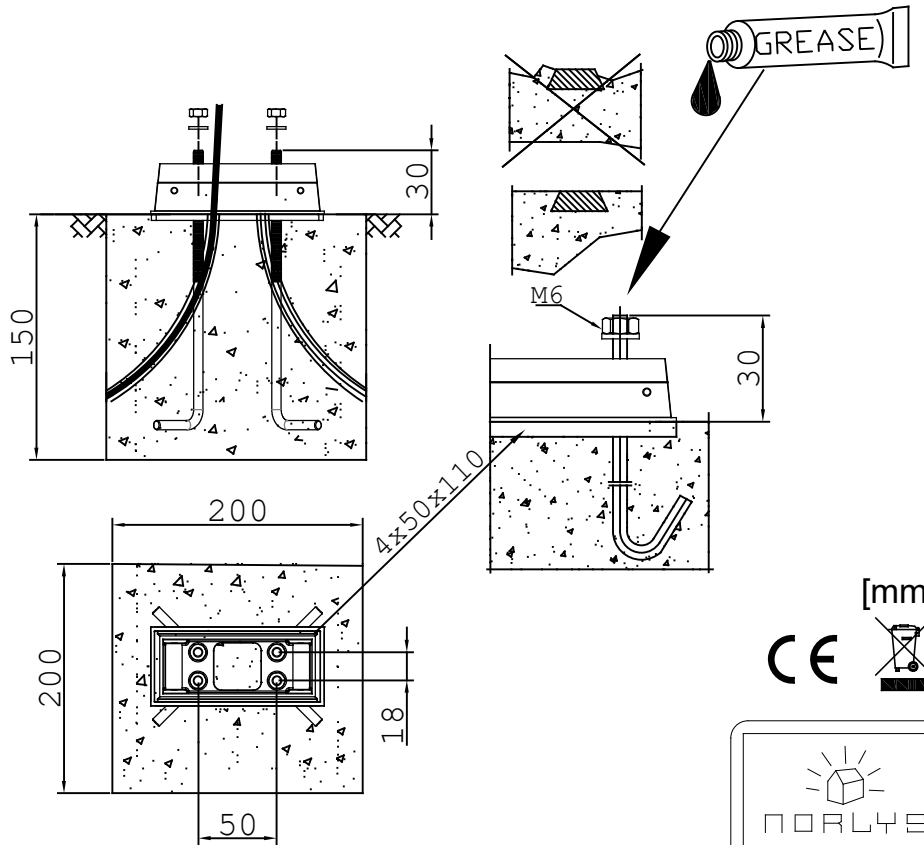
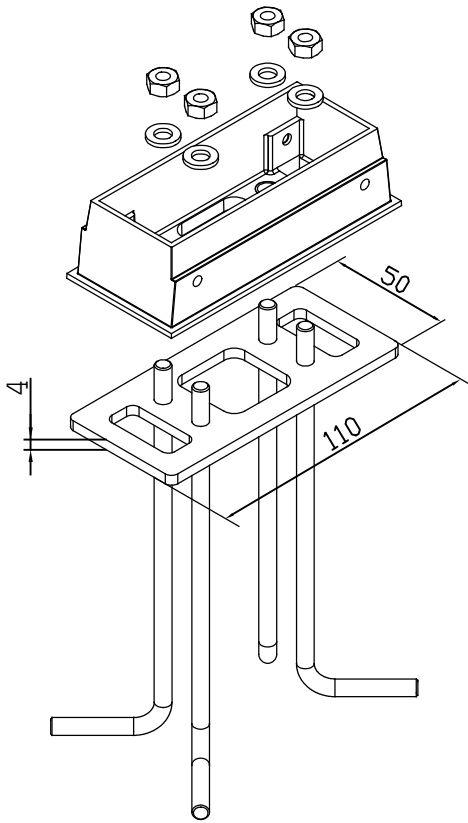


# art.1907

for art.:  
1900, 1901, 1902 - MOLDE  
1311, 1312 - ASKER BOLLARD



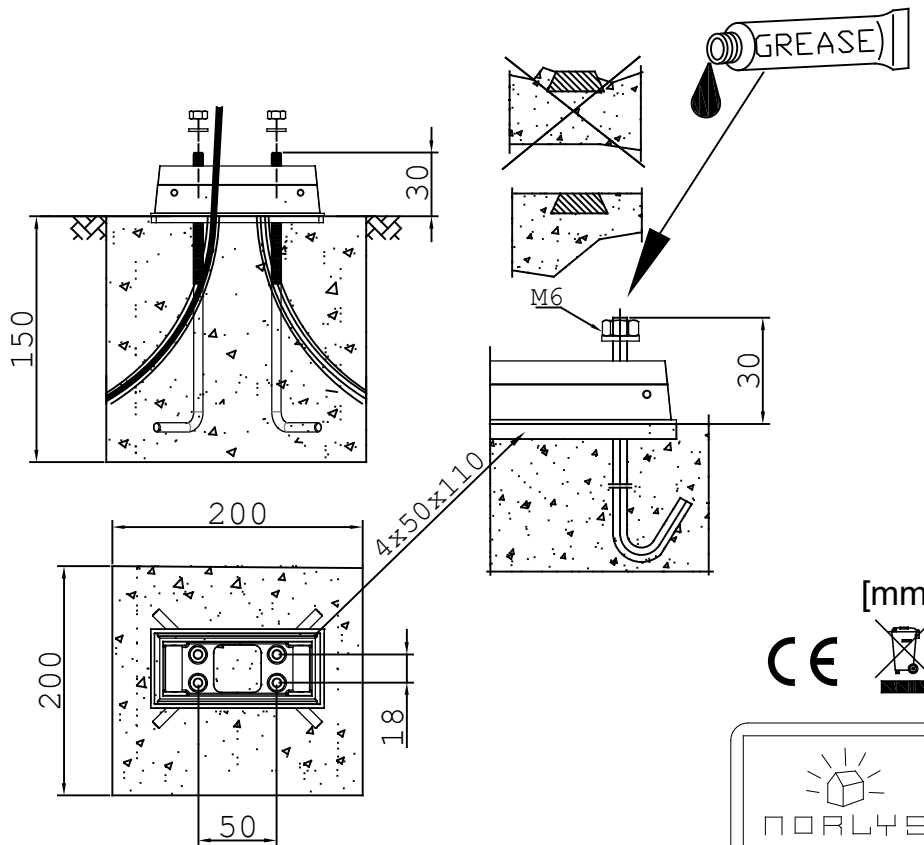
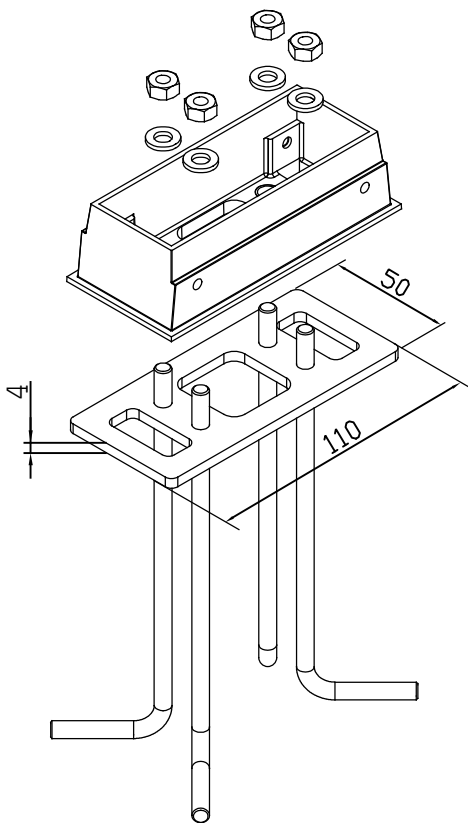
[mm]



I/2016

# art.1907

for art.:  
1900, 1901, 1902 - MOLDE  
1311, 1312 - ASKER BOLLARD



[mm]



XI/2021