

Product Data sheet

Part no.	Name	Type
1372705	Square U-bolt for RHS beams S-M UB-SQ-M10-SHS-100 SS	S-M UB-SQ-M10-SHS-100

Description: Square U bolt with flange nuts.

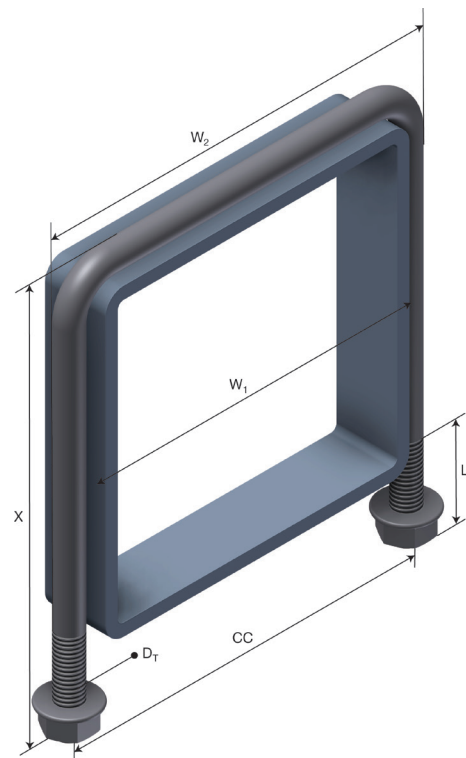
1372705 consists of

Part no.	Name
89270	U-BOLT SQUARE M10 RHS 100 SS
1371973	FLANGE NUTS S-M NU-FL-M10 A4

Additional information: Type states dimension.

Characteristics

Name	Value
Weight (kg)	0.0
CC (mm)	113
Dt Diameter threads (mm)	10
Lt Length Threads (mm)	30
W1 Width 1 (mm)	103
W2 Width 2 (mm)	122
X (mm)	146.9



Product packaging information

F-PAK GTIN	Single piece	
------------	--------------	--