

Product Data sheet

Part no.	Name	Type
1372765	Locking Bolts S-M LS-M10x25 HDG	S-M LS-M10x25

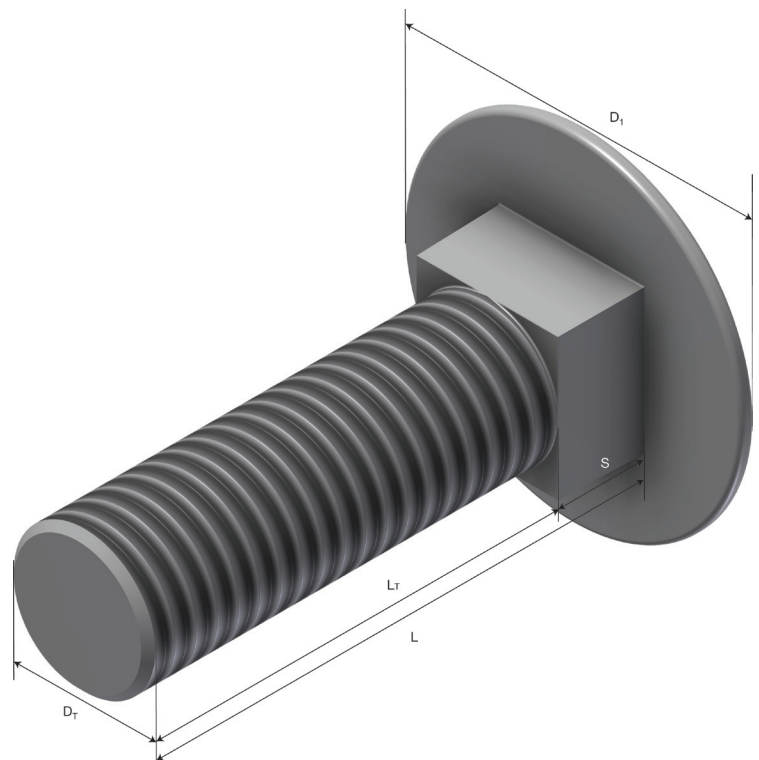
Description: Self-Lock Bolt with Low Neck. All metal design.



Additional information: STD: 200

Characteristics

Name	Value
Weight (kg)	0.0
S Spacing (mm)	2.8
D1 Diameter (mm)	24
Dt Diameter threads (mm)	10
Lt Length Threads (mm)	22.2
L Length (mm)	25



Product packaging information

F-PAK GTIN	Single piece	
------------	--------------	--