

Product Data sheet

Part no.	Name	Type
1371437	Locking Bolt set S-M LS-NU-M10x25 A4	S-M LS-NU-M10x25

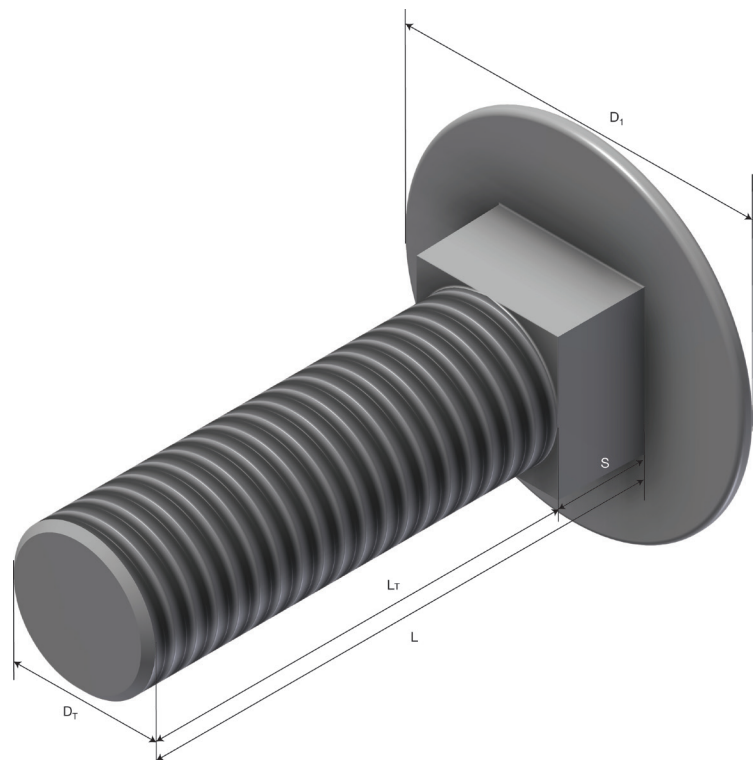
Description: Anti-vibration Self-Lock Bolt and Flange Nut set with Low Neck. All metal design.



Additional information: With pan head and flange nuts. Self-Lock only in SS. STD: 50

Characteristics

Name	Value
Weight (kg)	0.04
S Spacing (mm)	2.8
D1 Diameter (mm)	24
Dt Diameter threads (mm)	10
Lt Length Threads (mm)	22.2
L Length (mm)	25



Product packaging information

F-PAK GTIN	Single piece	
------------	--------------	--