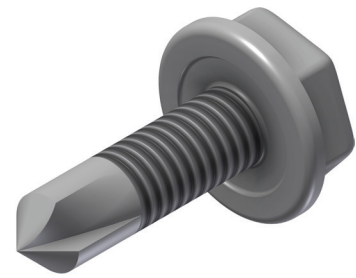


Product Data sheet

Part no.	Name	Type
1371373	Self-Tapping Stainless Steel Screws S-M SF-HE-M4.8x13 A2	S-M SF-HE-M4.8x13

Description: Self-Tapping Stainless Steel Screws for Metal construction, Solar, Facade, DIN7504-K



Additional information: Minimal assembly times

Assembly times are reduced compared with standard tapping screws.

Wobble-free driving feature

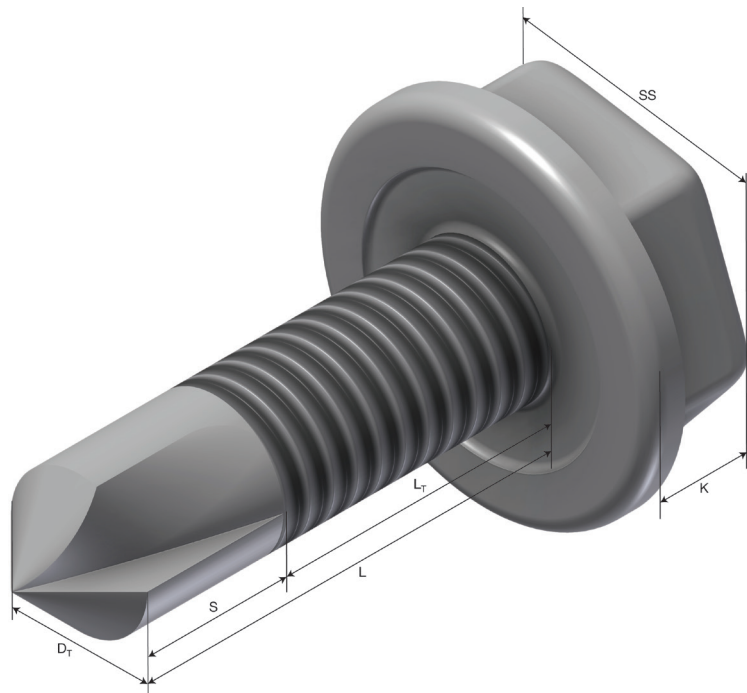
The TX inner multi-tooth drive allows the screw to be easily and securely screwed in when the screw is attached and countersunk.

Attention: only for soft metals

For up to 2.5mm thickness. STD: 100

Characteristics

Name	Value
Weight (kg)	0.002
Dt Diameter threads (mm)	M4,8
Lt Length Threads (mm)	13
Spanner Size SS (mm)	8
K Bolt Head Height (mm)	4,45
L Length (mm)	13



Product packaging information

F-PAK GTIN	Single piece	
------------	--------------	--