

# Product Data sheet

Part no.	Name	Type
1306888	Locking Bolts S-M LS-M6x16 A4	S-M LS-M6x16

Description: Self-Lock Bolt with Low Neck. All metal design.

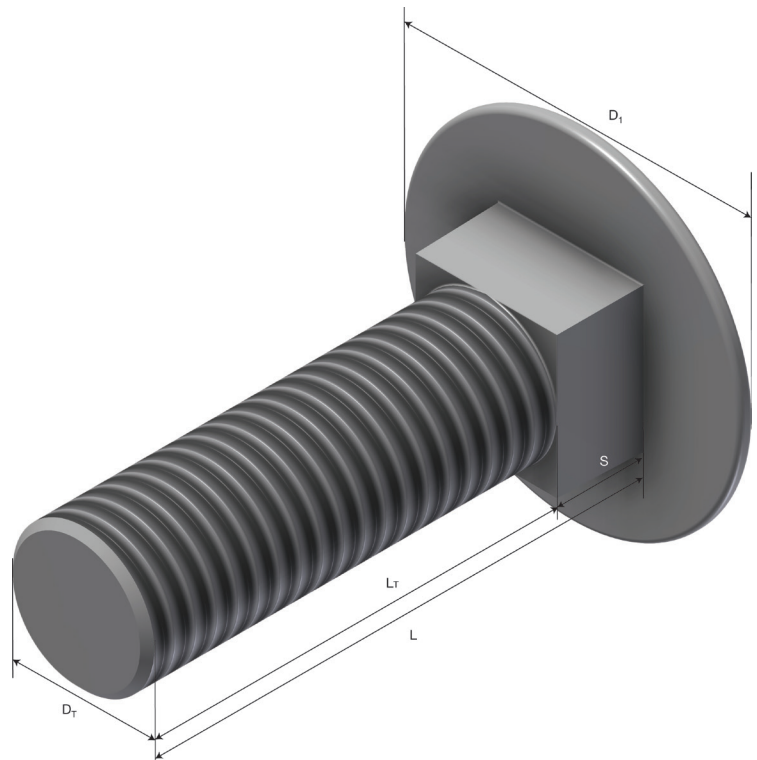
1306888 consists of

Part no.	Name
84493	LOCKING BOLTS S-M M6x16 SS

Additional information: STD: 200

## Characteristics

Name	Value
Weight (kg)	0.007
S Spacing (mm)	1.5
D1 Diameter (mm)	15.6
Dt Diameter threads (mm)	6
Lt Length Threads (mm)	14.5
L Length (mm)	16



## Product packaging information

F-PAK GTIN	Single piece	
------------	--------------	--