

# Product Data sheet

Part no.	Name	Type
1306892	Locking Bolts S-M LS-M10x35 A4	S-M LS-M10x35

Description: Self-Lock Bolt with High Neck. All metal design.

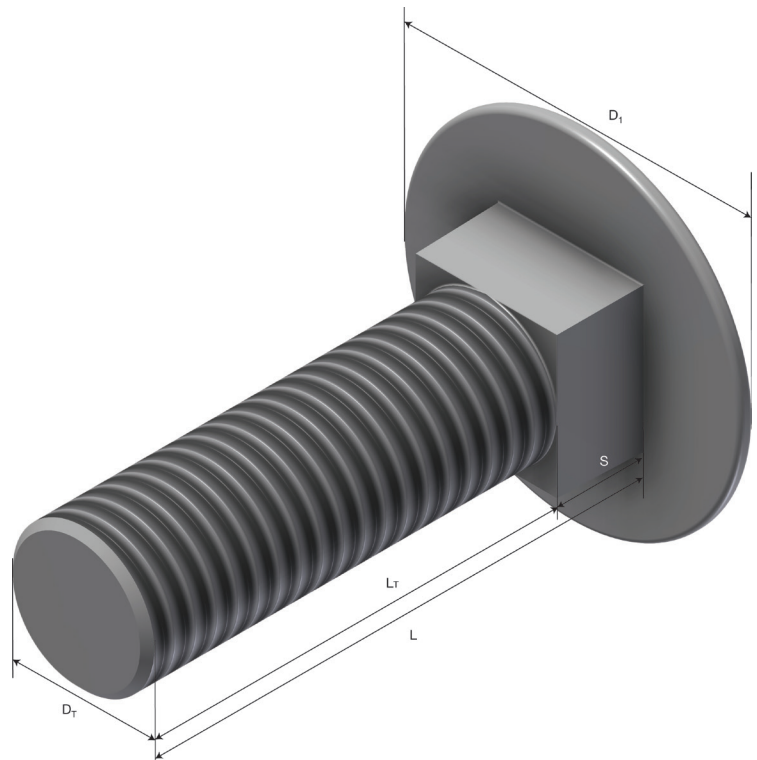
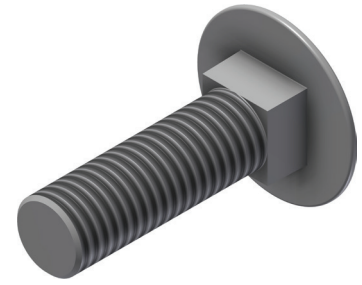
1306892 consists of

Part no.	Name
82709	LOCKING BOLTS S-M M10x35 A4

Additional information: STD: 100

## Characteristics

Name	Value
Weight (kg)	0.01
S Spacing (mm)	6
D1 Diameter (mm)	24
Dt Diameter threads (mm)	10
Lt Length Threads (mm)	29
L Length (mm)	35



## Product packaging information

F-PAK GTIN	Single piece	
------------	--------------	--