

Ex-plugs and receptacles 20 A 7-pole up to 500 V

1



Wall socket



Plug

Technical data

Ex-plugs and receptacles, 7-pole

Marking accd. to 2014/34/EU	⊕ II 2 G Ex ed IIC T6/T5
EC-Type Examination Certificate	PTB 00 ATEX 1109
Permissible ambient temperature	-20 °C to + 40 °C
Rated voltage	500 V
Rated current	16 A (T6) / 20 A (T5)
Frequency	up to 400 Hz
Rated making / Rated breaking capacity AC-3	U_e 500 V / I_e 10 A
accd. EN 60947-4	U_e 250 V / I_e 16 A
External back up fuse	without therm. protection: 16 A with therm. protection: 25 A gG (rated current 16/20 A set to)
Protection class	I
Degree of protection accd. to EN 60529	IP66
Enclosure colour	black

Wall socket

Cable entry/enclosure drilling	1 x M40, 1 plastic Ex-screw plug 2 x M32 metal thread with 2 plastic Ex-screw plug
Connecting terminals	2 x 1.5 - 4 mm ²
Enclosure material	glass-fibre reinforced polyester

Plug

Cable gland	Ø 9 - 17 mm
Connecting terminals	1 x 1.0 - 2.5 mm ² crimp or solder connection ¹⁾
Enclosure material	Polyamide

¹⁾ Please use appropriate crimp tool

Details for used cable glands see pages 2.3.ff



Plug



Wall socket

Ordering details

Type	h	Cable gland	Weight	Order No.
Type 20 A 7-pole				
Wall socket 7-pole	6 h	KU	2.2 kg	GHG 511 4706 R0001
Wall socket 7-pole	6 h	ME	2.3 kg	GHG 511 4706 R3001
Plug 7-pole	6 h		0.3 kg	GHG 592 2001 R0002
Wall socket 6-pole + PE	7 h	KU	2.2 kg	GHG 511 4707 R0003
Wall socket 6-pole + PE	7 h	ME	2.3 kg	GHG 511 4707 R3003
Plug 6-pole + PE	7 h		0.3 kg	GHG 592 2001 R0022

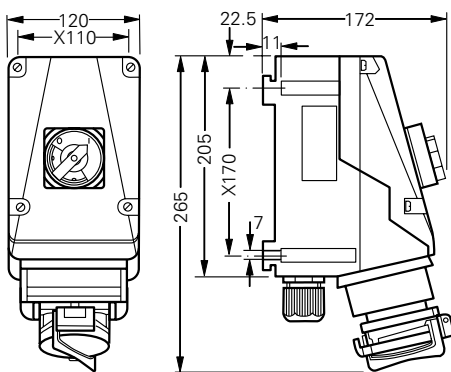
Type	Application	Fixing method	Order No.
------	-------------	---------------	-----------

Accessories

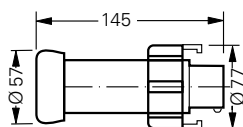
Plug cap 7-pole			GHG 540 1935 R0002
Mounting plate size 5	for wall mounting	snap on	GHG 610 1953 R0128
Mounting plate size 5	for trellis mounting	snap on	GHG 610 1953 R0128
Mounting plate size 5	pipe clamp	snap on	GHG 610 1953 R0132
Socket bushes 1 set = 7 pcs.			GHG 590 1301 R0102
Plug pins 1 set = 7 pcs.			GHG 590 1302 R0102
Ex-crimping tool for sockets and pins			GHG 590 1902 R0001
Dismanteling tool for sockets and pins			GHG 590 1903 R0001

Other voltage ranges and versions available on request
 KU = 1 x plastic cable glands M40, 1 x M40 with plastic Ex-screw plug
 ME = 2 x metal thread M32 with plastic Ex-screw plug

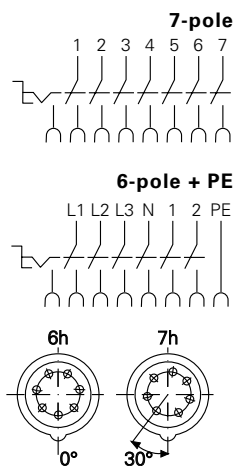
Dimension drawing | Wiring diagram



Wall socket 7-pole



Plug 7-pole



X = fixing dimensions