

Product Data sheet

Part number	Name	Type
1302039	Cable Ladder mainly for application in tunnels.	TOE75 CL-200-3000 SS

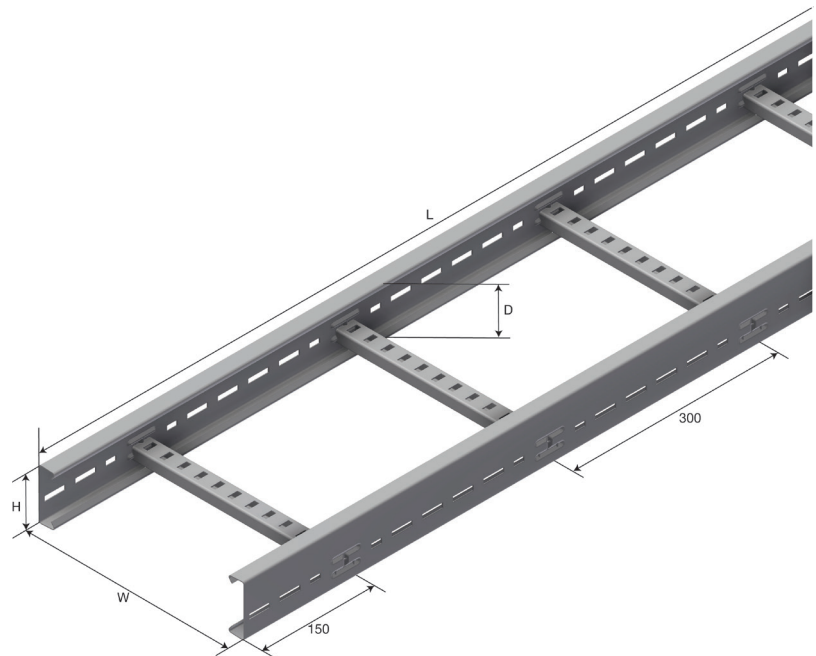


Description: Cable Ladder mainly for application in tunnels.
Screws/fasteners are not included

Additional information: Material thickness: Sidepiece 1,25mm and rung 1,5mm

Characteristics

Name	Value
Width (w)	200
Weight (kg)	9.400
Length L (mm)	3000
Rung Spacing (mm)	300
Loading depth D (mm)	46
Height H (mm)	75
Material Thickness T (mm)	1,25



Product packaging information

F-PAK GTIN	Single piece	 7070693020398
------------	--------------	--