



LUMISTREET GEN2 MICRO

BGP291 LED-HB/730 II DM32 CLO 3898 lm

Introduction

Increasing numbers of municipalities are having to upgrade large-scale conventional street lighting installations with energy efficient LED technology. But they are having to do this with smaller and smaller budgets. That's why the new generation of LumiStreet has been upgraded and designed to provide a solution to this challenge, it is the ideal solution for performing point-to-point replacement of conventional lighting. LumiStreet gen2 achieves this by offering high efficiency, low Total Cost of Ownership, and ease of installation and maintenance. The ease of installation and maintenance is enabled by the Philips Service tag. Moreover, the Philips SR (System Ready) socket makes it future-ready and you can pair this luminaire with lighting control and software applications such as Interact City.

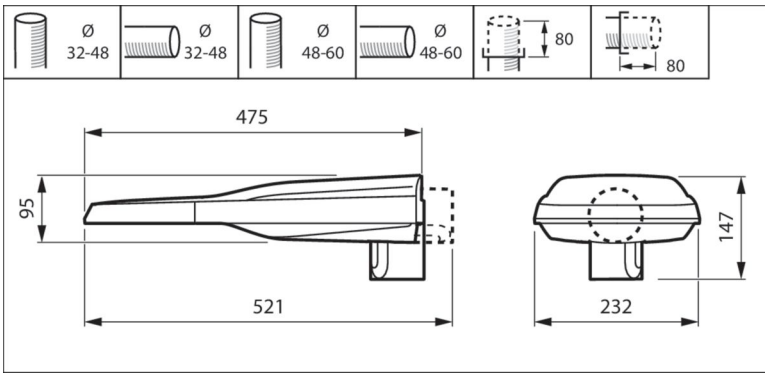
Product Information

Product Family Code	BGP291
Mechanical and Housing	
Housing Material	Aluminum die cast
Fixation material	Aluminum
Ingress protection code	IP66
Mech. impact protection code	IK08
Corrosion resistance	500 hours Salt Spray Test for standard version, 1.000 hours. Salt Spray Test optional Marine Salt Protection (MSP)
Certification	
CE mark	CE mark
ENEC mark	ENEC plus mark
RoHS mark	-
WEEE mark	-
Protection class IEC	II
Service	
Warranty period	5 years
Serviceability	Class A, luminaire is equipped with serviceable parts (when applicable): LED board, driver, control units, surge protection device, optics, front cover and mechanical parts
Light source replaceable	Yes
Operating ambient temperature range Tamb	-40 to +50 °C
Performance ambient temperature (Tq)	25 °C
L-Value	1
Lifetime	100000 h
Surge protection	6KV in Common or Differential mode as standard, 10KV with optional Surge Protector Device (SPD)

IPEA - Energy classification

Road		Large area		Historical centers		Green areas		Cycle & pedestrian	
IPEA	Class	IPEA	Class	IPEA	Class	IPEA	Class	IPEA	Class
1.87	A7+	1.95	A8+	2.28	A11+	1.82	A7+	1.82	A7+

Dimensional drawing(s) - mm



Light technical Report

Drivers

Description	Xi FP 40W 0.2-0.7A SNLDAE 230V S175 sXt
12NC	929002128306
Number of driver(s)	1
Number of luminaire per MCB 16A	26
Inrush current	21 A
Inrush time	225 μ s
Input Voltage	220V-240V
Input Frequency	50/60 Hz
Start Current	396 mA
End Current	406 mA
System power (minimum)	26 W
System power (maximum)	26.5 W
System power (average)	26 W
Power consumption tolerance	+/-11%
Power Factor (100%)	0.97
Power Factor (50%)	0.92
Connectivity	No connectivity
Dimming	No dimming

Light engine

Light source engine type	LED
Number of LED	20
Initial LED luminaire efficacy (source)	150 lm/W
Initial LED luminaire efficacy (system)	137 lm/W
Light source colour	730 (Warm White)
Init. colour Rendering Index	70
Init. CRI tolerance	+/-2
Init. Corr. colour Temperature	3000 K
Initial tolerance	+/- 120 K (5 SDCM)
End of life tolerance	+/- 165 K
Initial luminous flux (source)	3898 lm
Luminous flux tolerance	+/-7%
Initial luminous flux (system)	3557 lm
Photobiological risk	Risk group 0 (exempt) according to EN IEC 62471

Optics

Optical configuration	DM32
LOR	0.91
ULR at tilt=0°	0.00%
G* at tilt=0°	G*4
Imax (at 90° and above)	0 cd/klm
CIE code	37 77 99 100 91

