

**STRIPAX PLUS 2.5****Weidmüller Interface GmbH & Co. KG**

Klingenbergstraße 26

D-32758 Detmold

Germany

www.weidmueller.com

**Cutting, stripping and crimping tools for connected wire-end ferrules strips**

- Cutting
- Stripping
- Crimping
- Automatic feeding of wire end ferrules
- Ratchet guarantees precise crimping
- Release option in the event of incorrect operation
- Efficient: only one tool needed for cable work, and thus significant time saved

**General ordering data**

Version	Cutting, stripping and crimping tool, Crimping tool for wire-end ferrules, 0.5mm <sup>2</sup> , 2.5mm <sup>2</sup> , Trapezoidal crimp
Order No.	<a href="#">9020000000</a>
Type	STRIPAX PLUS 2.5
GTIN (EAN)	4008190067267
Qty.	1 pc(s).

Creation date July 23, 2021 3:16:37 PM CEST

Catalogue status 23.07.2021 / We reserve the right to make technical changes.

**STRIPAX PLUS 2.5**

**Weidmüller Interface GmbH & Co. KG**  
 Klingenbergstraße 26  
 D-32758 Detmold  
 Germany

www.weidmueller.com

**Technical data****Dimensions and weights**

Width	210 mm	Width (inches)	8.268 °C
Weight	260 g	Net weight	250.91 g

**Environmental Product Compliance**

REACH SVHC	Lead 7439-92-1
------------	----------------

**Technical data**

Description of article	(1)Crimping tool	Version	Mechanical, without interchangeable inserts
------------------------	------------------	---------	---

**Description of contact**

Conductor cross-section, max. AWG	AWG 14	Conductor cross-section, min. AWG	AWG 20
Crimping range, max.	2.5 Nm	Crimping range, min.	0.5 Nm
Type of contact	Strips of linked wire-end ferrules		

**tool data crimping**

Crimping profile 1, max.	0.75 Nm	Crimping profile 1, min.	0.5 Nm
Crimping profile 2, max.	1.5 Nm	Crimping profile 2, min.	1 Nm
Crimping profile 3, min.	2.5 Nm	Crimping type/profile	Trapezoidal crimp
Wire end ferrules cross-section, max.	2.5 Nm	Wire end ferrules cross-section, min.	0.5 Nm

**Classifications**

ETIM 6.0	EC002109	ETIM 7.0	EC002109
ETIM 8.0	EC002109	ECLASS 9.0	21-04-37-06
ECLASS 9.1	21-04-37-06	ECLASS 10.0	21-04-37-06
ECLASS 11.0	21-04-37-06		

**Approvals**

Approvals

**Downloads**

Engineering Data	<a href="#">STEP</a>
Engineering Data	<a href="#">WSCAD</a>
User Documentation	<a href="#">Manual</a>
Catalogues	<a href="#">Catalogues in PDF-format</a>
Brochures	

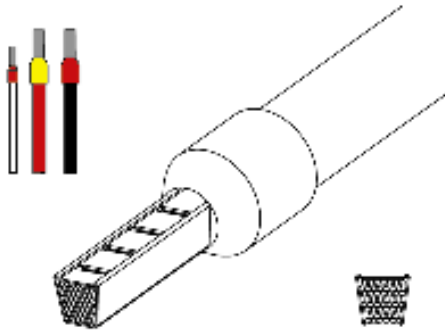
**STRIPAX PLUS 2.5**

**Weidmüller Interface GmbH & Co. KG**  
Klingenbergstraße 26  
D-32758 Detmold  
Germany

[www.weidmueller.com](http://www.weidmueller.com)

**Drawings**

**Example of use**



**Example of use**



**Example of use**

