

## RCIKITP 24VDC 1CO LD/PB

**Weidmüller Interface GmbH & Co. KG**  
 Klingenbergstraße 26  
 D-32758 Detmold  
 Germany

www.weidmueller.com

### Product image



- Mounted kit consisting relay, socket and retaining clip
- 100 % function tested
- 100 % check of the dielectric strenght between input - output
- 1 CO contacts
- Optional test button with mechanical status indicator
- Bright status LED (AC coil: red / DC coil: green)
- identification of coils (AC red / DC blue)

### General ordering data

Version	RIDERSERIES RCI, Relay module, Number of contacts: 1, CO contact AgNi, Rated control voltage: 24 V DC, Continuous current: 16 A <sup>(1)</sup> , PUSH IN, Test button available: Yes
Order No.	<a href="#">8897190000</a>
Type	RCIKITP 24VDC 1CO LD/PB
GTIN (EAN)	4032248646968
Qty.	10 pc(s).
Relevant relay	<a href="#">8870250000</a>
Relevant base	<a href="#">8869500000</a>

Creation date July 23, 2021 3:09:54 PM CEST

**RCIKITP 24VDC 1CO LD/PB**
**Weidmüller Interface GmbH & Co. KG**

Klingenbergstraße 26

D-32758 Detmold

Germany

www.weidmueller.com

**Technical data**
**Dimensions and weights**

Depth	69.6 mm	Depth (inches)	2.74 °C
Height	98 mm	Height (inches)	3.858 °C
Width	15.8 mm	Width (inches)	0.622 °C
Net weight	52.895 g		

**Temperatures**

Storage temperature	-40 °C...70 °C	Operating temperature	-40 °C...70 °C
Humidity	40 °C / 93 % rel. humidity, no condensation		

**Probability of failure**

B10	280.000 AC15: 250Vac/3A
-----	----------------------------

**Environmental Product Compliance**

REACH SVHC	Lead 7439-92-1
------------	----------------

**Control side**

Rated control voltage	24 V DC	Rated current DC	31.6 mA
Power rating	761 mW	Pull-in/drop-out voltage, typ.	16.8 V / 2.4 V DC
Coil resistance	1440 Ω ± 10 %	Status indicator	Green LED
Protective circuit	Free-wheeling diode		

**Load side**

Rated switching voltage	250 V AC	Continuous current	16 A @ .1) For full continuous current (16 A), relay connections 11-21, 12-22 and 14-24 must be bridged.
Max. switching frequency at rated load	0.1 Hz	Min. switching power	1 mA @ 24 V, 10 mA @ 12 V, 100 mA @ 5 V
Inrush current	30 A / 4 s	AC switching capacity (resistive), max.	4000 VA
DC switching capacity (resistive), max.	384 W @ 24 V	Switch-on delay	≤ 8 ms
Switch-off delay	≤ 6 ms	Contact material product selector	non-gold-plated contacts
Contact type	1 CO contact (AgNi)	Mechanical service life	AC coil 5 x 10 <sup>6</sup> switching cycles, DC coil 10 x 10 <sup>6</sup> switching cycles

**General data**

Rail	TS 35	Test button available	Yes
Mechanical switch position indicator	Yes	Colour	black

**RCIKITP 24VDC 1CO LD/PB****Weidmüller Interface GmbH & Co. KG**

Klingenbergstraße 26

D-32758 Detmold

Germany

www.weidmueller.com

**Technical data****Insulation coordination**

Rated voltage	250 V	Pollution severity	2
Surge voltage category	III	Insulating material group	IIIa
Clearance and creepage distances for control side - load side	≥ 8 mm	Dielectric strength for control side - load side	5 kV <sub>eff</sub> / 1min
Dielectric strength of open contact	1 kV <sub>eff</sub> / 1 min	Impulse withstand voltage	5 kV (1.2/50 μs)
Protection degree	IP20		

**Further details of approvals / standards**

Standards	DIN EN 50178	Certificate no. (CSA) relay	249409-2426937
Certificate no. (CSA) base	249409-2295474	Certificate No. (DNVGL)	TAA000011A
Certificate no. (cURus) relay	E224238	Certificate no. (cURus) base	E223759

**Connection data**

Wire connection method	PUSH IN	Stripping length, rated connection	12 mm
Clamping range, rated connection	1.5 Nm	Clamping range, min.	0.75 Nm
Clamping range, max.	1.5 Nm	Wire cross-section, solid, min.	0.75 Nm
Wire cross-section, solid, max.	1.5 Nm	Wire connection cross section, finely stranded, min.	0.75 Nm
Wire connection cross section, finely stranded, max.	1.5 Nm	Wire connection cross-section, finely stranded with wire-end ferrules DIN 46228/4, min.	0.75 Nm
Wire connection cross-section, finely stranded with wire-end ferrules DIN 46228/4, max.	0.75 Nm	Conductor cross-section, flexible, AEH (DIN 46228-1), min.	0.75 Nm
Conductor cross-section, flexible, AEH (DIN 46228-1), max.	1 Nm	Blade size	0.6 x 3.5 mm

**Classifications**

ETIM 6.0	EC001437	ETIM 7.0	EC001437
ETIM 8.0	EC001437	ECLASS 9.0	27-37-16-01
ECLASS 9.1	27-37-16-01	ECLASS 10.0	27-37-16-01
ECLASS 11.0	27-37-16-01		

**Important note**

Product information 1) For full continuous current (16 A), relay connections 11–21, 12–22 and 14–24 must be bridged.

**Approvals**

Approvals



ROHS

Conform

**RCIKITP 24VDC 1CO LD/PB**

**Weidmüller Interface GmbH & Co. KG**  
Klingenbergstraße 26  
D-32758 Detmold  
Germany

[www.weidmueller.com](http://www.weidmueller.com)

**Technical data****Downloads**

---

Approval/Certificate/Document of Conformity	<a href="#">EU Konformitätserklärung / EU Declaration of Conformity</a>
Engineering Data	<a href="#">STEP</a>
Engineering Data	<a href="#">EPLAN, WSCAD, Zuken E3.S</a>
Catalogues	<a href="#">Catalogues in PDF-format</a>
Brochures	

---

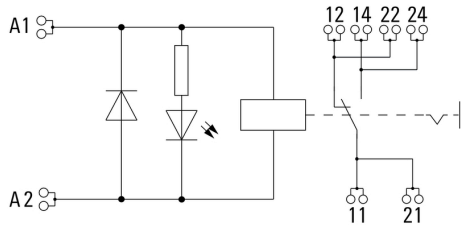
**RCIKITP 24VDC 1CO LD/PB**

**Weidmüller Interface GmbH & Co. KG**  
 Klingenbergstraße 26  
 D-32758 Detmold  
 Germany

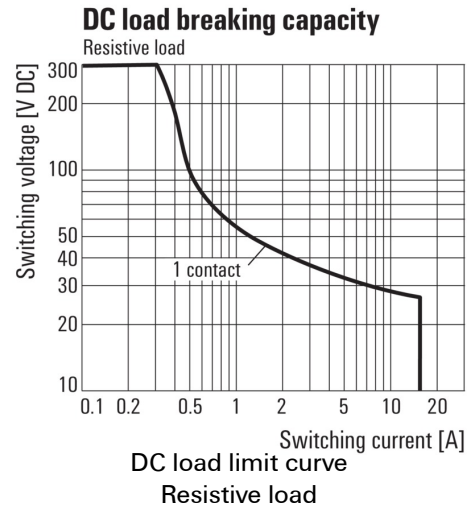
www.weidmueller.com

**Drawings**

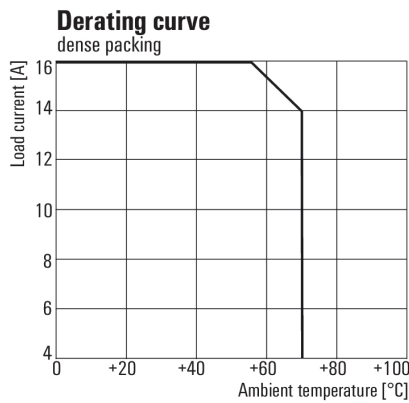
**Wiring diagram**



**Graph**



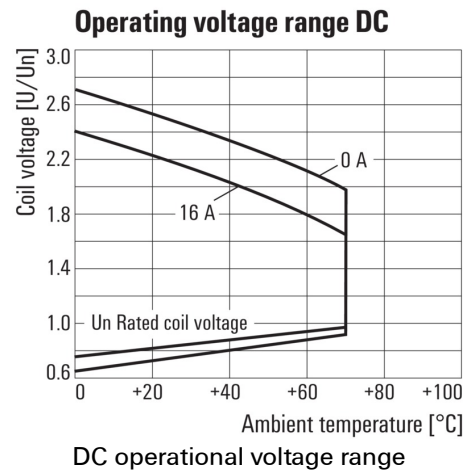
**Graph**



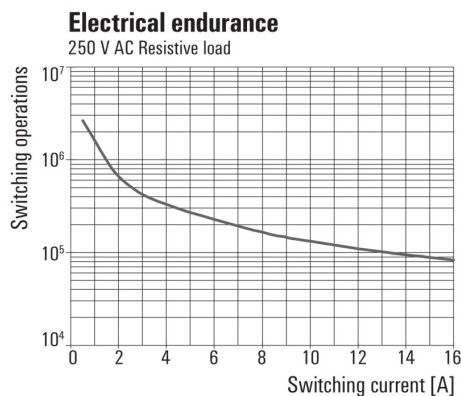
\* For full continuous current (16 A), socket connections 11-21, 12-22 and 14-24 must be bridged.

Derating curve  
 Relay in combination with base

**Graph**

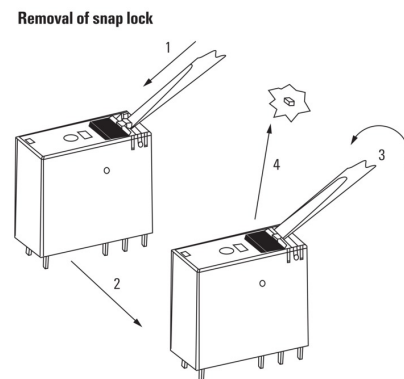


**Graph**



Electrical service life 250 V AC resistive load  
 250 V AC resistive load

**Dimensional drawing**



Detailed drawing  
 Removal of the test button detent lock

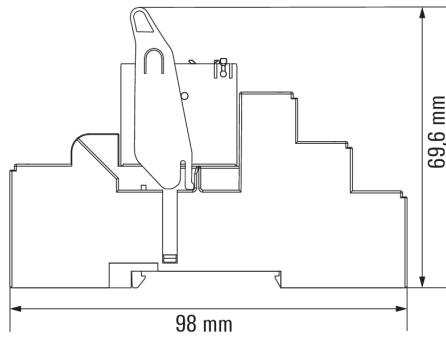
**RCIKITP 24VDC 1CO LD/PB**

**Weidmüller Interface GmbH & Co. KG**  
Klingenbergstraße 26  
D-32758 Detmold  
Germany

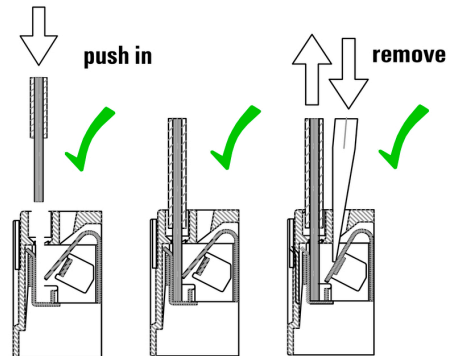
[www.weidmueller.com](http://www.weidmueller.com)

Drawings

Dimensional drawing



Correct handling PUSH IN connection



**Wrong handling PUSH IN connection**

