



FOSC-400G

Fiber Optic Closure with Multi-out Gel Seals

The FOSC-400G is a single-ended, environmentally sealed enclosure for fiber management in the outside plant network.

FOSC-400G closures have the same splice capacity as FOSC-400 closures and feature the same reliable and easy-to-use dome-to-base clamping system. The major difference between the closures is that the FOSC-400G's cable sealing terminations are done by using multi-out gel-sealing technology instead of heat shrink. This allows up to 16 cables to be sealed in a single round port. It is easy to remove cables, and gel seals are completely re-usable.

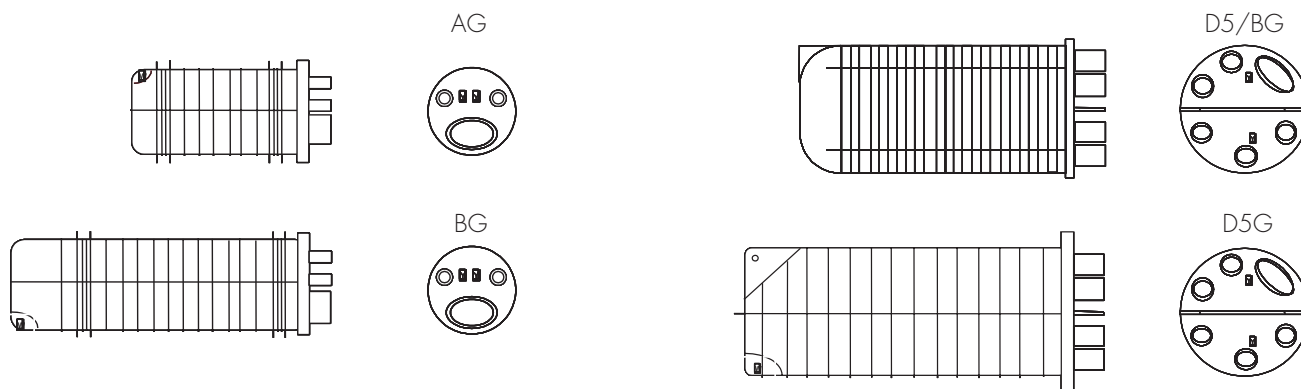
Features

- Single-ended design
- Available in 4 sizes
- Base and dome sealed with clamp and O-ring system
- 2 or 5 round cable ports
- Oval seals ordered separately
- FOSC splice trays hinged for access to any splice without disturbing other trays
- Compatible with most common cable types: e.g. loose tube, central core, slotted core, ribbon fiber
- Uncut or expressed loose tubes can be stored in storage baskets
- Closure can be used in aerial, pedestal and underground (up to 2 meters waterhead) environments

FOSC-400G

Fiber Optic Closure with Multi-out Gel Seals

Dimensions and Capacities



	AG	BG	D5/BG	D5G
Closure dimensions in mm				
Length	420	540	505	710
Ø (without clamp)	183	183	247	247
Ø (including clamp)	205	205	285	285

Type of splice tray	A 10-11.5mm thick	A 10-11.5mm thick	A 10-11.5mm thick	D 13 mm thick
Number of trays without storage basket	N/A	N/A	12	8
Number of trays with storage basket	2	6	N/A	6
Splice capacity	Fibers	Fibers	Fibers	Fibers
Single element splicing	48	144	288	768
Ribbon fiber splicing (12-fiber)	-	-	-	1152 ^(a)

^(a) Uses 4 FOSC D ribbon trays (288 splices/tray)

Number of ports and capacity

Oval ports	2 cables/port					
Minimum Ø	2x5mm					
Maximum Ø	2x15mm					
Round ports	1 cable/ port	2 cables/ port	3 cables/ port	4 cables/ port	8 cables/ port	16 cables/ port
Minimum Ø	1x11mm	2x8mm	3x6.5mm	4x4mm	8x3mm	16x0mm
Maximum Ø	1x14mm	2x11mm	3x8mm	4x7mm	8x5mm	16x3mm

FOSC-400G

Fiber Optic Closure with Multi-out Gel Seals

Ordering Information

FOSC-400 X - X - X - X X

Closure size

AG	420mm - 2 round ports
BG	540mm - 2 round ports
D5G	710mm - 5 round ports
D5/BG	505mm - 5 round ports

Tray type

NT	No trays		
Splices in splice protectors at tray exterior			
		AG,BG, D5/BG	D5G
S08	8 SMOUV splice protectors (45mm)	X	
S24	24 SMOUV splice protectors (45mm)	X	
A24	24 ANT splice protectors	X	
4R4	4 splice protectors for ribbon cable with 4 fibers	X	
2R12	2 splice protectors for ribbon cable with 12 fibers		X
Splices stored in modules at tray interior			
		AG,BG, D5/BG	D5G
12	12 splice protectors (2 modules, 6 splices/module)	X	
24	24 splice protectors (2 modules, 12 splices/module)	X	
36	36 splice protectors (6 modules, 6 splices/module)		X
S96	96 SMOUV splice protectors (45mm)		X
L96	96 SMOUV splice protectors (60mm)		X
A96	96 ANT splice protectors		X
RT24	24 splices for ribbon cable with 12 fibers (4 modules, 6 splices/module)		X

Flash test valve

V	Pre-installed flash test valve
N	No flash test valve

Ground feedthrough

G	Pre-installed ground feedthrough
N	No ground feedthrough




Number of splice trays

0	No trays
Closure size	
1...2	AG
1...6	BG
1...12	D5/BG
1...8	D5G

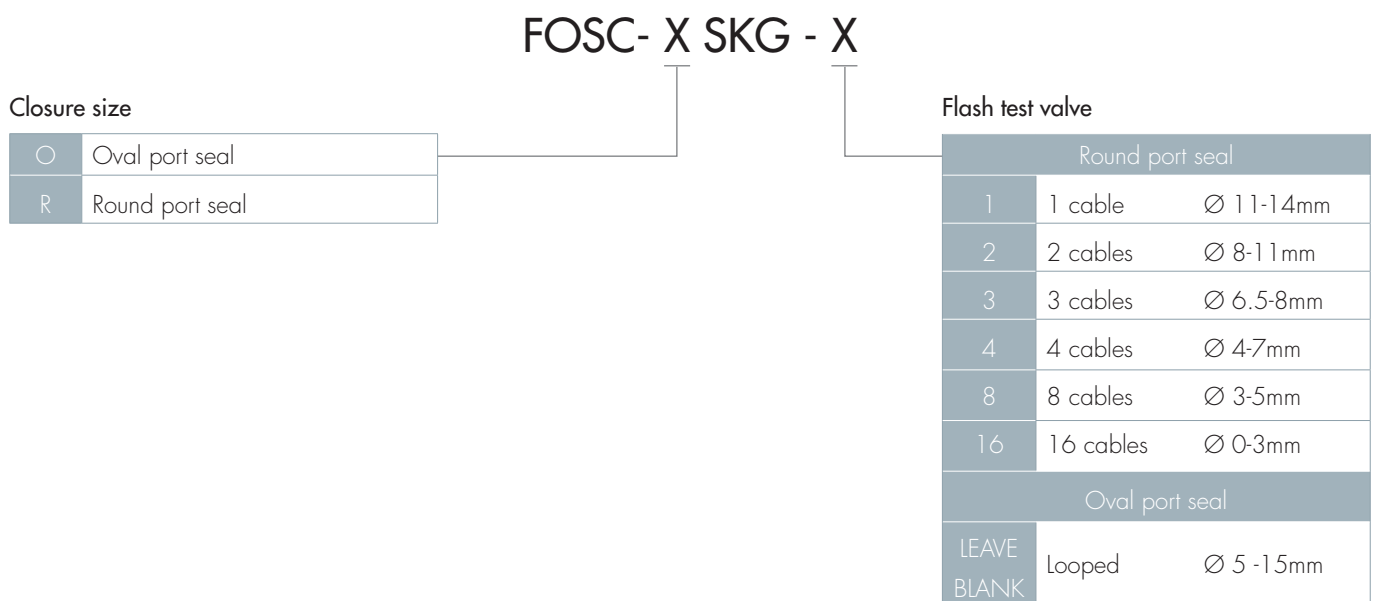
FOSC-400G

Fiber Optic Closure with Multi-out Gel Seals

ACCESSORIES

Description	Closure size	Ordering number	
Mounting brackets			
Vertical mounting in manhole/handhole	AG/BG	FOSC-A/B-MOBRA	
Pole or wall mounting	D5	FOSC-400D-POLE-MOUNT	
Work stand	All	FOSC-WORK-STAND	

Ordering Information Oval/Round Multi-Out Gel-Sealing Kits



For more technical options and order quantity information, please consult the product ordering guide or your local sales representative.



www.commscope.com

Visit our website or contact your local CommScope representative for more information.

© 2015 CommScope, Inc. All rights reserved.

FOSC, SMOUV and all trademarks identified by ® or ™ are registered trademarks or trademarks, respectively, of CommScope, Inc.

This document is for planning purposes only and is not intended to modify or supplement any specifications or warranties relating to CommScope products or services.

PS-318999-EU (09/15) revised from TC 1071/DS