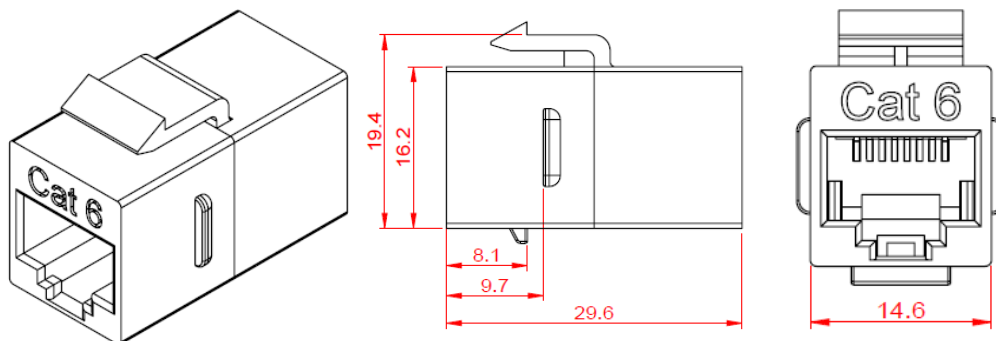




# Skjøt RJ45 Cat6 UTP Keystone



Cat 6 UTP skjøt for keystone montering.

## MATERIAL

COUPLER HOUSING : PC,UL94V-0.  
CONTACT HOLDER : ABS,UL94V-0.  
SPRING WIRE : PHOSPHOR BRONZE,50U" GOLD PLATED.

## ELECTRICAL

INSULATION RESISTANCE : 500 M $\Omega$ .  
DIELECTRIC WITHSTANDING VOLTAGE : 1000 V AC.  
DC CURRENT RATING : 1.5 Amps.  
DC RESISTANCE : 0.1 $\Omega$ .  
CONTACT RESISTANCE : 20m $\Omega$ .

## PHYSICAL CHARACTERISTICS

INSERTION LIFE : 750 MATING CYCLES WITH FCC COMPLIANT 8P PLUG.  
CONTACT FORCE : 100 GRAMS WITH FCC COMPLIANT 8P PLUG.  
PLUG RETENTION FORCE : 11 LBF MIN.  
OPERATING TEMPERATURE RANGE : -10°C TO 60°C.  
STORAGE TEMPERATURE RANGE : -40°C TO 68°C.  
HUMIDITY : 10%-90%RH.

## NOTE

- WILL NOT SUPPORT CHANNEL SHORTER THAN 15M.
- ONLY ACCEPT RJ-45 8P8C PLUG.

Molex art.nr	El.nr	Beskrivelse
O2100XQ-8-C6-BK	6909805	RJ45 skjøt Cat 6 UTP Sort
O2100XQ-8-C6-W4		RJ45 skjøt Cat 6 UTP Hvit