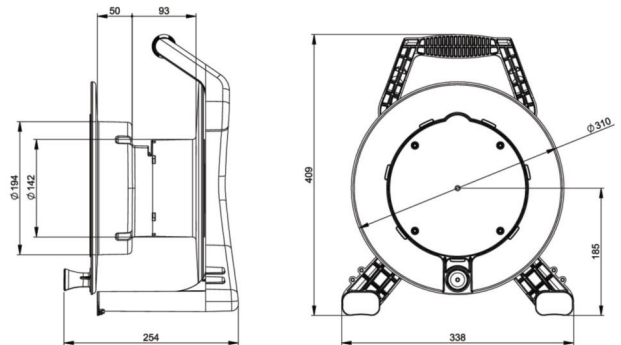


## PCE data sheet

article#	<b>9350202-p</b>
article description	<b>XREEL310 4xSSD54+L 40m3G2.5H07 K2</b>
description long	<p>Cable Reel XREEL310            Reel (black) with central, internal locking mechanism            Protected connecting area            Solid carrying rack (black) with ergonomic handle and            2 parking positions for the plug            Central plate with 4 pcs safety machine sockets national version with self-closing hinged lids and sealing edge (105-0bsw)            Rated operating voltage: 250V            Rated current: 16A            Protection rating: IP54            1 pcs power supply light            40m Black cable H07RN-F 3G2.5mm2            Taurus2 solid rubber plug 16A 2p+PE 2SL 250V IP54 (0522-sr)            XREEL310 installed ready for use            complies with RoHS directive 2011/65/EU            low voltage directive NSpRI 2014/35/EU            UV stability according ISO 4892-2            acc standard IEC/EN 61242            Protection rating complete system: IP54            Conform with BGI608 K2</p>
GTIN (EAN)	9003399323607
country of origin	PL
customs number	85444290
net weight	10.200 kg
packaging quantity	1

ETIM 7.0	EC000191
Housing material	Plastic
Cable assembly	H07RN-F
Core cross section	2.5 mm <sup>2</sup>
Number of cores	3
Number of socket outlets with protective contact (SCHUKO)	4
Type of mains connection	Protective contact (SCHUKO)
Cable length	40 m
With mounting frame	True
With thermal protection	True
With adjustment	True
Degree of protection (IP rating)	IP54
Colour	Black



[www.manufacturer-safety.info](http://www.manufacturer-safety.info)