

Anchoring clamp for ADSS cables ACADSSxx series

A 3-1 page 2



Function :

The ACADSS series of anchoring clamps allow an easy and quick securing of Ø 8 to 20 mm aerial circular fibre optic cables (ADSS) on short spans (up to 150 meters).



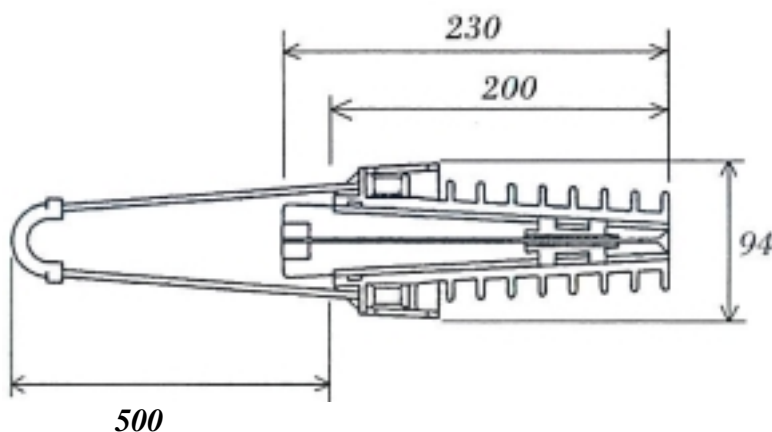
Tailor made products :

The ACADSS series is composed of different models of clamps offering a wide range of gripping capacities and mechanical resistance. This flexibility enables us to propose optimised and tailor made clamp designs depending on the cable constructions.

We request our customers to send us their ADSS cable technical pages as well as a 5 meters of cable for qualification of a specific clamp model on our tensile test bench.

Anchoring clamp	ADSS cable	
Clamp reference	Ø over outer sheath	Max. working load
ACADSS xx	8 to 17 mm	See cable technical page

Characteristics



Clamp reference	Material			Masse (kg)	Packaging
	Body	Wedges	Bail		
ACADSS xx	UV protected thermoplastic		Stainless steel	0,400	30 units