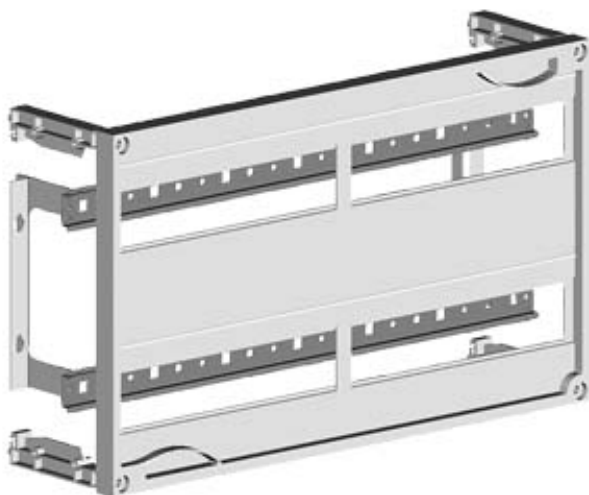


ALPHA 400/630 DIN MOUNTING KIT FOR INSTALLATION
MOUNT. DEVICE 150MM ROW DISTANCE,H=300 W=7



Similar to image

Technical data:

Accessories

others

Certificates/approvals:

General Product Approval

Declaration of Conformity

Test Certificates



GOST



EG-Konf.

[Type Test Certificates/Test Report](#)

Further information:

Information- and Downloadcenter (Catalogs, Brochures,...)

<http://www.siemens.com/lowvoltage/catalogs>

Industry Mall (Online ordering system)

<http://www.siemens.com/lowvoltage/mall>

Service&Support (Manuals, Certificates, Characteristics, FAQs,...)

<http://support.automation.siemens.com/WW/view/en/8GK4351-2KK32/all>

Image database (product images, 2D dimension drawings, 3D models, device circuit diagrams, ...)

http://www.automation.siemens.com/bilddb/cax_en.aspx?mlfb=8GK4351-2KK32

CAx-Online-Generator

<http://www.siemens.com/cax>

last change:

Mar 4, 2013