





ALPHA 400 DIN,  
WALL-MOUNTING DISTRIBUTOR,  
DELIVERY FORM FLAT PACK, AP-CUBICLE,  
RAL 9016, IP43 SK1, H=650 W=300 D=210

Similar to image

#### Technical data:

|   |    |                     |
|---|----|---------------------|
| <b>Height</b>   | mm | 650                 |
| <b>Width</b>  | mm | 300                 |
| <b>Depth</b>  | mm | 210                 |
| <b>Protection class IP</b>                                |    | IP43                |
| <b>Design of the cap/top cover</b>                        |    | closed              |
| <b>RAL color number</b>                                   |    | 9016                |
| <b>Mounting depth</b>                                     | mm | 210                 |
| <b>Surface processing</b>                                 |    | powder-coated       |
| <b>Acceptability for application / for outside use</b>    |    | No                  |
| <b>Material / of the enclosure</b>                        |    | sheet steel/plastic |
| <b>Product component / cable entry</b>                    |    | Yes                 |
| <b>Product component / Mounting plate</b>                 |    | No                  |
| <b>Product extension / optional / Sequence</b>            |    | Yes                 |
| <b>Suitability for interaction / lightning protection</b> |    | No                  |

#### Certificates/approvals:

| General Product Approval  | Declaration of Conformity   | Test Certificates                                  |
|---|---|--|
| <br>GOST | <br>EG-Konf. | <a href="#">Type Test Certificates/Test Report</a> |

#### Further information:

##### Information- and Downloadcenter (Catalogs, Brochures,...)

<http://www.siemens.com/lowvoltage/catalogs>

##### Industry Mall (Online ordering system)

<http://www.siemens.com/lowvoltage/mall>

##### Service&Support (Manuals, Certificates, Characteristics, FAQs,...)

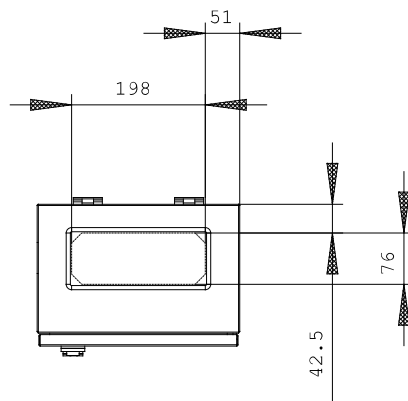
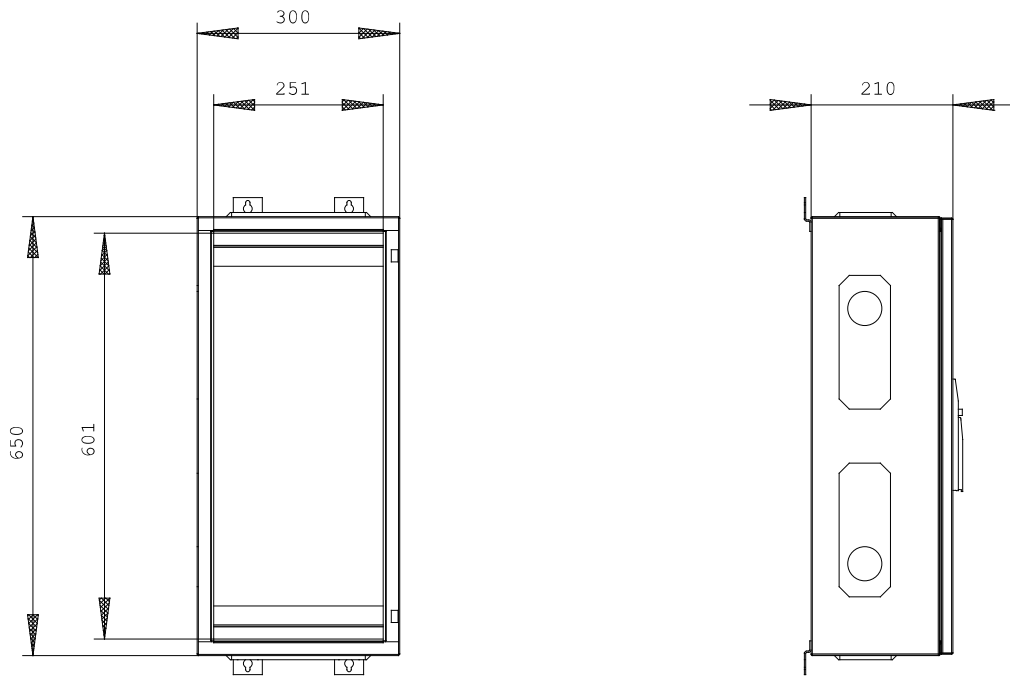
<http://support.automation.siemens.com/WW/view/en/8GK1102-2KK12/all>

##### Image database (product images, 2D dimension drawings, 3D models, device circuit diagrams, ...)

[http://www.automation.siemens.com/bilddb/cax\\_en.aspx?mlfb=8GK1102-2KK12](http://www.automation.siemens.com/bilddb/cax_en.aspx?mlfb=8GK1102-2KK12)

##### CAX-Online-Generator

<http://www.siemens.com/cax>



last change:

Oct 8, 2012