



SYNCHRONOUS TIME SWITCH DAY 1 CHANGEOVER  
CONT.230V/50HZ SURFACE MOUNTING

Similar to image

**Technical data:**

<b>Design of the switching function</b>		CO contact
<b>Type of voltage / of supply voltage</b>		AC
<b>Type of mounting</b>		others
<b>Number of channels</b>		1
<b>Protection class IP</b>		IP20
<b>Depth</b>	mm	34
<b>Height</b>	mm	110
<b>Width</b>	mm	69
<b>Switching capacity current / at 250 V / with AC / nominal value</b>	A	16
<b>Product feature / potential-free switching contact</b>		Yes
<b>Product function</b>		
• 24-hour time program		Yes
• direct operation		Yes
• 60 min time program		No
• annual time program		No
• Automatic daylight-saving adjustment		No
• Switching preselection		Yes
• Weekly time program		No

<b>Mode de fonctionnement</b>		
• synchronisation réseau		Yes
• commande piézo-électrique		No
<b>Plus petit intervalle de temps de commutation</b>		
• de la voie 1	min	30
<b>Échelle de temps</b>		
• du disque de programme 1	min	10
<b>Supply voltage frequency</b>		
• minimum	Hz	50
• maximum	Hz	50
<b>Supply voltage</b>		
• initial value	V	230
• final value	V	230

#### Certificates/approvals:

##### General Product Approval



##### other

[Environmental Confirmations](#)

#### Further information:

##### Information- and Downloadcenter (Catalogs, Brochures,...)

<http://www.siemens.com/lowvoltage/catalogs>

##### Industry Mall (Online ordering system)

<http://www.siemens.com/lowvoltage/mall>

##### Service&Support (Manuals, Certificates, Characteristics, FAQs,...)

<http://support.automation.siemens.com/WW/view/en/7LF5301-0/all>

##### Image database (product images, 2D dimension drawings, 3D models, device circuit diagrams, ...)

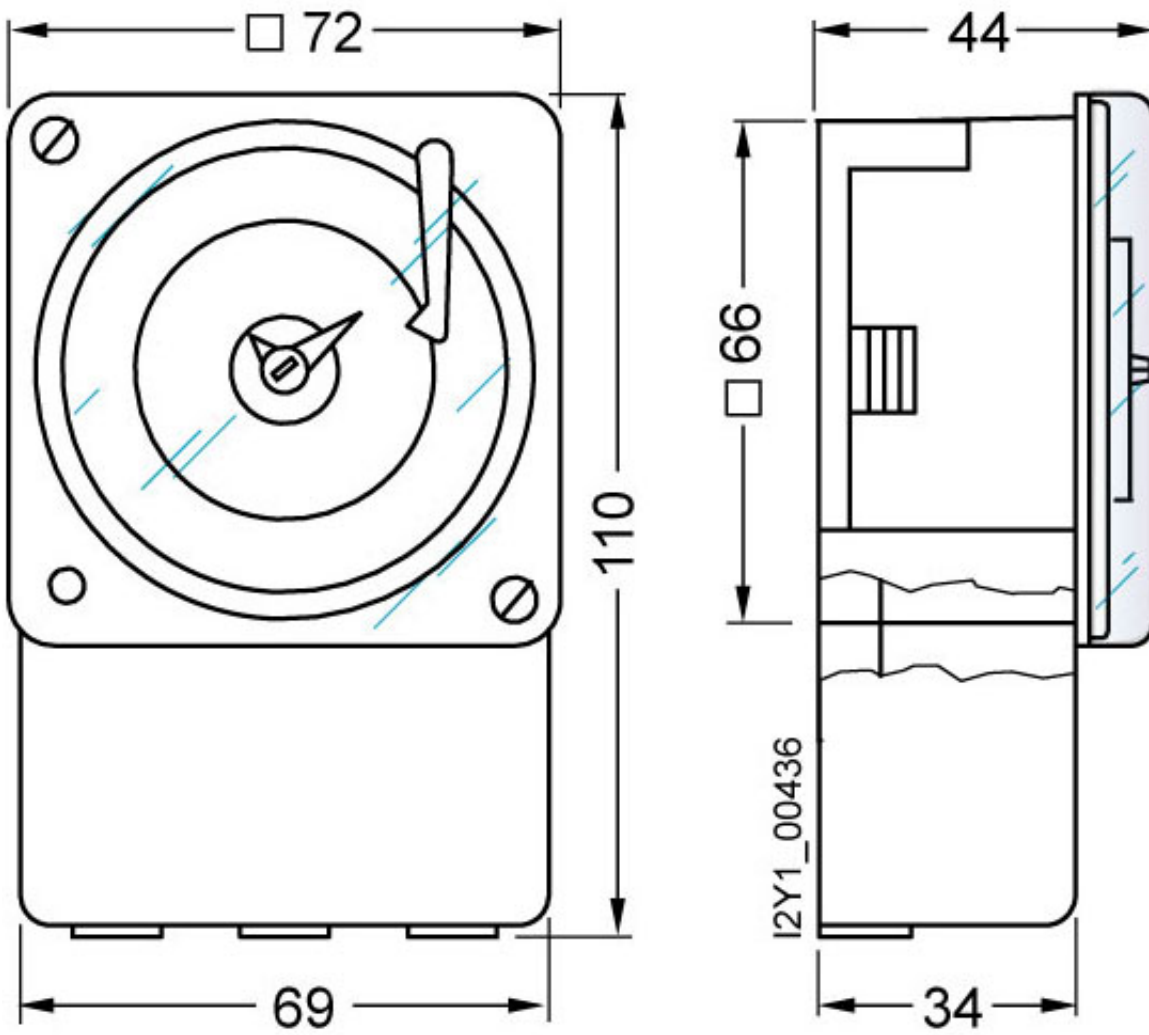
[http://www.automation.siemens.com/bilddb/cax\\_en.aspx?mlfb=7LF5301-0](http://www.automation.siemens.com/bilddb/cax_en.aspx?mlfb=7LF5301-0)

##### CAX-Online-Generator

<http://www.siemens.com/cax>

##### Tender specifications

[Datanorm](#) [GAEB81](#) [GAEB83](#) [RTF](#) [TXT](#)



last change:

Jul 1, 2013