

MACX MCR-EX-SL-RPSSI-I

Item No.: 2865340



<http://eshop.phoenixcontact.no/phoenix/treeViewClick.do?UID=2865340>

Ex-i repeater power supply and input isolation amplifier, HART. Sends fed or active 0/4-20 mA signals from the Ex area to a load (active or passive) to the safe area. Electrical 3-way isolation, SIL 2 in accordance with IEC 61508.



SIL 2

| Commercial data | |
|--------------------------|--------------------|
| EAN | 4046356160353 |
| Pack | 1 |
| Customs tariff | 85437090 |
| Catalog page information | Page 432 (IF-2009) |

Product notes

WEEE/RoHS-compliant since:
10.03.2008



Please note that the data given here has been taken from the online catalog. For comprehensive information and data, please refer to the user documentation at <http://www.download.phoenixcontact.com>. The General Terms and Conditions of Use apply to Internet downloads.

Technical data

| Measuring input | |
|----------------------------|-------------------|
| Current input signal | 0 mA ... 20 mA |
| | 4 mA ... 20 mA |
| Transmitter supply voltage | > 16 V (at 20 mA) |

Measurement output

| | |
|---------------------------------|--|
| Signal output | Current output |
| Current output signal | 0 mA ... 20 mA (active) |
| | 4 mA ... 20 mA (active) |
| | 0 mA ... 20 mA (passive, ext.Source voltage 14...26 V) |
| | 4 mA ... 20 mA (passive, ext.Source voltage 14...26 V) |
| Load/output load current output | < 600 Ω |

Power supply

| | |
|--------------------------|------------------------------|
| Nominal supply voltage | 24 V DC |
| Range of supply voltages | 19.2 V DC ... 30 V DC |
| Max. current consumption | < 60 mA (for 24 V DC) |
| Power consumption | < 1.1 W (At 24 V DC / 20 mA) |

Connection data

| | |
|--|---------------------|
| Conductor cross section solid min. | 0.2 mm ² |
| Conductor cross section solid max. | 2.5 mm ² |
| Conductor cross section stranded min. | 0.2 mm ² |
| Conductor cross section stranded max. | 2.5 mm ² |
| Conductor cross section AWG/kcmil min. | 24 |
| Conductor cross section AWG/kcmil max | 14 |
| Stripping length | 8 mm |
| Screw thread | M3 |
| Type of connection | Screw connection |
| Tightening torque, min | 0.5 Nm |
| Tightening torque max | 0.6 Nm |

General data

| | |
|---|--|
| No. of channels | 1 |
| Transmission error, max. | < 0.1 % (of end value) |
| Transmission error, typical | < 0.05 % (of end value) |
| Maximum temperature coefficient | < 0.01 %/K |
| Ambient temperature (operation) | -20 °C ... 60 °C (Any mounting position) |
| Ambient temperature (storage/transport) | -40 °C ... 80 °C |
| Permissible humidity (operation) | 10 % ... 95 % (no condensation) |
| Step response (10-90%) | < 600 μs (For jump 4 mA ... 20 mA) |
| Status display | Green LED (supply voltage) |

| | |
|------------------------------------|-------------------------------------|
| Width | 12.5 mm |
| Height | 99 mm |
| Depth | 114.5 mm |
| Inflammability class acc. to UL 94 | V0 |
| Housing material | polyamide (PA 6.6) |
| Color | green |
| Conformity | CE-compliant, additionally EN 61326 |
| ATEX | II (1) GD [Ex ia] IIC |
| | Ex II 3 (1GD) G Ex nA [ia] IIC T4 |
| IECEX | [Ex ia] IIC; Ex nA[ia] IIC T4 |
| UL, USA / Canada | UL applied for |
| Functional safety (SIL) | SIL 2 according to EN 61508 |

Data communication (bypass)

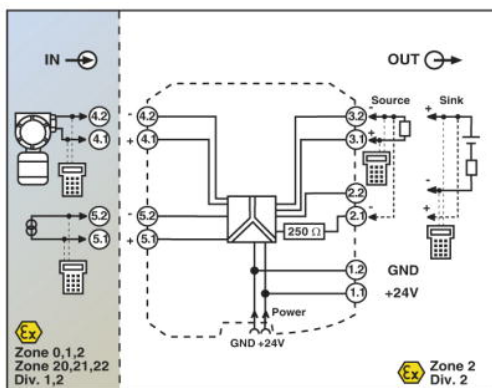
| | |
|---------------------|------|
| HART function | Yes |
| Protocols supported | HART |

Certificates

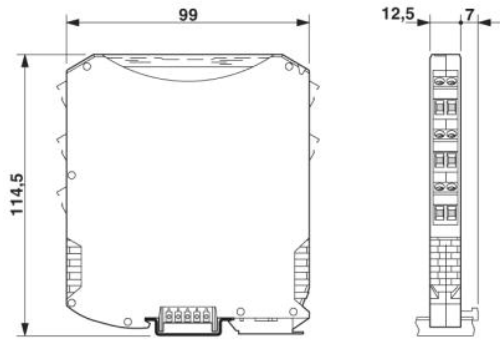
Certification Ex: IECEX

Drawings

Block diagram



Dimensioned drawing



Address

PHOENIX CONTACT AS
Strømsveien 344
N-1001 Oslo, Norway
Phone +47 22 07 68 00
Fax +47 22 07 68 10
<http://www.phoenixcontact.no>



Phoenix Contact AS
Technical modifications reserved;