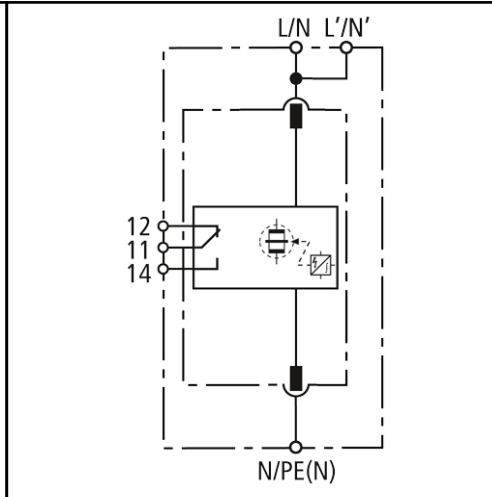


Dimension drawing DB M 1 ... FM



Basic circuit diagram DB M 1 ... FM



Consisting of a base part and plug-in protection modules

Maximum system availability due to RADAX Flow follow current limitation

No tripping of 20 A gL/gG fuses up to short-circuit currents of 50 kA_{rms}

Directly coordinated to DEHNguard surge protective devices without additional cable lengths

Double terminals for series connection

Multifunctional connection for conductors and busbars

Operating state/fault indication by mark in the inspection window

Easy replacement of protection modules without tools due to module locking system with release button

With remote signalling contact for monitoring systems (floating changeover contact)

DB M 1 ... FM: Single-pole modular coordinated lightning current arrester with high follow current limitation; with remote signalling contact for monitoring systems (floating changeover contact)

DB M 1 255 FM	
SPD according to EN 61643-11	Type 1
SPD according to IEC 61643-1	Class I
Max. continuous operating a.c. voltage [U _{C1}]	255 V
Lightning impulse current (10/350 μs) [I _{imp}]	50 kA
Specific energy [W/R]	625.00 kJ/ohms
Nominal discharge current (8/20 μs) [I _n]	50 kA
Voltage protection level [U _{P1}]	2.5 kV
Follow current extinguishing capability a.c. [I _{fl}]	50 kA _{rms}
Follow current limitation/Selectivity	no tripping of a 32 A gL/gG fuse up to 50 kA _{rms} (prosp.)
Response time [t _{A1}]	≤ 100 ns
Max. backup fuse (L) up to I _K = 50 kA _{rms} (t _a ≤ 0.2 s)	500 A gL/gG
Max. backup fuse (L) up to I _K = 50 kA _{rms} (t _a ≤ 5 s)	315 A gL/gG
Max. backup fuse (L) for I _K > 50 kA _{rms}	200 A gL/gG
Max. backup fuse (L-L')	125 A gL/gG
Temporary overvoltage (TOV) [U _{T1}]	440 V / 5 sec.
TOV characteristics	resistance
Operating temperature range (parallel connection) [T _{UP1}]	-40°C...+80°C
Operating temperature range (series connection) [T _{US}]	-40°C...+60°C
Operating state/fault indication	green / red
Number of ports	1
Cross-sectional area (L/N, L'/N', N/PE (N)) min.	10 mm ² solid/flexible

Cross-sectional area (L/N, N/PE(N)) max.	50 mm ² stranded/35 mm ² flexible
Cross-sectional area (L'/N') max.	35 mm ² stranded/25 mm ² flexible
For mounting on	35 mm DIN rail acc. to EN 60715
Enclosure material	thermoplastic, red, UL 94 V-0
Location category	indoor
Degree of protection	IP 20
Capacity	2 mods., DIN 4
Test standards	KEMA
Type of remote signalling contact	changeover contact
Switching capacity a.c.	250 V/0.5 A
Switching capacity d.c.	250 V/0.1 A; 125 V/0.2 A; 75 V/0.5 A
Cross-sectional area for remote signalling terminals	max. 1.5 mm ² solid/flexible
Ordering information	
Type	DB M 1 255 FM
Part No.	961 125
Packing unit	1 pce

We reserve the right to modify design, technology, dimensions, weights and materials according to technical progress. Illustrations are non-binding. Pictures may differ from the modules described.