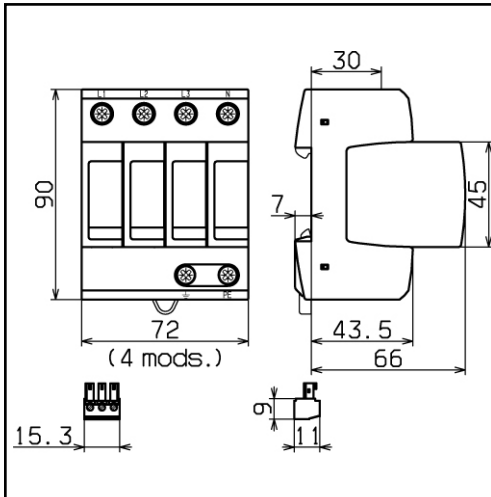
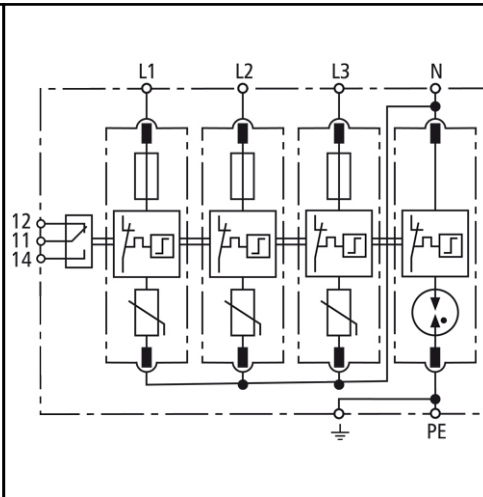


SPDS TYPE 2

DG M TT CI 275



Dimension drawing DG M TT CI ... FM



Basic circuit diagram DG M TT CI ... FM



DG M TT CI ... (FM): Modular surge arrester with integrated backup fuses for TT and TN-S systems ("3+1" circuits)

- Prewired complete unit for TT and TN-S systems consisting of a base part and plug-in protection modules with integrated backup fuses
- Energy coordination within the Red/Line family
- High discharge capacity due to powerful zinc oxide varistors / spark gaps
- High reliability due to "Thermo Dynamic Control" SPD monitoring device
- Operating state/fault indication of every protective path
- Multifunctional terminals for connecting conductors and busbars
- Easy replacement of protection modules without tools due to module locking system with module release button

DG M TT CI 275

SPD according to EN 61643-11	Type 2
SPD according to IEC 61643-1	Class II
Max. continuous operating a.c. voltage [L-N] $[U_{CI}]$	275 V
Max. continuous operating a.c. voltage [N-PE] $[U_{CI}]$	255 V
Nominal discharge current (8/20 μ s) [L-N] $[I_n]$	12.5 kA
Nominal discharge current (8/20 μ s) [N-PE] $[I_n]$	20 kA
Max. discharge current (8/20 μ s) [L-N] $[I_{max}]$	25 kA
Max. discharge current (8/20 μ s) [N-PE] $[I_{max}]$	40 kA
Lightning impulse current (10/350 μ s) [N-PE] $[I_{imp}]$	12 kA
Voltage protection level [L-N] $[U_{p1}]$	≤ 1.5 kV
Voltage protection level [L-N] at 5 kA $[U_{p1}]$	≤ 1 kV
Voltage protection level [N-PE] $[U_{p1}]$	≤ 1.5 kV
Follow current extinguishing capability [N-PE] $[I_{fl}]$	100 A_{rms}
Response time [L-N] $[t_A]$	≤ 25 ns
Response time [N-PE] $[t_A]$	≤ 100 ns
Max. mains-side overcurrent protection	not required
Short-circuit withstand capability	25 kA_{rms}
Temporary overvoltage (TOV) [L-N] $[U_{T1}]$	335 V / 5 sec.
Temporary overvoltage (TOV) [N-PE] $[U_{T1}]$	1200 V / 200 ms
TOV characteristics	withstand
Operating temperature range $[T_{U1}]$	-40°C...+80°C
Operating state/fault indication	green / red
Cross-sectional area (min.)	1.5 mm ² solid/flexible
Cross-sectional area (max.)	35 mm ² stranded/25 mm ² flexible
For mounting on	35 mm DIN rail acc. to EN 60715

Enclosure material	thermoplastic, red, UL 94 V-0
Degree of protection	IP 20
Capacity	4 mod., DIN 43
Approvals, Certifications	KEMA
Ordering information	
Type	DG M TT CI 275
Part No.	952 322
Packing unit	1 pce

We reserve the right to modify design, technology, dimensions, weights and materials according to technical progress. Illustrations are non-binding. Pictures may differ from the modules described.