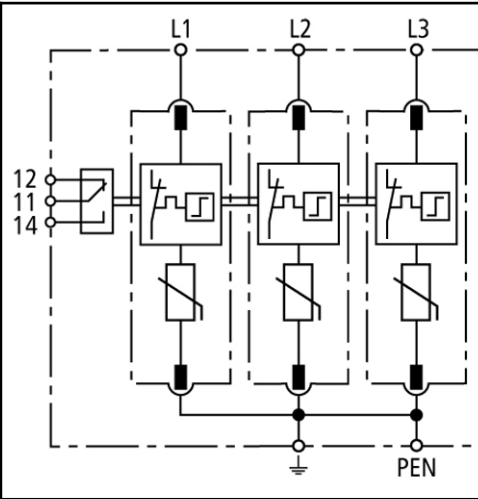


Dimension drawing DG M TNC ... FM



Basic circuit diagram DG M TNC ... FM



DG M TNC ... (FM): Modular surge arrester for use in TN-C systems

- Complete prewired unit for use in TN-C systems, consisting of a base part and plug-in protection modules
- Energy-coordinated within the Red/Line product family
- High discharge capacity due to powerful zinc oxide varistors
- High reliability due to "Thermo Dynamic Control" SPD monitoring device
- Operating state/fault indication of every protective circuit
- Multifunctional terminals for connecting conductors and busbars
- Allows for easy replacing of protection modules without tools by module locking system with releasing button
- Tested for vibration- and shock-proofness acc. to EN 60068-2

DG M TNC 275 FM

SPD according to EN 61643-11	Type 2
SPD according to IEC 61643-1	Class II
Nominal a.c. voltage [U _N]	230/400 V
Max. continuous operating a.c. voltage [U _C]	275 V
Nominal discharge current (8/20 μs) [I _n]	20 kA
Max. discharge current (8/20 μs) [I _{max}]	40 kA
Voltage protection level [U _p]	≤ 1.25 kV
Voltage protection level for 5 kA [U _p]	≤ 1 kV
Response time [t _A]	≤ 25 ns
Max. mains-side overcurrent protection	125 A gL/gG
Short circuit withstand capability for max. mains-side overcurrent protection	50 kA _{rms}
Temporary overvoltage (TOV) [U _T]	335 V / 5 sec.
Operating temperature range [T _U]	-40°C...+80°C
Operating state/fault indication	green / red
Cross-sectional area (min.)	1.5 mm ² solid/flexible
Cross-sectional area (max.)	35 mm ² stranded/25 mm ² flexible
For mounting on	35 mm DIN rail acc. to EN 60715
Enclosure material	red thermoplastic, UL 94 V-0
Degree of protection	IP 20
Dimension	3 mods., DIN 4
Approvals, Certifications	KEMA, VDE, UL, VdS
Type of remote signalling contact	changeover contact

Switching capacity a.c.	250 V/0.5 A
Switching capacity d.c.	250 V/0.1 A; 125 V/0.2 A; 75 V/0.5 A
Cross-sectional area for remote signalling terminals	max. 1.5 mm ² solid/flexible
Ordering information	
Type	DG M TNC 275 FM
Part No.	952 305
Packing unit	1 pcs.

We reserve the right to modify design, technology, dimensions, weights and materials according to technical progress. Illustrations are non-binding. Pictures may differ from the modules described.