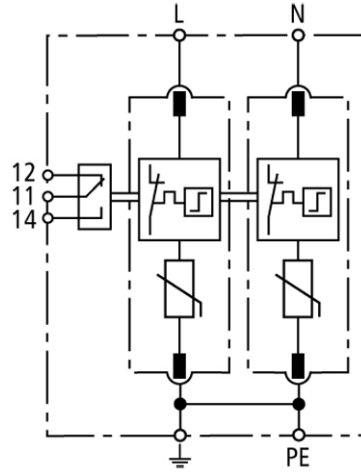


Dimension drawing DG M TN ... FM



Basic circuit diagram DG M TN ... FM



Prewired complete unit for use in single-phase 230 V TN systems consisting of a base part and plug-in protection modules

Energy coordination within the Red/Line product family

High discharge capacity due to heavy-duty zinc oxide varistors

High reliability due to "Thermo Dynamic Control" SPD monitoring device

Operating state/fault indication for every protective circuit

Multifunctional terminals for connecting conductors and busbars

Easy replacement of protection modules without tools due to module locking system with module release button

Vibration- and shock-tested acc. to EN 60068-2

DG M TN ... FM: Modular surge arrester for use in single-phase TN systems; with floating remote signalling contact

DG M TN 275 FM

SPD according to EN 61643-11	Type 2
SPD according to IEC 61643-1	Class II
Nominal a.c. voltage [U _N]	230 V
Max. continuous operating a.c. voltage [U _C]	275 V
Nominal discharge current (8/20 μs) [I _n]	20 kA
Max. discharge current (8/20 μs) [I _{max}]	40 kA
Voltage protection level [U _p]	≤ 1.25 kV
Voltage protection level at 5 kA [U _p]	≤ 1 kV
Response time [t _A]	≤ 25 ns
Max. mains-side overcurrent protection	125 A gL/gG
Short-circuit withstand capability for max. mains-side overcurrent protection	50 kA _{rms}
Temporary overvoltage (TOV) [U _T]	335 V / 5 sec.
TOV characteristics	withstand
Operating temperature range [T _U]	-40°C...+80°C
Operating state/fault indication	green / red
Number of ports	1
Cross-sectional area (min.)	1.5 mm ² solid/flexible
Cross-sectional area (max.)	35 mm ² stranded/25 mm ² flexible
For mounting on	35 mm DIN rail acc. to EN 60715
Enclosure material	thermoplastic, red, UL 94 V-0
Location category	indoor
Degree of protection	IP 20
Capacity	2 mods., DIN 43880

Approvals, Certifications	KEMA, VDE, UL, VdS
Type of remote signalling contact	changeover contact
Switching capacity a.c.	250 V/0.5 A
Switching capacity d.c.	250 V/0.1 A; 125 V/0.2 A; 75 V/0.5 A
Cross-sectional area for remote signalling terminals	max. 1.5 mm ² solid/flexible
Ordering information	
Type	DG M TN 275 FM
Part No.	952 205
Packing unit	1 pc

We reserve the right to modify design, technology, dimensions, weights and materials according to technical progress. Illustrations are non-binding. Pictures may differ from the modules described.