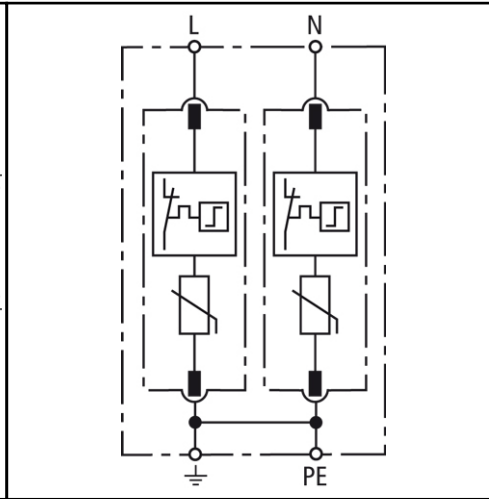
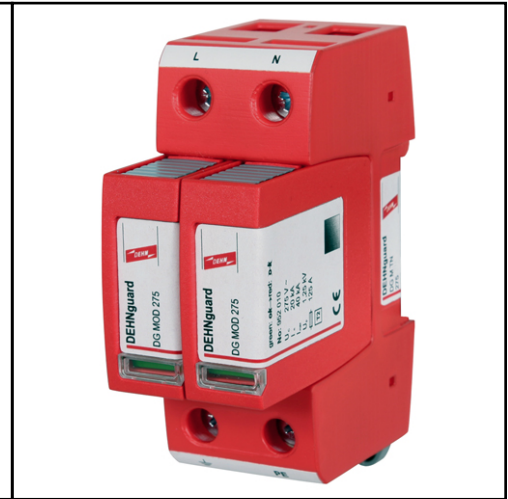


Dimension drawing DG M TN ...



Basic circuit diagram DG M TN ...



**Prewired complete unit for single-phase 230 V TN systems consisting of a base part and plug-in protection modules**

**Energy coordination within the Red/Line product family**

**High discharge capacity due to powerful zinc oxide varistors**

**High reliability due to "Thermo Dynamic Control" SPD monitoring device**

**Operating state / fault indication of every protective circuit**

**Multifunctional terminals for connecting conductors and busbar connection**

**Easy replacement of protection modules without the use of tools due to module locking system with module release button**

**Tested for vibration- and shock-proofness acc. to EN 60068-2**

DG M TN ... : Modular surge arrester for single-phase 230 V TN systems

| DG M TN 275   |   |
|---|---|
| Type of SPD according to EN 61643-11  | Type 2  |
| SPD according to IEC 61643-1  | Class II  |
| Nominal a.c. voltage [U <sub>N</sub> ]  | 230 V   |
| Max. continuous operating a.c. voltage [U <sub>C</sub> ]                      | 275 V   |
| Nominal discharge current (8/20 μs) [I <sub>n</sub> ]                         | 20 kA   |
| Max. discharge current (8/20 μs) [I <sub>max</sub> ]                          | 40 kA   |
| Voltage protection level [U <sub>p</sub> ]                                    | ≤ 1.25 kV   |
| Voltage protection level at 5 kA [U <sub>p1</sub> ]                           | ≤ 1 kV  |
| Response time [t <sub>A</sub> ]   | ≤ 25 ns   |
| Max. mains-side overcurrent protection  | 125 A gL/gG   |
| Short circuit withstand capability for max. mains-side overcurrent protection | 50 kA <sub>rms</sub>                                    |
| Temporary overvoltage (TOV) [U <sub>T</sub> ]                                 | 335 V / 5 sec.  |
| TOV characteristics   | resistance  |
| Operating temperature range [T <sub>U</sub> ]                                 | -40°C...+80°C   |
| Operating state/fault indication  | green / red   |
| Cross-sectional area (min.)   | 1.5 mm <sup>2</sup> solid/flexible                      |
| Cross-sectional area (max.)   | 35 mm <sup>2</sup> stranded/25 mm <sup>2</sup> flexible |
| For mounting on   | 35 mm DIN rail acc. to EN 60715                         |
| Enclosure material  | thermoplastic, red, UL 94 V-0                           |
| Degree of protection  | IP 20   |
| Dimension   | 2 mod., DIN 4   |
| Approvals, Certifications   | KEMA, VDE, UL, VdS                                      |

**Ordering information**

|              |                |
|--------------|----------------|
| Type         | DG M TN 275    |
| Part No.     | <b>952 200</b> |
| Packing unit | 1 pce          |

We reserve the right to modify design, technology, dimensions, weights and materials according to technical progress. Illustrations are non-binding. Pictures may differ from the modules described.