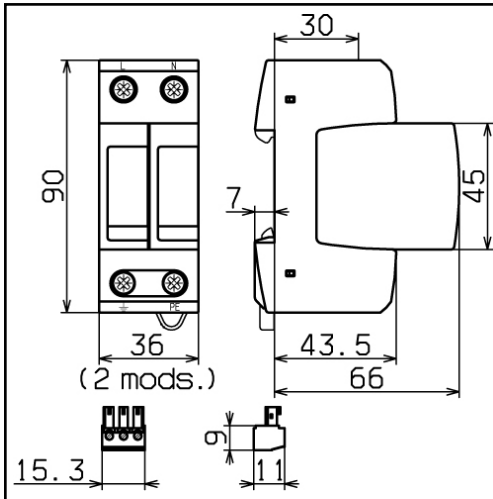
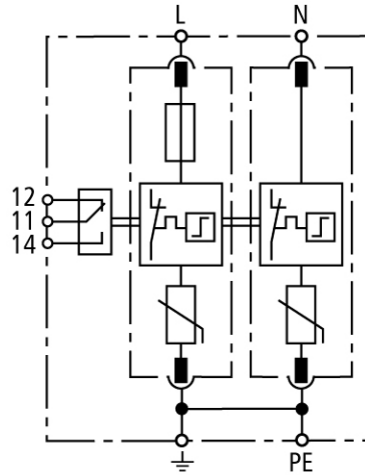


SPDS TYPE 2

DG M TN CI 275 FM



Dimension drawing DG M TN CI ... FM



Basic circuit diagram DG M TN CI ... FM



DG M TN CI ... (FM): Modular surge arrester with integrated backup fuses for single-phase 230 V TN systems

- Prewired complete unit for single-phase 230 V TN systems consisting of a base part and plug-in protection modules with integrated backup fuses
- Energy coordination within the Red/Line family
- High discharge capacity due to powerful zinc oxide varistors
- High reliability due to "Thermo Dynamic Control" SPD monitoring device
- Operating state/fault indication of every protective path
- Multifunctional terminals for connecting conductors and busbars
- Easy replacement of protection modules without tools due to module locking system with module release button

DG M TN CI 275 FM	
SPD according to EN 61643-11	Type 2
SPD according to IEC 61643-1	Class II
Max. continuous operating a.c. voltage [U _{cl}]	275 V
Nominal discharge current (8/20 μs) [I _n]	12.5 kA
Max. discharge current (8/20 μs) [I _{max}]	25 kA
Voltage protection level [U _{p1}]	≤ 1.5 kV
Voltage protection level at 5 kA [U _{p1}]	≤ 1 kV
Response time [t _{A1}]	≤ 25 ns
Max. mains-side overcurrent protection	not required
Short-circuit withstand capability	25 kA _{rms}
Temporary overvoltage (TOV) [U _{T1}]	335 V / 5 sec.
TOV characteristics	withstand
Operating temperature range [T _{U1}]	-40°C...+80°C
Operating state/fault indication	green / red
Cross-sectional area (min.)	1.5 mm ² solid/flexible
Cross-sectional area (max.)	35 mm ² stranded/25 mm ² flexible
For mounting on	35 mm DIN rail acc. to EN 60715
Enclosure material	thermoplastic, red, UL 94 V-0
Degree of protection	IP 20
Capacity	2 mod., DIN 43
Approvals, Certifications	KEMA
Type of remote signalling contact	changeover contact
Switching capacity a.c.	250 V/0.5 A
Switching capacity d.c.	250 V/0.1 A; 125 V/0.2 A; 75 V/0.5 A

Cross-sectional area for remote signalling terminals

max. 1.5 mm² solid/flexible

Ordering information

Type DG M TN CI 275 FM

Part No. **952 178**

Packing unit 1 pce

We reserve the right to modify design, technology, dimensions, weights and materials according to technical progress. Illustrations are non-binding. Pictures may differ from the modules described.