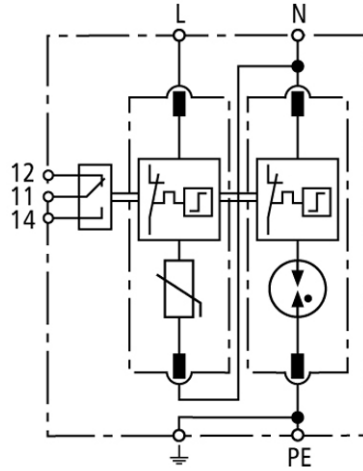


Dimension drawing DG M TT 2P ... FM



Basic circuit diagram DG M TT 2P ... FM



DG M TT 2P ... FM: Modular surge arrester for single-phase 230 V TT and TN systems ("1+1" circuit); with floating remote signalling contact

- **Prewired complete unit for single-phase 230 V TT and TN systems consisting of a base part and plug-in protection modules**
- **Energy coordination within the Red/Line product family**
- **High discharge capacity due to powerful zinc oxide varistors / spark gaps**
- **High reliability due to "Thermo Dynamic Control" monitoring device**
- **Operating state/fault indication of every protective circuit**
- **Multifunctional terminal for connecting conductors and busbars**
- **Easy replacement of protection modules without tools due to module locking system with module release button**
- **Vibration- and shock-tested in accordance with EN 60068-2**

DG M TT 2P 275 FM

Type of SPD according to EN 61643-11	Type 2
SPD according to IEC 61643-1	Class II
Nominal a.c. voltage [U _N]	230 V
Max. continuous operating a.c. voltage [L-N] [U _C]	275 V
Max. continuous operating a.c. voltage [N-PE] [U _C]	255 V
Nominal discharge current (8/20 μs) [I _n]	20 kA
Max. discharge current (8/20 μs) [I _{max}]	40 kA
Lightning impulse current (10/350 μs) [N-PE] [I _{imp}]	12 kA
Voltage protection level [L-N] [U _{p1}]	≤ 1.25 kV
Voltage protection level [L-N] for 5 kA [U _{p1}]	≤ 1 kV
Voltage protection level [N-PE] [U _{p1}]	≤ 1.5 kV
Follow current extinguishing capability [N-PE] [I _η]	100 A _{rms}
Response time [L-N] [t _{A1}]	≤ 25 ns
Response time [N-PE] [t _{A1}]	≤ 100 ns
Max. mains-side overcurrent protection	125 A gL/gG
Short circuit withstand capability for max. mains-side overcurrent protection	50 kA _{rms}
Temporary overvoltage (TOV) [L-N] [U _{T1}]	335 V / 5 sec.
Temporary overvoltage (TOV) [N-PE] [U _{T1}]	1200 V / 200 ms
TOV characteristics	resistance
Operating temperature range [T _{U1}]	-40°C...+80°C
Operating state/fault indication	green / red
Cross-sectional area (min.)	1.5 mm ² solid/flexible

Cross-sectional area (max.)	35 mm ² stranded/25 mm ² flexible
For mounting on	35 mm DIN rail acc. to EN 60715
Enclosure material	red thermoplastic, UL 94 V-0
Degree of protection	IP 20
Dimension	2 mods., DIN 4
Approvals, Certifications	KEMA, VDE, UL, VdS
Type of remote signalling contact	changeover contact
Switching capacity a.c.	250 V/0.5 A
Switching capacity d.c.	250 V/0.1 A; 125 V/0.2 A; 75 V/0.5 A
Cross-sectional area for remote signalling terminals	max. 1.5 mm ² solid/flexible
Ordering information	
Type	DG M TT 2P 275 FM
Part No.	952 115
Packing unit	1 pce

We reserve the right to modify design, technology, dimensions, weights and materials according to technical progress. Illustrations are non-binding. Pictures may differ from the modules described.