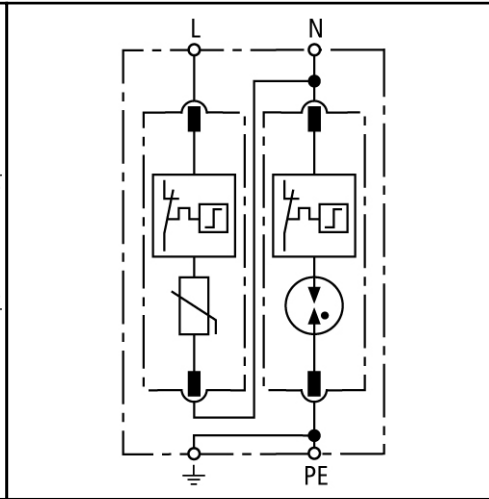


Dimension drawing DG M TT 2P ...



Basic circuit diagram DG M TT 2P ...



DG M TT 2P ... : Modular surge arrester for single-phase 230 V TT and TN systems ("1+1" circuits)

- **Prewired complete unit for single-phase 230 V TT and TN systems consisting of a base part and plug-in protection modules**
- **Energy coordination within the Red/Line product family**
- **High discharge capacity due to powerful zinc oxide varistors / spark gaps**
- **High reliability due to "Thermo Dynamic Control" SPD monitoring device**
- **Operating state / fault indication of every protective circuit**
- **Multifunctional terminals for connecting conductors and busbar connection**
- **Easy replacement of protection modules without the use of tools due to module locking system by means of module release button**
- **Tested for vibration- and shock-proofness acc. to EN 60068-2**

DG M TT 2P 275

Type of SPD according to EN 61643-11	Type 2
SPD according to IEC 61643-1	Class II
Nominal a.c. voltage [U _N]	230 V
Max. continuous operating a.c. voltage [L-N] [U _C]	275 V
Max. continuous operating a.c. voltage [N-PE] [U _C]	255 V
Nominal discharge current (8/20 μs) [I _n]	20 kA
Max. discharge current (8/20 μs) [I _{max}]	40 kA
Lightning impulse current (10/350 μs) [N-PE] [I _{imp}]	12 kA
Voltage protection level [L-N] [U _{p1}]	≤ 1.25 kV
Voltage protection level [L-N] for 5 kA [U _{p1}]	≤ 1 kV
Voltage protection level [N-PE] [U _{p1}]	≤ 1.5 kV
Follow current extinguishing capability [N-PE] [I _η]	100 A _{rms}
Response time [L-N] [t _A]	≤ 25 ns
Response time [N-PE] [t _A]	≤ 100 ns
Max. mains-side overcurrent protection	125 A gL/gG
Short circuit withstand capability for max. mains-side overcurrent protection	50 kA _{rms}
Temporary overvoltage (TOV) [L-N] [U _T]	335 V / 5 sec.
Temporary overvoltage (TOV) [N-PE] [U _T]	1200 V / 200 ms
TOV characteristics	resistance
Operating temperature range [T _U]	-40°C...+80°C
Operating state/fault indication	green / red
Cross-sectional area (min.)	1.5 mm ² solid/flexible

Cross-sectional area (max.)	35 mm ² stranded/25 mm ² flexible
For mounting on	35 mm DIN rail acc. to EN 60715
Enclosure material	red thermoplastic, UL 94 V-0
Degree of protection	IP 20
Dimension	2 mods., DIN 4
Approvals, Certifications	KEMA, VDE, UL, VdS
Ordering information	
Type	DG M TT 2P 275
Part No.	952 110
Packing unit	1 pce

We reserve the right to modify design, technology, dimensions, weights and materials according to technical progress. Illustrations are non-binding. Pictures may differ from the modules described.